

## A171.8-UG Series

### BASE MODEL A171108F-UG

BARRIER FREE, WALL MOUNTED  
WATER COOLER

#### STANDARD FEATURES

- Rough-Ins Match Other Manufacturer's for Easy Replacement
- EZ Door<sup>®</sup> Filter, 30-Second Filter Replacement Option
- Lead-Free
- Apron and One-Piece Bottom Wrapper in #4 Satin Or Gray Powder Coat Finish
- Child or Adult ADA Compliant (When Properly Installed)
- Flexible, Low Flow, Anti-Microbial, Anti-Rotation, Non-Squirt Bubbler
- 100-Mesh Inlet Strainer
- Auto-Stop Allows Cartridge And Strainer Service Without Shutting Off Water Supply

#### SUGGESTED SPECIFICATIONS

Model A171108F-UG is a self-contained, pressurized Water Cooler that delivers a minimum of **8.0 GPH** (30.3 LPH) of water at 50°F (10°C) cooled from 80°F (26.7°C) inlet water and 90°F (32.2°C) ambient. Unit shall be activated from an Anti-Microbial front Pushbutton using less than 5 pounds of force. Bubbler shall deliver a 0.3 GPM flow, have an Anti-Microbial Flexible Guard with an integrally designed Non-Squirt feature and operate on a water pressure range of 20-105 PSIG. Basin shall be constructed from 304 Stainless Steel and have an Integral Drain. Cabinet shall be either Galvanized or Galvannealed Steel with Gray Powder Coat Finish or Stainless Steel with Satin Finish. Cooling system shall use R-134a Refrigerant and be Capillary Tube regulated. Unit shall be listed by Underwriters Laboratories for both the US and Canada and is to be compliant to ANSI/ASHRAE 18. Unit shall be certified to Public Law 111-380 (NO-LEAD) and NSF/ANSI/CAN 61. Fixture shall meet ADA, ADA Standing Person, and ADA Child requirements when mounted appropriately. Unit shall still deliver ambient water temperature to the Bubbler in the absence of electrical power as long as there is a pressurized water supply.

Model Number	GPH*	Rated Watts	Full Load Amps	Approx. Shipping Weight
A171108F-UG	8.0	335	4.1	82 lbs.

\* GPH of 50°F water at 90°F ambient room temperature and 80°F inlet water temperature  
Compressor motor operates on 115 Volt / 60 Hz single phase.

Complies with the following standards:



NSF/ANSI/CAN 61



ANSI/ASHRAE 18



**WARNING:** Cancer and Reproductive Harm - [www.P65Warnings.ca.gov](http://www.P65Warnings.ca.gov)



Model A171108F-UG Shown  
PATENT# 10,100,933



**Maintenance Advantage<sup>®</sup>**  
Water Cooler by Murdock Manufacturing

**"RATED FOR INDOOR USE ONLY"**

#### MODEL:

(Must Specify)

#### FLEXIBLE BUBBLER

- A171108F-UG Gray Finish (Standard - Shown)
- A171408F-UG Satin Stainless Finish

#### STAINLESS STEEL BUBBLER

- A171108S-UG Gray Finish
- A171408S-UG Satin Stainless Finish

#### OPTIONS:

(Additional costs may apply.)

- LOGO Customer Specified Logo / Graphics
- 220V 220 Volt / 50 Hz or 60Hz Compressor

#### ACCESSORIES:

(Additional costs may apply. Accessory items are packaged separately.)

- WF1EZ 1500-Gallon Capacity EZ Door<sup>®</sup> Filter<sup>1</sup>  
30-Second Replacement (Patent Pending)
- WF3 3000-Gallon Capacity Water Filter<sup>1</sup>

#### NOTES:

1 - Refer to Supplemental Submittal Sheet for Details.

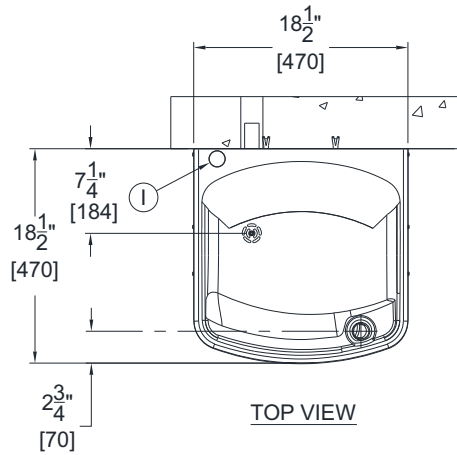
#### Compatible Mounting Support Carrier

Jay R. Smith Mfg. Co. Figure # 0830 <https://www.JRSmith.com>

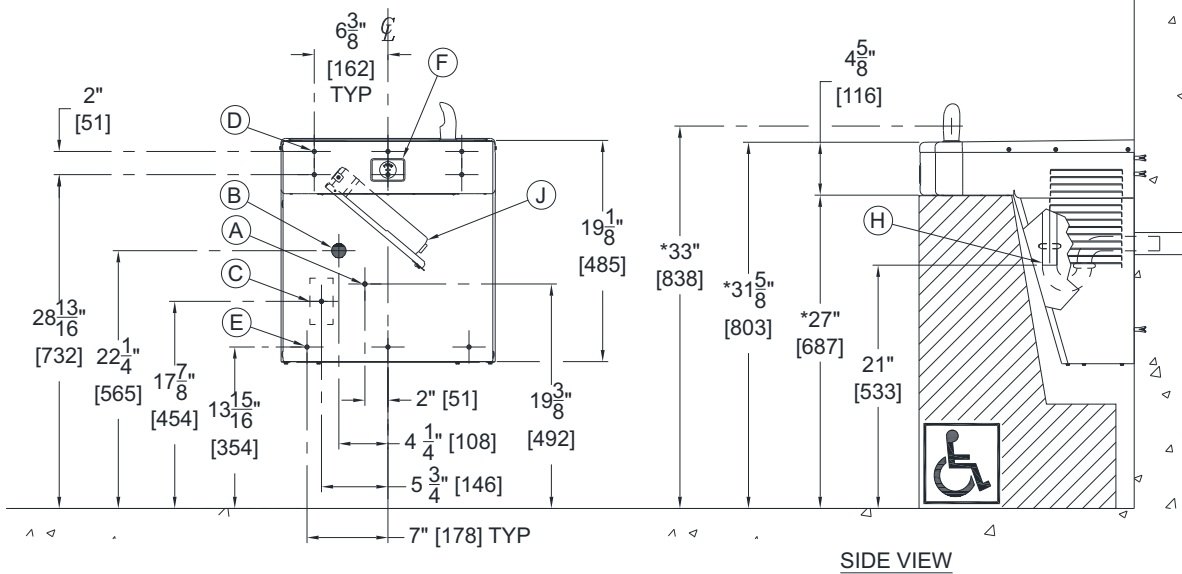
**A171.8-UG Series**

**BASE MODEL A171108F-UG**

**BARRIER FREE, WALL MOUNTED  
WATER COOLER**



- A. 3/8" O.D. SUPPLY INLET
- B. WASTE OUTLET FOR P-TRAP BY OTHERS FOR PROVIDED 1-1/4" O.D. TAILPIECE
- C. ELECTRICAL SERVICE ROUGH
- D. Ø3/8" HANGER BRACKET PUNCHING, 6 PLACES FOR ANCHORING HARDWARE BY OTHERS
- E. Ø1/4" PUNCHING, 3 PLACES FOR ANCHORING HARDWARE BY OTHERS
- F. PUSHBUTTON CARTRIDGE
- H. 1-1/4" [32] O.D. TAILPIECE FOR P-TRAP BY OTHERS
- I. REMOVABLE PLUG FOR BOTTLE FILLER (-BF11 OR -BF12 ONLY)
- J. OPTIONAL -WF1EZ, EZ DOOR<sup>®</sup> FILTER



**GENERAL NOTES:**

1. ALL DIMENSIONS ARE IN INCHES [MM]
2. ALLOW 4 INCHES [102 MM] MINIMUM CLEARANCE PER SIDE FOR VENTILATION.
- \*3. DIMENSIONS SHOWN ARE FOR ADA ADULT HEIGHT. ADJUST VERTICAL DIMENSIONS AS NEEDED TO COMPLY WITH FEDERAL, STATE, & LOCAL CODES FOR ACCESSIBILITY.
4. WATER SUPPLY STOP VALVE, P-TRAP WASTE, AND ELECTRICAL OUTLET (WHEN REQUIRED) ARE BY OTHERS.
5. IMPORTANT: FIXTURES MUST BE ATTACHED TO WALL WITH APPROPRIATE WALL ANCHORS AND HARDWARE TO SUIT WALL CONSTRUCTION. (MOUNTING ANCHORS AND HARDWARE ARE PROVIDED BY OTHERS.)

**IMPORTANT: Dimensions are shown for reference only. Refer to product Installation Manual for complete details prior to Rough-in.**

**SELECTION SUMMARY & APPROVAL FOR MANUFACTURING**

Model Number & Options \_\_\_\_\_ Quantity \_\_\_\_\_

Company \_\_\_\_\_

Contact \_\_\_\_\_ Title \_\_\_\_\_

Signature (Approval for Manufacturing) \_\_\_\_\_ Date \_\_\_\_\_

All dimensions are subject to manufactures tolerance of plus or minus 1/2" nominal and subject to change without notice. Murdock assumes no responsibility for use of void or superseded data. Dimensions may change with the addition of optional accessories. Murdock Mfg.™, Member of Morris Group International™. Please visit [www.murdockmfg.com](http://www.murdockmfg.com) for most current specifications.