



T&S BRASS AND BRONZE WORKS, INC.

2 Saddleback Cove / P.O. Box 1088
Travelers Rest, SC 29690

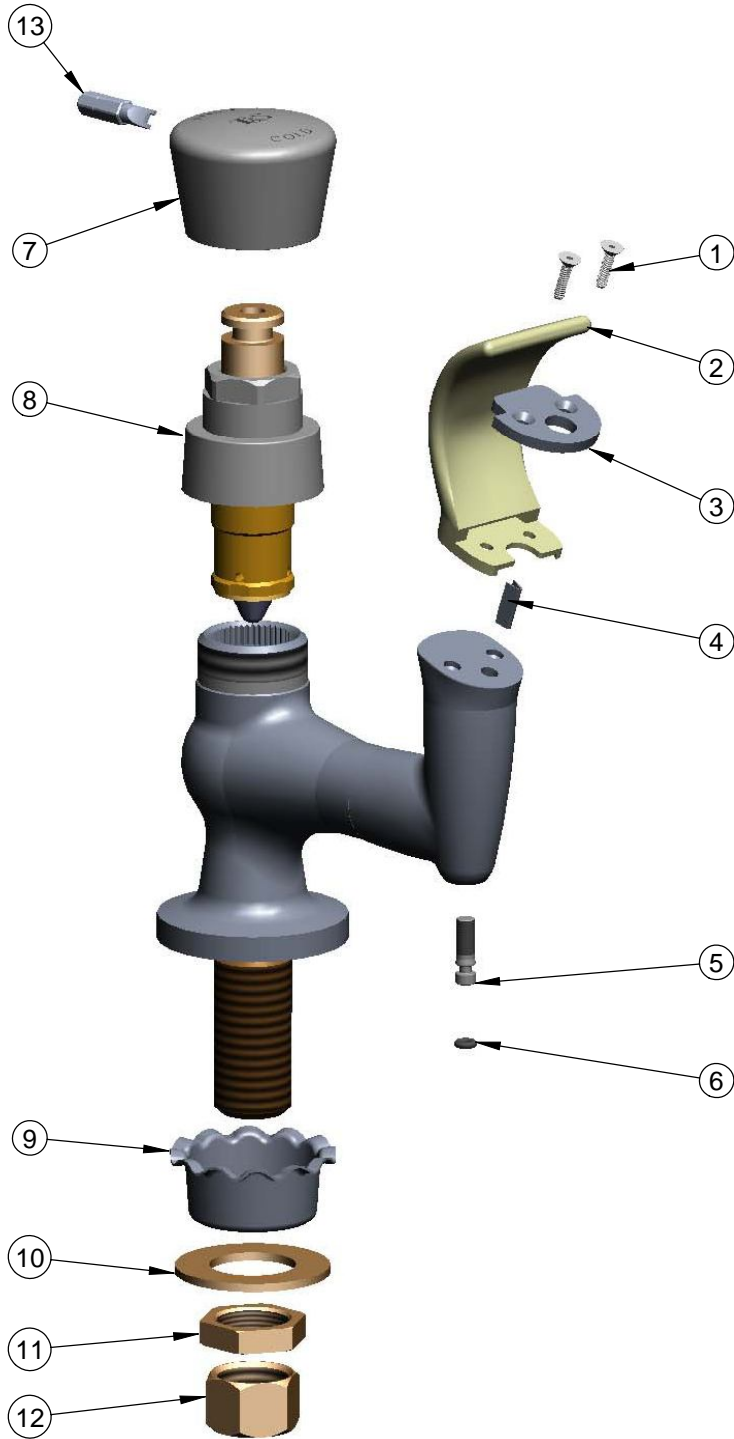


REG. #A2601
ISO #9001

Model No.
B-2360-01

Item No.

Travelers Rest, SC: 800-476-4103 Simi Valley, CA: 800-423-0150 Fax: 864-834-3518 www.tsbrass.com



ITEM NO.	SALES NO.	DESCRIPTION
1	009598-45	Mouth Guard Screw
2	009595-45	Rubber Mouth Guard
3	009596-40	Mouth Guard Holder
4	009594-45	Flow Straightener
5	015318-45	Flow Control Screw
6	015319-45	O-Ring
7	014195-40	Cold Cap Assembly
8	238A	Push Button Metering Ctg.
9	001000-45	Rosette Washer
10	000999-45	Brass Lock Washer
11	002954-45	Shank Lock Nut
12	000958-20	Coupling Nut
13	014734-45	#8 Spanner Bit

Product Specifications:

**Bubbler w/ Rubber Mouth Guard
with Push Button Metering Cartridge**

Drawn DMH	Checked GEF	Approved JHB
Scale: 1:2		Date: 10/03/08