



T&S BRASS AND BRONZE WORKS, INC.

2 Saddleback Cove / P.O. Box 1088
Travelers Rest, SC 29690



REG. #A2601
ISO #9001

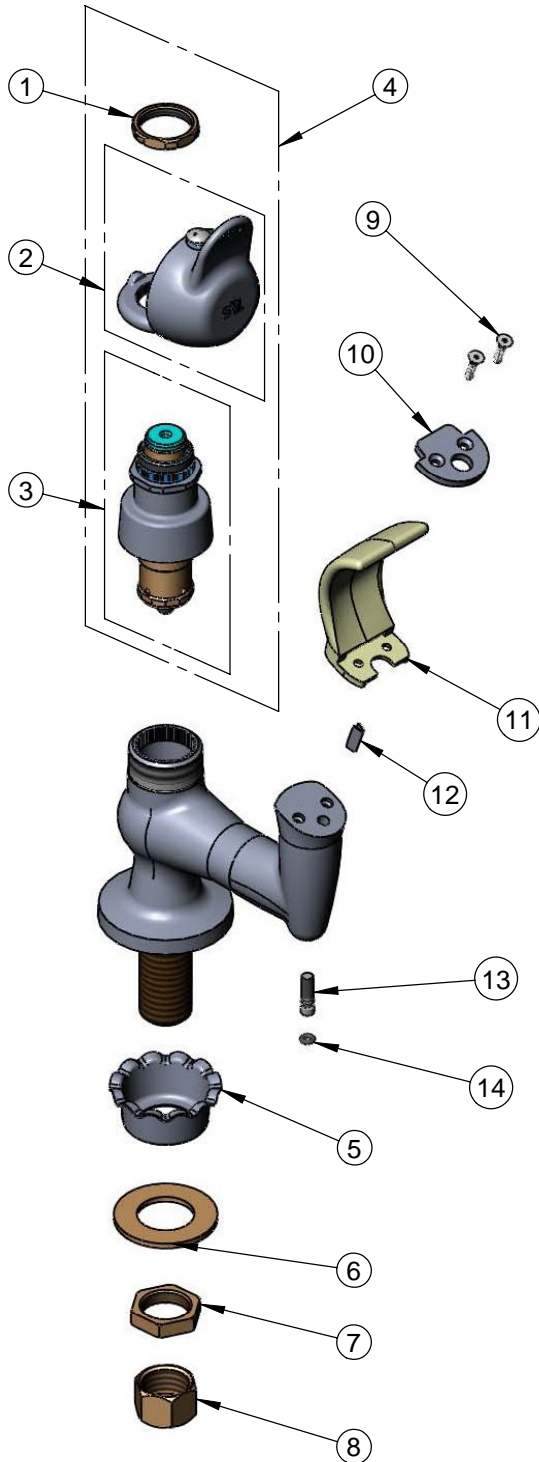
Model No.

B-2360-01-PA

Item No.

Travelers Rest, SC: 800-476-4103 Simi Valley, CA: 800-423-0150 Fax: 864-834-3518 www.tsbrass.com

ITEM NO.	SALES NO.	DESCRIPTION
1	PA-N	Retaining Nut
2	PA-B	Blank Pivot Action Handle Assembly w/ Retaining Nut and Spanner Bit
3	238A-PA	Pivot Action Metering Cartridge w/ Retaining Nut
4	238AB-PA	Pivot Action Metering Cartridge w/ Blank Pivot Action Handle, Retaining Nut and Spanner Bit
5	001000-45	Rosette Washer
6	000999-45	Brass Lock Washer
7	002954-45	Shank Lock Nut
8	000958-20	Coupling Nut
9	009598-45	Mouth Guard Screw
10	009596-40	Mouth Guard Holder
11	009595-45	Rubber Mouth Guard
12	009594-45	Flow Straightener
13	015318-45	Flow Control Screw
14	015319-45	O-Ring




Spanner Bit for
Vandal Resistant Screw
014734-45


Pivot Action Handle
Vandal Resistant Screw
016654-45

Product Specifications:

**Bubbler w/ Flexible Mouth Guard, 1/2" NPSM Male Shank
and Pivot Action Metering Cartridge**

Drawn	Checked	Approved
DMH	GEF	JHB
Scale:		Date:
NTS		07/09/08