

748-665ABCP

Deck Mounted Metering Bubblers

PRODUCT TYPE

Deck Mounted Metering Bubblers

FEATURES & SPECIFICATIONS

- Polished chrome plated finish
- ECAST design provides durable brass construction with total lead content less than 0.25% by weighted average
- 0.7 GPM integral flow control
- All metal projector head
- Tapered vandal resistant metering handle with color coded index button, catalog #665
- Push button, self closing, non-metering cartridge, catalog #672-X
- Vandal resistant recessed manual volume control
- Anti-Rotational pins for optional field installation
- 1/2" NPSM inlet and coupling nut for 3/8" or 1/2" flexible risers
- Mounting hardware included

PERFORMANCE SPECIFICATION

- Rated Operating Pressure: 20-125 PSI
- Rated Operating Temperature: 40-140° F

WARRANTY

- Lifetime Limited Faucet Warranty
- 5-Year Limited Cartridge Warranty
- 1-Year Limited Finish Warranty

COMPLIANT TO

- California Lead Plumbing Law (AB1953)
- NSF 61, Sec. 9
- CSA B125
- ASME A112.18.1
- ADA

Job Name	_____
Item Number	_____
Section/Tag	_____
Model Specified	_____
Architect	_____
Engineer	_____
Contractor	_____
<input type="checkbox"/> Submitted as Shown	<input type="checkbox"/> Submitted with Variations
Date	_____

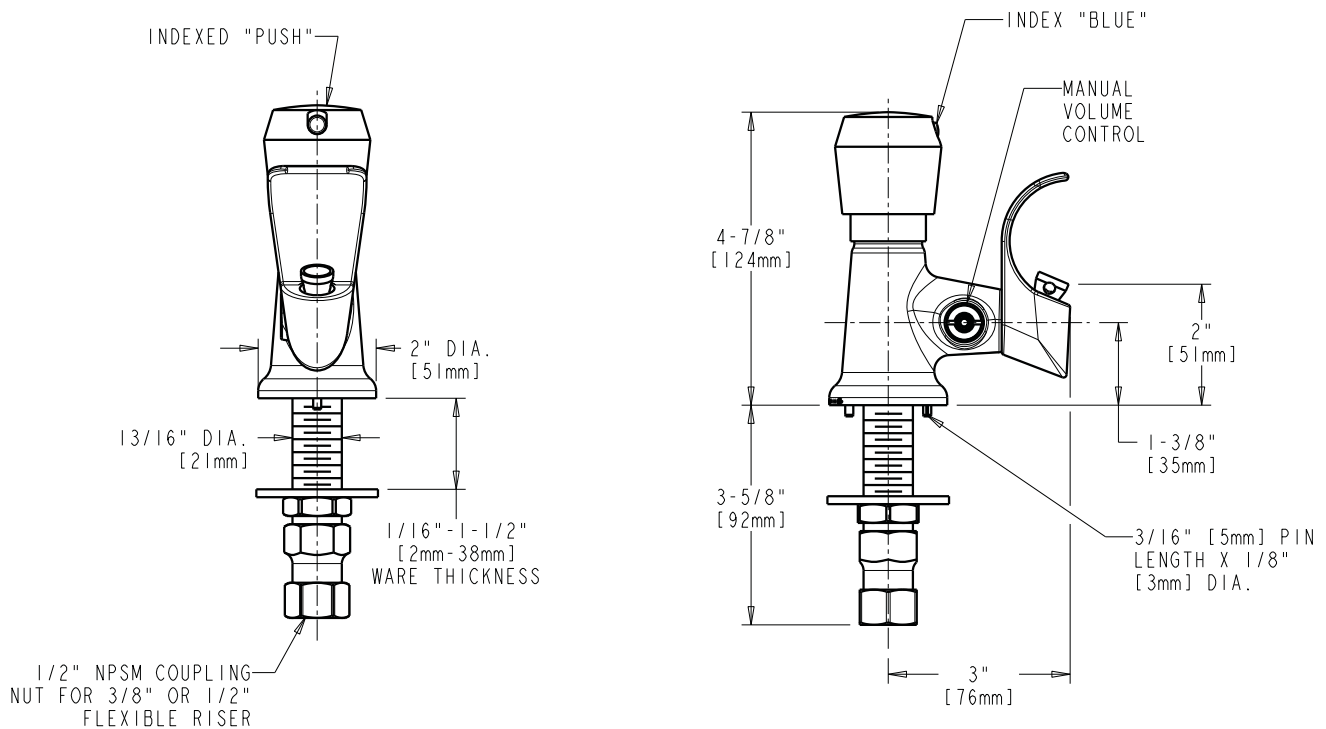


748-665ABCP

Deck Mounted Metering Bubblers

ARCHITECT/ENGINEER SPECIFICATION

Chicago Faucets No. 748-665ABCP, Polished chrome plated solid brass body and spout. ECAST™ construction with less than 0.25% lead content by weighted average. All metal projector head with angled flow nozzle. Tapered vandal resistant metal handle with color coded index button. Push button self closing non-metering cartridge. Vandal resistant recessed manual control volume control. Vandal resistant, anti-rotational pins are provided for optional field installation. .7 GPM integral flow control. 1/2" NPSM inlet and coupling nut for 3/8" or 1/2" flexible risers. All mounting hardware is included for standard installations. This product meets ADA requirements and is tested and certified to industry standards: ASME A112.18.1, NSF 61, Sec. 9, CSA B125 and California Lead Plumbing Law (AB1953).



OPERATION AND MAINTENANCE

Installation should be in accordance with local plumbing codes. Flush all pipes thoroughly before installation. After installation, remove spout outlet or flow control and flush faucet thoroughly to clear any debris. Care should be taken when cleaning this product. Do not use abrasive cleaners, chemicals or solvents as they can result in surface damage. Use mild soap and warm water for cleaning and protecting the life of Chicago Faucet products. For specific operation and maintenance refer to the installation instructions and repair parts documents that are located at www.chicagofaucets.com.

ECAST™ from Chicago Faucets, is the line of durable, high quality brass faucets and fixtures that are designed and manufactured with less than one quarter of one percent (0.25%) total lead content by weighted average. These products are intended for installation where state laws and local codes mandate lead content levels or in any location where lead content is a concern.



2100 South Clearwater Drive
 Des Plaines, IL 60018
 P: 847/803-5000
 F: 847/803-5454
 Technical: 800/TEC-TRUE
www.chicagofaucets.com