

ELKAY[®]

SPECIFICATIONS

EZH20™ - Retro Kit

Bottle Filling Station

Model LZWSRK

PRODUCT FEATURES

- Retro Kit attaches to most 115V/60Hz EZ pushbar activated water coolers to create a bottle filling station
- Space saving ADA-compliant design
- Sanitary, no-touch, sensor activation with automatic 30-second shut-off timer
- WaterSentry[®] Plus 3000 gallon filter included
- Silver Ion anti-microbial protection
- Quick fill rate is 1.1 gpm for refrigerated units and 1.5 gpm for non-refrigerated units
- Laminar flow provides minimal splash
- Real drain system eliminates standing water
- Visual user interface display includes:
 - Filter Monitor indicating when replacement is necessary
 - Green Ticker counts the quantity of 16 oz. bottles saved from the landfill for non-refrigerated units and 12 oz. bottles saved for refrigerated units
- Constructed of durable 18 gauge stainless steel and ABS plastic

Model LZWSRK is a retro-fit bottle filling station designed for use with most existing 115V/60Hz pushbar-activated EZ cooler installations. Shall be constructed of 18 gauge Type 300 series stainless steel and ABS plastic. Shall include an electronic sensor for no-touch activation with an automatic 30-second shut-off timer. Shall provide 1.1* gpm flow rate with laminar flow to minimize splashing. Shall include antimicrobial protected plastic components to prevent mold and mildew. Shall include the WaterSentry[®] Plus filter with visual monitor to indicate when replacement is necessary. Bottle Filling unit shall meet ADA guidelines for parallel approach. Unit shall be lead-free design which meets Safe Drinking Water Act and is certified to NSF/ANSI 61 and California AB1953.

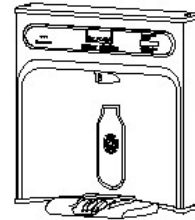
SUGGESTED SPECIFICATION

*Fill rate may vary slightly depending on existing refrigeration systems in the field

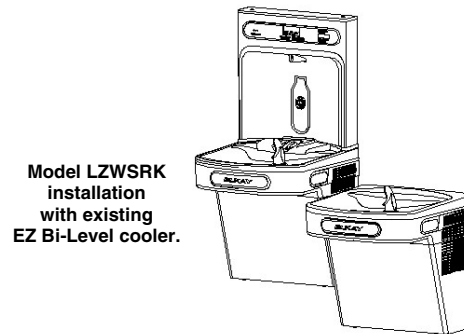
2222 Camden Court Phone: 630-572-3192
Oak Brook, IL 60523 Web: Elkayusa.com



IMAGES



Model LZWSRK



Model LZWSRK installation with existing EZ Bi-Level cooler.

- 51300C Replacement filter
- 51300C_3PK - Replacement filter 3-pack

OPTIONAL ACCESSORIES

Ideal for use with existing EZ style cooler installations such as in:

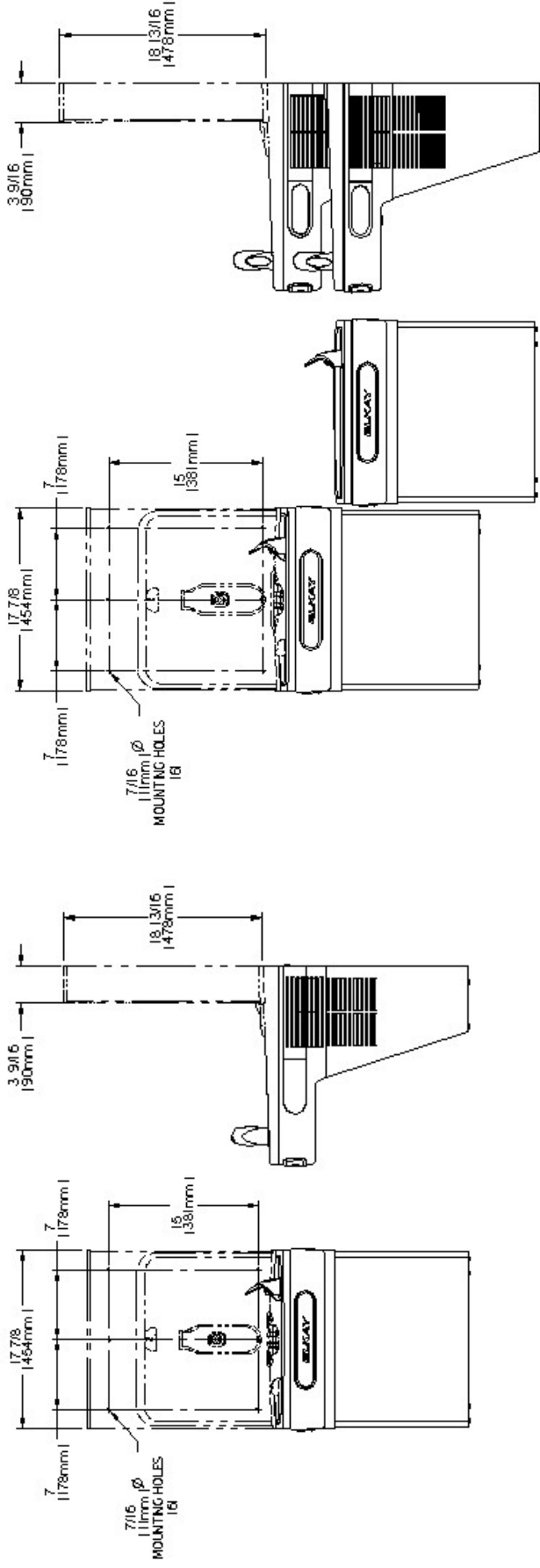
- Educational facilities
- Healthcare facilities
- Sport and fitness centers
- Airports
- Office buildings
- Other commercial buildings

APPLICATIONS

ELKAY®

***Rated for Indoor Use Only**

ROUGH -IN DIMENSIONS Bi-Level Cooler Installation



Installation Notes:

- Unit will mount on bracket attached to wall by 6 holes (as shown above)
- Water and electrical will connect through a hole punched into basin.
- Retro Kit will include a punch to create hole in basin
- Cooler must be pressurized. Bi-level and glass filler prepped units are already pressurized. Single EZ style coolers will need to be pressurized.
- EZ cooler must be properly installed per Elkay rough-in design.

PRELIMINARY—SUBJECT TO CHANGE
October 2009

Job Name: _____ Qty: _____
Date: _____
Contact Info (Name, Phone, Email): _____
Approval for Manufacture Signature and Date: _____

Specifications and measurements are subject to change without notification.
Please visit elkayusa.com for most current version.

2222 Camden Court
Oak Brook, IL 60523
Phone: 630-572-3192
Web: Elkayusa.com

Model LZWSRK