

# HWUACP8SS

Barrier-Free Wall Mounted Electric Drinking Fountain



## FEATURES & BENEFITS

### Activation

Unit is easily activated by front and side push pads.

### Maintenance

Easily serviced with external stream height adjustment and built-in 100 micron strainer.

### Bubbler

Flexible rubber hooded bubbler head protects against occasional mishaps.

### Finish

Decorative and durable grained stainless steel skin and basin provide an easy to clean surface.



## OPTIONS

- Glass Filler: Model 5551, push lever operated, self-closing, polished chrome-plated brass, deck mounted, gooseneck cold water glassfiller faucet.
- Filter: Model 6426, 12" x 2", in-line lead removal element that reduces lead from incoming water supply.

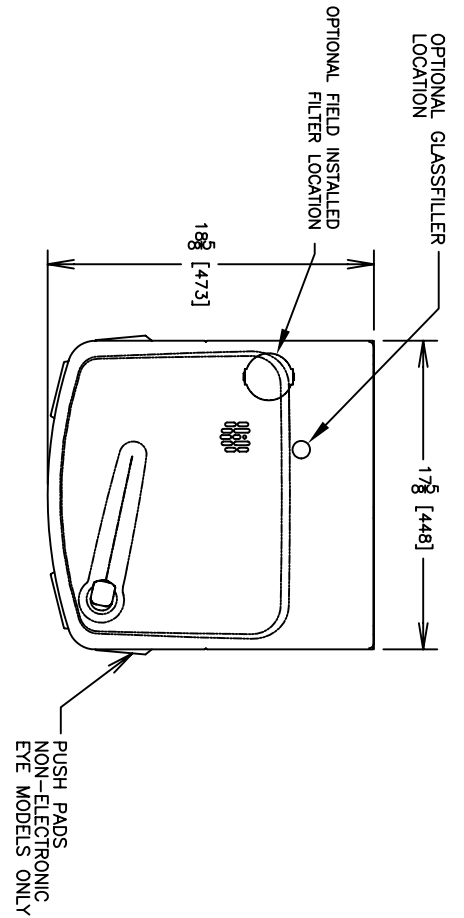
## SPECIFICATIONS

Haws model HWUACP8SS pressure drinking water cooler shall deliver a minimum of 8 gph (30.3 LPH) of water at 50°F (10°C) cooled from 80°F (26.7°C) inlet water at 90°F (32.2°C) ambient. Front and side mounted push pads requiring less than 5 pounds of force to activate that initiate water flow through a flexible hooded rubber bubbler having a non-squirt feature. An internally mounted valve and adjustable stream regulator shall control water flow between 20 and 90 psig. R-134a refrigeration system shall be hermetically sealed and refrigerant flow shall be capillary tube controlled. An adjustable thermostat having an off position shall control refrigeration system. Stainless steel top shall have integral drain strainer. Heavy-duty galvanized frame shall support stainless steel exterior panels. Built-in 100 micron strainer and external stream height adjustment are enclosed by a removable lower panel which provides easy access for installation. 115 Volts, 60Hz, Full

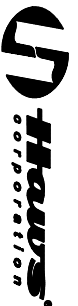
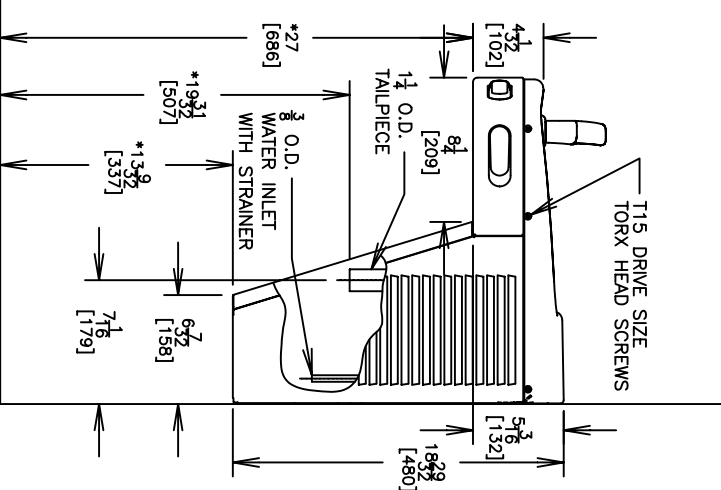
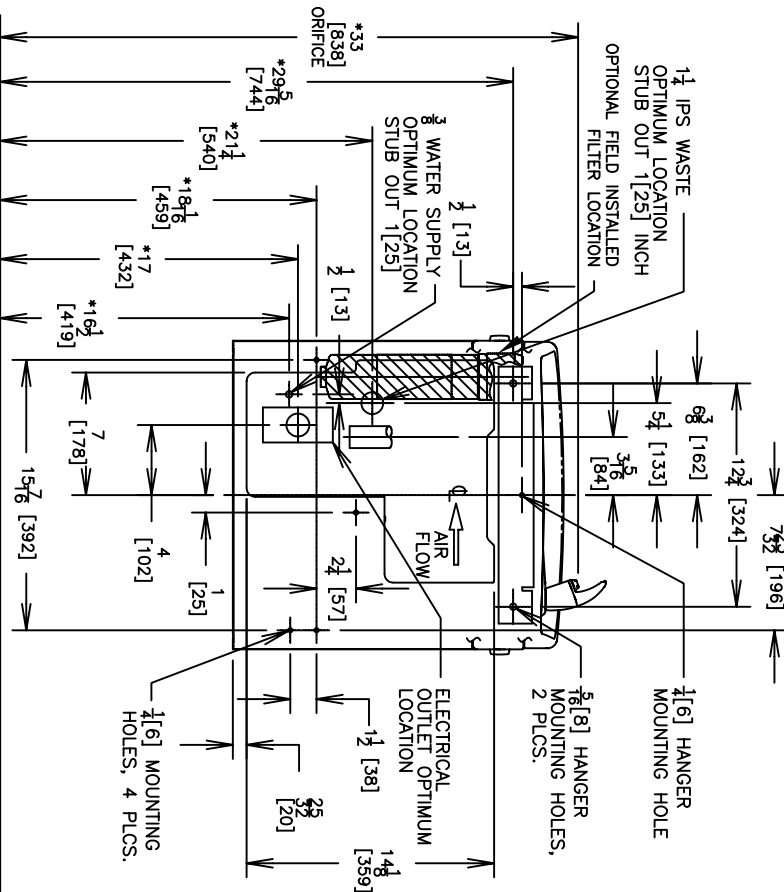
## APPLICATIONS

Perfect for either public or private settings, our barrier-free electric water coolers are a great fit in indoor environments. This series is precisely mounted, making it a nice addition to any surrounding. Beautiful satin finish help to maintain the fountains overall appeal so it always remains looking as new as it did when it was installed. Specifically, this type fountain may be placed in settings such as: office buildings, shopping malls, and other indoor environments where there is a demand for a chilled water source and/or wheel chair access.





- NOTES:**
- TRAP, STOP VALVE AND ELECTRICAL OUTLET NOT FURNISHED.
  - ALLOW 4 INCHES [102 MM] MIN. PER SIDE FOR VENTILATION.
  - RECOMMENDED ADULT BARRIER FREE HEIGHT INSTALLATION SHOWN. REDUCE HEIGHT BY 3 INCHES FOR INSTALLATIONS USED PRIMARILY BY CHILDREN AGES 12 AND YOUNGER. UNIT SHALL ALSO HAVE A MINIMUM CLEAR FLOOR SPACE 30[760] BY 48[1220]. ADJUST VERTICAL DIMENSIONS AS REQ'D TO COMPLY WITH FEDERAL, STATE, AND LOCAL CODES.
  - ALL DIMENSIONS ARE IN INCHES. DIMENSIONS IN BRACKETS [ ] ARE IN MILLIMETERS.



INFO FAX : 1-888-FAX-HAWS (1-888-329-4297)

1455 Klempa Ln, Sparks, NV, 89431  
 Phone: 775-359-4712, Fax: 775-359-7424  
 Haws Ag Bachtweg 3 CH-3401 Burgdorf Switzerland  
 Haws Jng Pte Ltd 74 Sungai Kadul Loop Singapore 729531  
 e-mail: Haws@hawsco.com website: www.hawsco.com

<b>REVISIONS</b>				DATE	BY	DESCRIPTION
4333	ECN					
	DATE					
FELIX V.	3/10/08					
<b>MODEL(S):</b>				HWUACP8/HWUACP8SS		
<b>ISSUED FOR:</b>				INFO FAX, DOC # 2498272/24982877		
<b>APPROVER:</b>				AWB/ALV/JDB/FAK/BAC		
<b>UNIT/ORDER NO:</b>		<b>QUANTITY:</b>		<b>REV:</b>		<b>ISSUE:</b>
0002080306 D		15341A00		1		1