



**MODEL:**    6000    6028    10000



These fountains are certified to NSF/ANSI 61.

**6000**

- Single-stream projector with automatic stream control
- Satin finish stainless steel basin
- All exposed fittings chrome plated
- Removable brass strainer plate
- Union supply connection
- Unit size: 12 1/4" W x 8 1/4" D x 3" H
- **Shipping weight:** 5 lbs.

**SUGGESTED SPECIFICATIONS**

Fountain shall have self-rimming stainless steel basin with satin finish. Projector to be pushbutton type with automatic stream control. To have removable drain strainer. Fountain shall have positive shut-off service valve with union supply connection. The manufacturer shall certify the unit to meet the requirements of NSF/ANSI 61, and the Safe Drinking Water Act.

**6028**

- Stainless steel with satin finish
- Two-stream, mound-building Double Bubbler™ projector with automatic stream control
- Removable brass strainer plate
- Union supply connection
- Automatic stream regulator
- All exposed fittings chrome plated
- Unit size: 22 1/2" W x 10 1/4" D x 2 7/8" H
- **Shipping weight:** 10 lbs.

**SUGGESTED SPECIFICATIONS**

Fountain shall have self-rimming stainless steel basin with satin finish. Underside of basin to be undercoated to prevent condensation and dampen sound. Projector to be two-stream, mound-building type. Shall have self-closing pushbutton valve with diaphragm-type, automatic stream control. Fountain to have removable drain strainer. The manufacturer shall certify the unit to meet the requirements of NSF/ANSI 61, and the Safe Drinking Water Act.

**10000**

- Stainless steel with satin finish
- Single-stream projector with automatic stream control
- Removable brass strainer plate
- All exposed fittings chrome plated
- Unit size: 13 1/4" diameter, 1 3/4" depth
- **Shipping weight:** 6 lbs.

**SUGGESTED SPECIFICATIONS**

Fountain shall have self-rimming stainless steel basin with satin finish. Projector to be pushbutton type with automatic stream control. To have removable drain strainer. The manufacturer shall certify the unit to meet the requirements of NSF/ANSI 61, and the Safe Drinking Water Act.

Note: Continued product improvement makes specifications subject to change without notice. See Halsey Taylor website for most current spec sheet.

**Trap and service stop not included.**

**6000 Countertop Fountain**



**6028 Countertop Fountain**



**10000 Countertop Fountain**



JOB NAME: \_\_\_\_\_

\_\_\_\_\_

ENGINEER/CONTRACTOR NAME: \_\_\_\_\_

APPROVAL: \_\_\_\_\_

DATE: \_\_\_\_\_



# Countertop Fountains

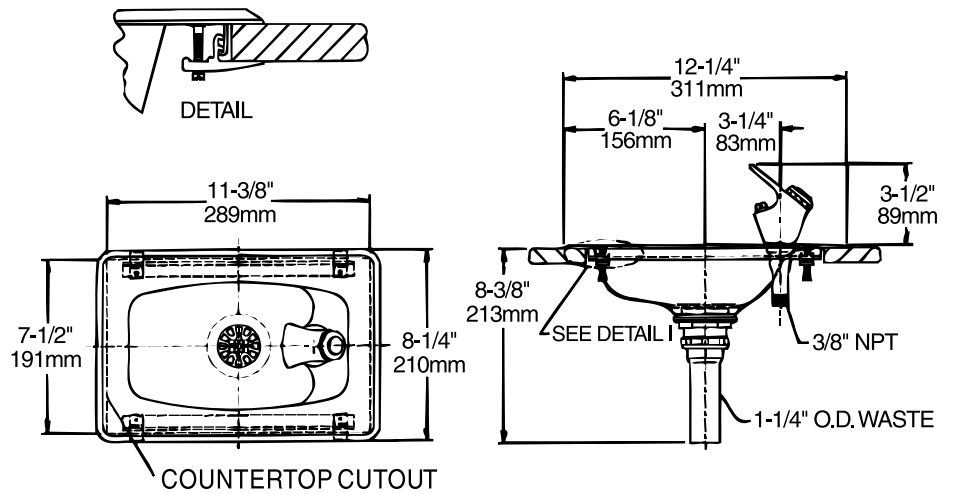
(CONTINUED)

## OPERATING PRESSURES

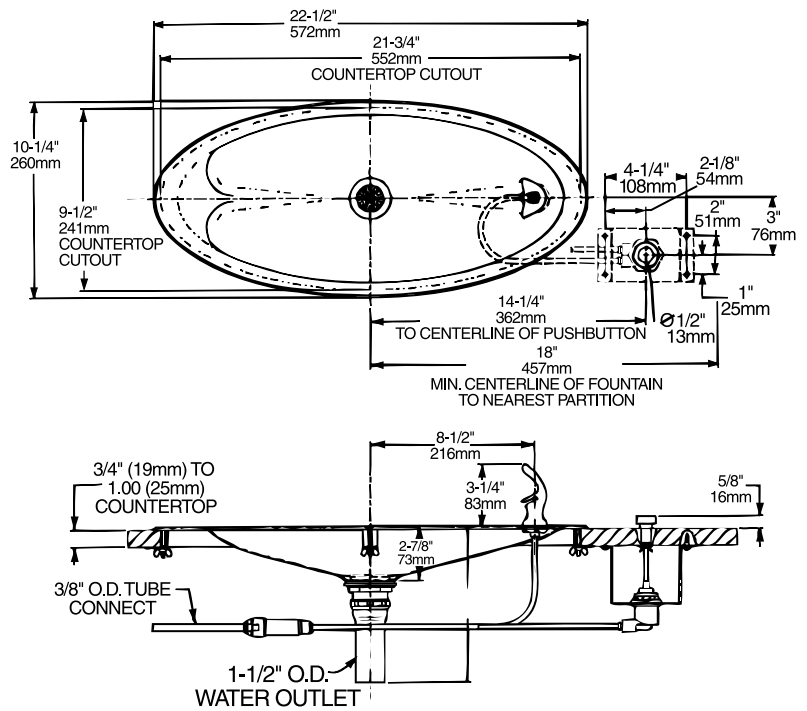
Supply water-105 psi maximum

**NOTE:** Trap and service stop not included. A service stop must be installed at the fountain inlet line.

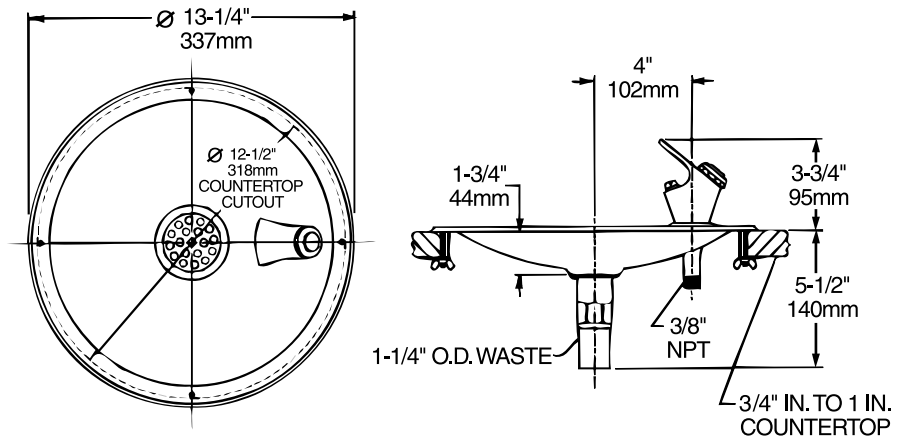
6000



6028



10000



**Halsey Taylor®**