

# 3300

## Pedestal Mounted Drinking Fountain



### FEATURES & BENEFITS

#### Barrier-Free

Barrier-free capabilities combined with its ease of use allows for a number of installation location possibilities.

#### Bubbler head

Patented (Pat.# 7,025,282) EnviroGard™ polished chrome-plated brass bubbler head provides sanitary service in the worst of conditions. The stainless steel shroud covers the orifice surface until the water is activated, and covers it again after use.

#### Drain Clean-Out

Top-down access to the drain allows the fountain to be cleaned without taking the unit apart, which is ideal for outdoor settings that are high in drain-clogging sediment like leaves, garbage, and other debris.

#### Construction

Heavy-duty 11 gauge galvanized steel with a green powder-coat finish incorporates a recessed push-button and welded bubbler guard to provide extra durability, and a vandal-resistant bottom plate for added peace of mind. Stainless steel basin with a high-polished finish compliments almost any setting, and it also resists stains and corrosion.

#### Push Button

With its patented (Pat.# 6,981,692) push-button valve assembly which allows for front access stream adjustment as well as cartridge and strainer access, this fountain offers the ultimate in ease of maintenance.



### SPECIFICATIONS

Model 3300 "Hi-Lo" barrier-free pedestal drinking fountain shall include an 11 gauge galvanized substrate steel pedestal with green powder-coating, polished stainless steel basins, push-button operated valves with front-accessible cartridge and flow adjustment, polished chrome-plated brass bubbler heads with patented contaminate protective pop-up canopy backed against pedestal guards, polished chrome-plated vandal-resistant waste strainers with top-down clean-out access, vandal-resistant access plates, integral mounting feet, and 1-1/2" slip waste.

### OPTIONS

- Hose Bib: Model 6275, compression hose bib faucet assembly with rough chrome-plated finish.
- Bib Faucet: Model 6250LF, self-closing, plain end, lead-free, brass bib faucet with polished chrome-plated finish.
- Filter: Model 6426, 12" x 2", in-line lead removal element that reduces lead from incoming water supply.
- Sand Trap: Model 6611, sand trap for installing adjacent to pedestal drinking fountains to help prevent debris and contaminants from clogging waste line.

To see all options for this model, visit [www.hawesco.com](http://www.hawesco.com).

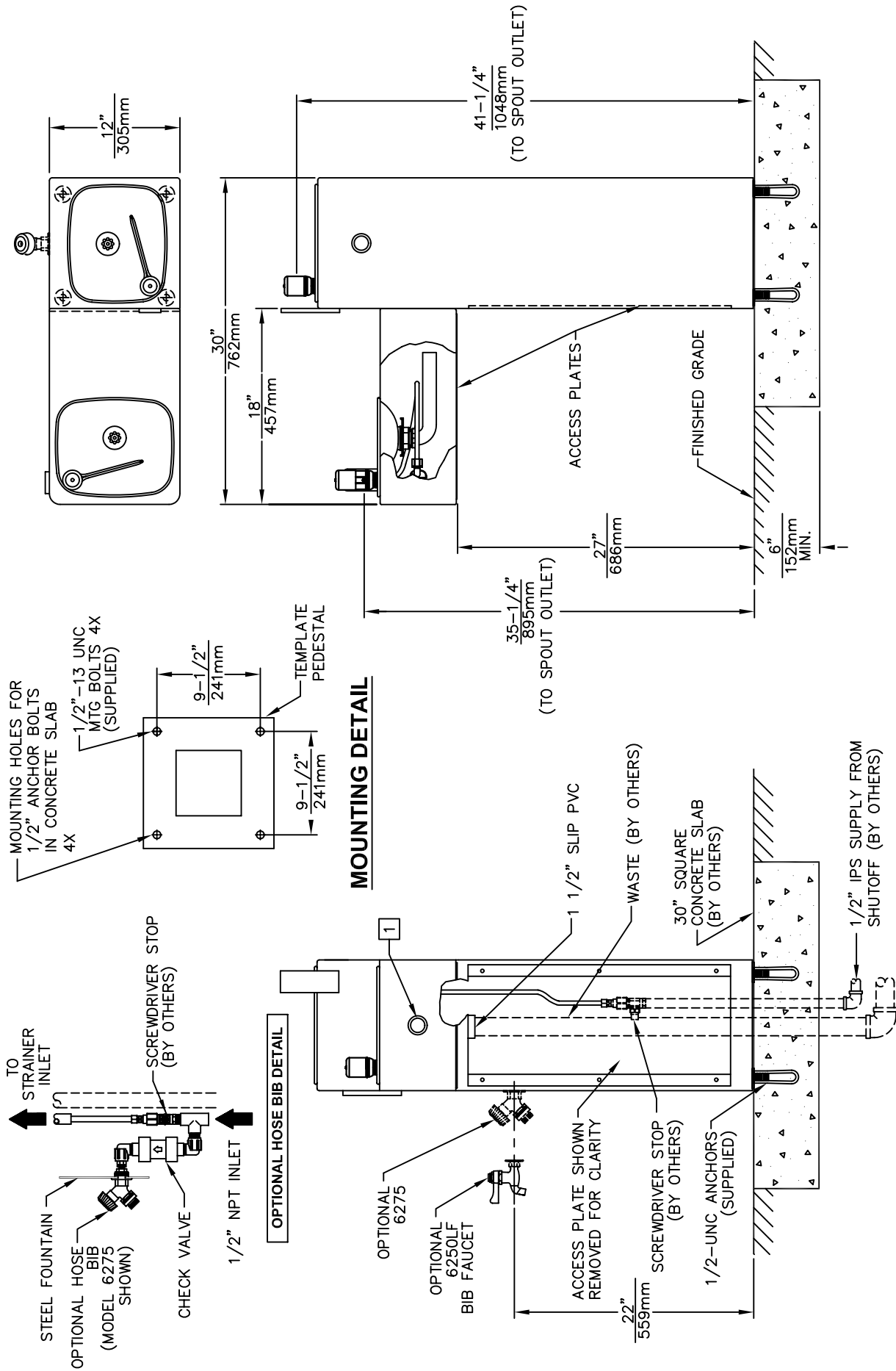
### APPLICATIONS

This drinking fountain has a unique application at parks and golf courses where conservation efforts are moving many facilities towards using less expensive non-potable water for irrigation. By shielding the bubbler head, this unit also provides peace of mind to those using the fountain that possible contaminants won't be passed through the drinking water. The 3300 offers a solution for outdoor wheelchair access as well as vandal-resistance, appealing to all users through accessibility and safety. This series may also be a nice addition to areas such as parks, schools, and other areas where drinking facilities are needed.

Model meets all current Federal Regulations for the disabled including those in the Americans with Disabilities Act. Haws manufactures drinking fountains, electric water coolers and electric drinking fountains to be lead-free by all known definitions including ANSI/NSF Standard 61, Section 9, California Proposition 65, and the Federal Safe Drinking Water Act.

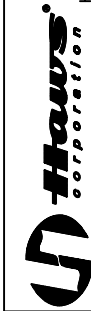


THIS DOCUMENT IS TRUE AND CORRECT AT TIME OF PUBLICATION. CONTINUED PRODUCT IMPROVEMENTS MAKE SPECIFICATIONS AND MEASUREMENTS SUBJECT TO CHANGE WITHOUT NOTICE.



**NOTES:**

- REFER TO 5874 OPERATION AND MAINTENANCE MANUAL FOR PUSH BUTTON AND VALVE INSTALLATION/MAINTENANCE INSTRUCTIONS. (NOTE: THIS FOUNTAIN UTILIZES A HIGH FLOW CARTRIDGE TO ENSURE PROPER WATER FLOW).



INFO FAX : 1-888-FAX-HAWS (1-888-329-4297)  
 1455 Kleppe Ln, Sparks NV, 89431  
 Phone: 775-359-4712 Fax: 775-359-7424  
 Haws Ag, Bachweg 3, CH-3401 Burgdorf, Switzerland  
 Haws Mtg Pte Ltd, 74, Sungai Kadut Loop, Singapore 729531  
 e-mail: Haws@hawsco.com website: www.hawsco.com

FOR NO.:	ECN: 4166	HM	3300/3300G
DATE:	09/02	REV:	15
APPROVED:		SCALE:	1:4
DRAWING TYPE:		INSTALLATION/FABRICATION	
MODEL(S):	3300/3300G	INFO FAX DOC #:	233004
DATE:	09/02	SCALE:	1:4
APPROVED:		SIZE:	A
DATE:	09/02	SHEET:	1 OF 1



# INSTALLATION, OPERATION & MAINTENANCE INSTRUCTIONS

1455 Kleppe Lane ♦ Sparks, NV 89431-6467 ♦ (775) 359-4712 ♦ Fax (775) 359-7424  
HAWS AG ♦ Bachweg 3 ♦ CH-3401 Burgdorf ♦ Switzerland  
Haws Mfg. Pte Lt. ♦ 2A Sungei Kadet Drive ♦ Singapore 729554  
Avlis-Avenida Senador, Testonio Vilela ♦ 505 Jardim Aeroporto ♦ Itu, S.P. 13304-550 ♦ Brasil  
E-mail: [haws@hawsco.com](mailto:haws@hawsco.com) ♦ website: [www.hawsco.com](http://www.hawsco.com)

No. 2077341(15)

## Model 3300/3300G Drinking Fountain

**NOTE TO INSTALLER: Please leave this information with the Maintenance Department.**

### LIMITED WARRANTY

HAWS® warrants that all of its products are guaranteed against defective material or poor workmanship for a period of **one year from date of shipment**. HAWS liability under this warranty shall be discharged by furnishing without charge F.O.B. HAWS Factory any goods, or part thereof, which shall appear to the Company upon inspection to be of defective material or not of first class workmanship, provided that claim is made in writing to company within a reasonable period after receipt of the product. Where claims for defects are made, the defective part or parts shall be delivered to the Company, prepaid, for inspection. HAWS will not be liable for the cost of repairs, alterations or replacements, or for any expense connected therewith made by the owner or his agents, except upon written authority from HAWS, Sparks, Nevada. HAWS will not be liable for any damages caused by defective materials or poor workmanship, except for replacements, as provided above. Buyer agrees that Haws has made no other warranties either expressed or implied in addition to those above stated, except that of title with respect to any of the products or equipment sold hereunder and that HAWS shall not be liable for general, special, or consequential damages claimed to arise under the contract of sale. The drinking fountain manufactured by HAWS is warranted to function if installation and maintenance instructions provided are adhered to. The units also must be used for the purpose for which they were intended.

**NO OTHER WARRANTIES EXPRESSED OR IMPLIED ARE AUTHORIZED, PROVIDED OR GIVEN BY HAWS.**

**SHOULD YOU EXPERIENCE DIFFICULTY WITH THE INSTALLATION OF THIS MODEL, PLEASE CALL:**

**1-800-766-5612**

**FOR PARTS CALL:**

**1-800-758-9378**

**(U.S.A. AND CANADA ONLY) MONDAY-THURSDAY: 6:00 A.M. – 4:00 P.M. PST  
FRIDAY: 6:00 A.M – 1:00 P.M. PST**

**RECOMMENDED TOOLS:** Hack saw, pipe joint sealant, screwdriver, level, 12" adjustable wrench, 10" pipe wrench, 5/64" hex key wrench, 9/16", 1/2", 7/16" socket wrench or open end wrench.

**LOCATION OF UNIT:** The Model 3300/3300G Drinking Fountain is a wheelchair accessible drinking water facility. The height dimensions shown, meet current ADA requirements. When installing this unit, local, state or federal codes should be adhered to. If height other than shown is required, then dimensions must be adjusted accordingly.

**SUPPLY LINE:** The minimum recommended line size is 1/2" IPS with 30-90 psi (2-6 ATM) flowing pressure. Where sediment or mineral content is a problem, an inlet filter is recommended.

**PLUMBING CONNECTIONS:** Inlet is 1/4" IPS male fitting. Waste outlet is female 1-1/2" Slip PVC.

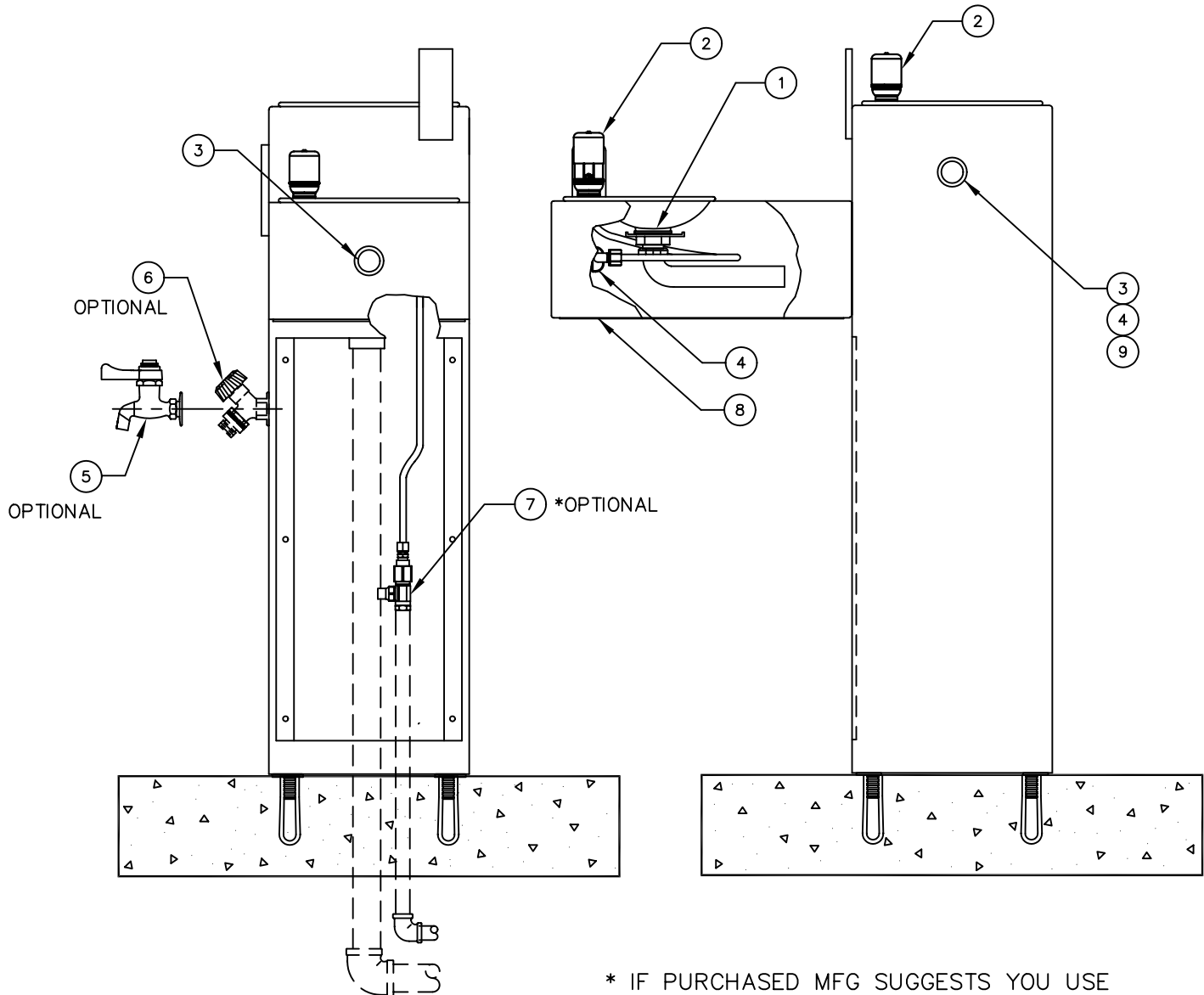
**MAINTENANCE:** Periodically clean the strainer. Refer to 5874 Valve Manual for information.

### TROUBLESHOOTING

PROBLEM	REPAIR CHECKLIST
1. Insufficient bubbler flow.	1a. Check that inlet screwdriver stop valve is wide open. Turn counterclockwise. b. Verify minimum 30psi flowing supply pressure. c. Clean strainer. See 5874 Valve Manual. d. Adjust valve to increase flow. Use front adjust screw or see 5874 Valve Manual.

ITEM	DESCRIPTION
1	STRAINER ASSY 6466
2	BUBBLER HEAD 5725
3	PUSH BTN ASS'Y PBA7
4	CARTRIDGE HF 0001632151
5	BIB FAUCET 6250LF (OPTIONAL)
6	HOSE BIB FAUCET 6275 (OPTIONAL)
7	1/2" STOP ASSY. 6449 (OPTIONAL)
8	ACCESS PLATE PBM1025
9	GASKET W/SCREEN 0002568123

# PARTS BREAKDOWN



\* IF PURCHASED MFG SUGGESTS YOU USE WITH CONNECTOR P/N 0001730150.2

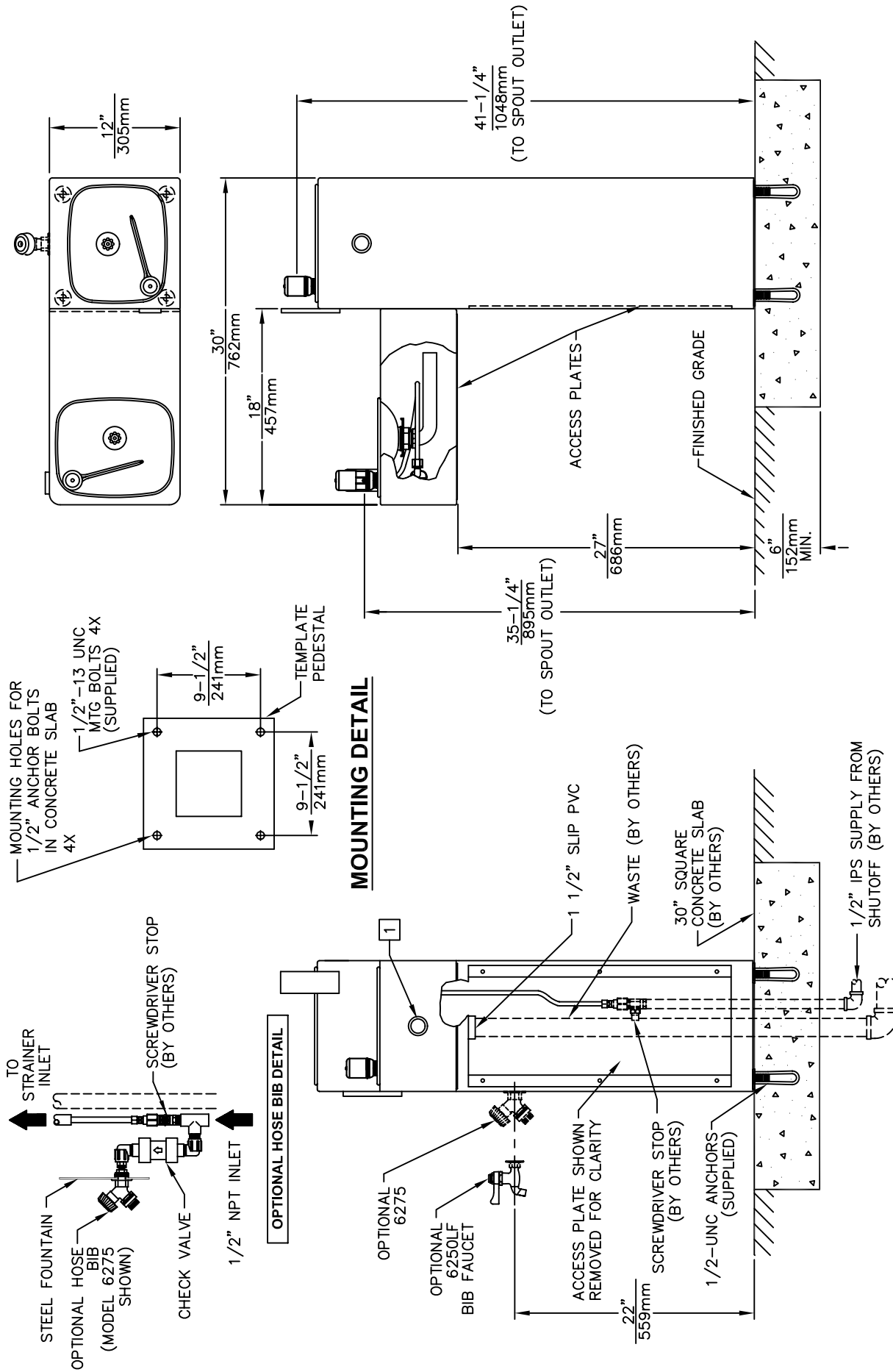
**WHEN ORDERING  
PARTS PLEASE  
SPECIFY YOUR  
MODEL NUMBER**



1455 KLEPPE LANE | BACHWEG 3  
SPARKS, NEVADA | CH3401 BURGDORF  
SWITZERLAND

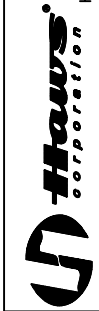
DRAWN BY: D. OLLOM	DATE: 11/25/95	CHECK BY:	APP'D BY:	SCALE: 1/4
TITLE: 3300/3300G			PART NUMBER: 0002077341	
DRAWING TYPE: PARTS BREAKDOWN			DRAWING NUMBER: 12813C00	REV. 15

THIS DOCUMENT IS TRUE AND CORRECT AT TIME OF PUBLICATION. CONTINUED PRODUCT IMPROVEMENTS MAKE SPECIFICATIONS AND MEASUREMENTS SUBJECT TO CHANGE WITHOUT NOTICE.



**NOTES:**

- REFER TO 5874 OPERATION AND MAINTENANCE MANUAL FOR PUSH BUTTON AND VALVE INSTALLATION/MAINTENANCE INSTRUCTIONS. (NOTE: THIS FOUNTAIN UTILIZES A HIGH FLOW CARTRIDGE TO ENSURE PROPER WATER FLOW).



INFO FAX : 1-888-FAX-HAWS (1-888-329-4297)  
 1455 Kleppe Ln, Sparks NV, 89431  
 Phone: 775-359-4712 Fax: 775-359-7424  
 Haws Ag, Bachweg 3, CH-3401 Burgdorf, Switzerland  
 Haws Mtg Pte Ltd, 74 Sungai Kadut Loop, Singapore 729531  
 e-mail: Haws@hawsco.com website: www.hawsco.com

FOR NO.:	ECN-4166	REV:	000707341.D
DATE:	09/02	DATE:	06/07/07
APPROVED:		SCALE:	1/4"
MODEL(S):	3300/3300G	INFO FAX DOC #:	23300
DRAWN:		INSTALLATION/FABRICATION:	15
CHECKED:		SIZE:	A
DATE:		SHEET:	1 OF 1