

3060

Pedestal Mounted Drinking Fountain



FEATURES & BENEFITS

Construction

Heavy-duty vibra-cast reinforced concrete construction with exposed aggregate finish provide a perfect addition to outside environments, along with a vandal-resistant access plate for added peace of mind. Stainless steel basin with a high-polished finish compliments almost any setting, and it also resists stains and corrosion.

Bubbler Head

Polished chrome-plated brass bubbler head is equipped with a shielded, anti-squirt orifice that provides a steady sanitary source of water.

Push Button

With its patented (Pat.# 6,981,692) push-button valve assembly which allows for front access stream adjustment as well as cartridge and strainer access, this fountain offers the ultimate in ease of maintenance.



OPTIONS

- Hose Bib: Model 6275, compression hose bib faucet assembly with rough chrome-plated finish.
- Filter: Model 6426, 12" x 2", in-line lead removal element that reduces lead from incoming water supply.
- Sand Trap: Model 6611, sand trap for installing adjacent to pedestal drinking fountains to help prevent debris and contaminants from clogging waste line.
- Concrete Colors: Haws offers the full palette of L.M. Scofield's integral admixtures as illustrated on the L.M. Scofield color chart and the choice of 4 different finishes. White cement is also available.

SPECIFICATIONS

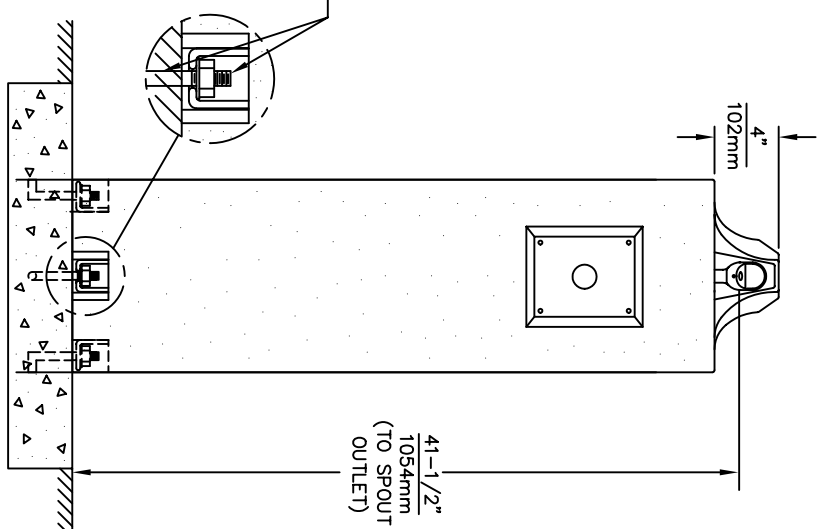
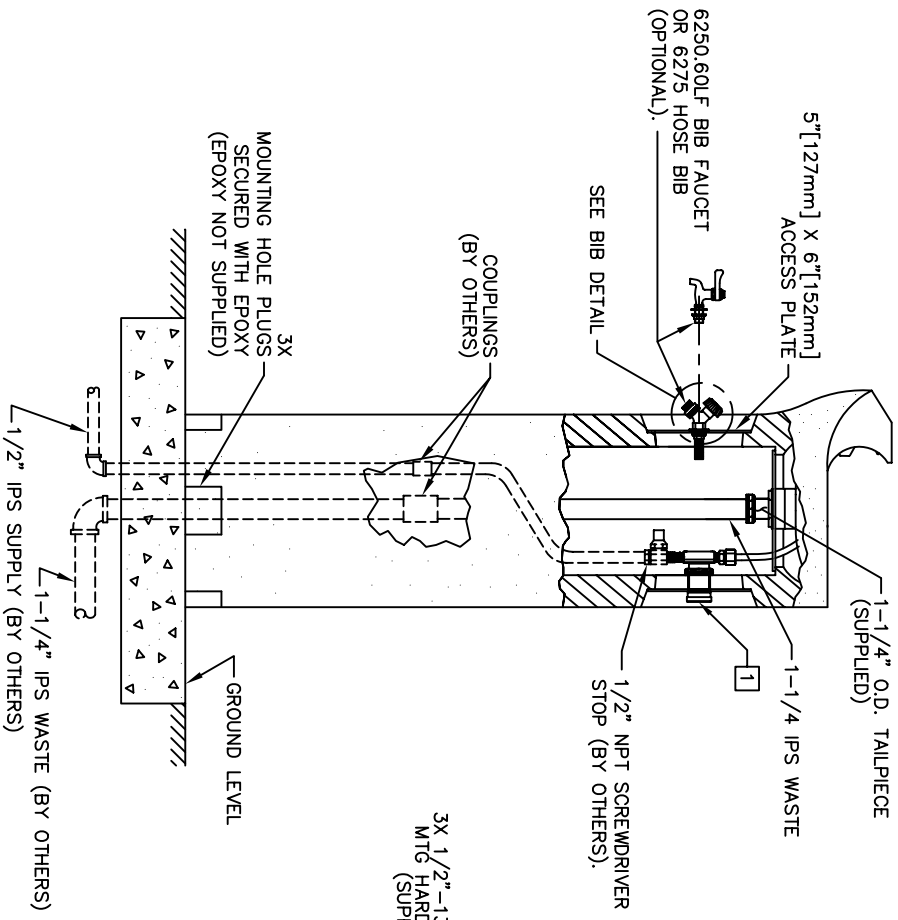
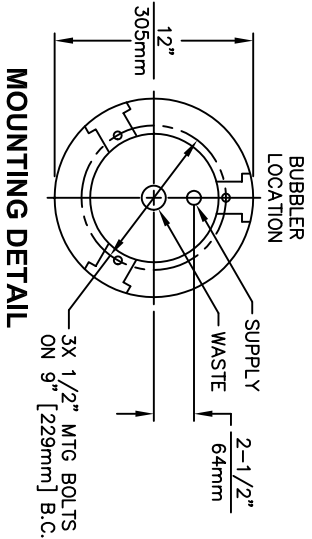
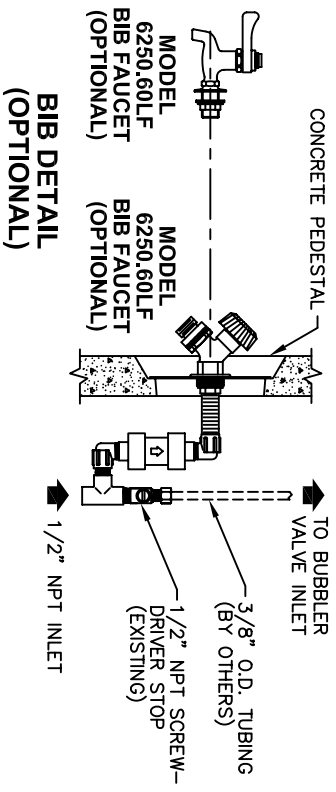
Model 3060 circular concrete pedestal drinking fountain shall include a polished stainless steel basin, push-button operated valve with front-accessible cartridge and flow adjustment, polished chrome-plated brass vandal-resistant bubbler head protected by a hood extension, polished chrome-plated vandal-resistant waste strainer, Portland Gray exposed aggregate concrete finish with wire reinforcement, integral mounting feet, vandal-resistant stainless steel access plate, and 1-1/4" O.D. tailpiece.

APPLICATIONS

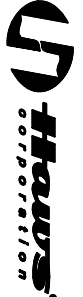
Perfect for either public or private settings, our concrete vibra-cast series is a great fit in "open-air" environments. Suitable in areas where weather conditions may be cause for concern, this series stands strong from the forest to the beach. Reinforced concrete vibra-cast design not only protects from corrosion, its Portland Gray color makes it recognizable enough to locate without compromising the outdoor atmosphere. This type of pedestal drinking fountain may also be placed in a variety of settings such as: parks, schools, and other recreational outdoor environments where the temperature remains above freezing.

Haws manufactures drinking fountains, electric water coolers and electric drinking fountains to be lead-free by all known definitions including ANSI/NSF Standard 61, Section 9, California Proposition 65, and the Federal Safe Drinking Water Act.





- NOTES:**
- 1 REFER TO 5874/VRK5874 OPERATION AND MAINTENANCE MANUAL FOR PUSH BUTTON AND VALVE INSTALLATION/MAINTENANCE INSTRUCTIONS.



INFO FAX : 1-888-FAX-HAWS (1-888-329-4297)
 1455 Kieppe Ln, Sparks NY 13841
 Phone: 775-359-4712 Fax: 775-359-7424
 Haws AG Building 3 CH-3401 Burgdorf Switzerland
 Haws Mtg File Ltd 74 Sungeni Kodut Loop Singapore 729531
 e-trail: Haws@hawsco.com Website: www.hawsco.com

REG. NO. 3060 ECRN: 34276 DATE: 08/90 APPROVER:	MODEL(S): 3060 INFO FAX DOC #: 23060 SCALE: 1/2" = 1'-0" DRAWING TYPE: INSTALLATION/FAKBACK	DATE: 08/90 CHECKED: DATE:	DATE: 08/90 CHECKED: DATE:
--	--	----------------------------------	----------------------------------

PRT NO: 08935A00
 QTY: 1
 SIZE: A | SHEET: 1 OF 1



INSTALLATION, OPERATION & MAINTENANCE INSTRUCTIONS

1455 Kleppe Lane ♦ Sparks, NV 89431-6467 ♦ (775) 359-4712 ♦ Fax (775) 359-7424
HAWS AG ♦ Bachweg 3 ♦ CH-3401 Burgdorf ♦ Switzerland
Haws Mfg. Pte Lt. ♦ 2A Sungei Kadet Drive ♦ Singapore 729554
Avlis-Avenida Senador, Testonio Vilela ♦ 505 Jardim Aeroporto ♦ Itu, S.P. 13304-550 ♦ Brasil
E-mail: haws@hawsco.com ♦ website: www.hawsco.com

No.2077030 (14)

Model 3060 Drinking Fountain

NOTE TO INSTALLER: Please leave this information with the Maintenance Department.

LIMITED WARRANTY

HAWS® warrants that all of its products are guaranteed against defective material or poor workmanship for a period of **one year from date of shipment**. HAWS liability under this warranty shall be discharged by furnishing without charge F.O.B. HAWS Factory any goods, or part thereof, which shall appear to the Company upon inspection to be of defective material or not of first class workmanship, provided that claim is made in writing to company within a reasonable period after receipt of the product. Where claims for defects are made, the defective part or parts shall be delivered to the Company, prepaid, for inspection. HAWS will not be liable for the cost of repairs, alterations or replacements, or for any expense connected therewith made by the owner or his agents, except upon written authority from HAWS, Sparks, Nevada. HAWS will not be liable for any damages caused by defective materials or poor workmanship, except for replacements, as provided above. Buyer agrees that Haws has made no other warranties either expressed or implied in addition to those above stated, except that of title with respect to any of the products or equipment sold hereunder and that HAWS shall not be liable for general, special, or consequential damages claimed to arise under the contract of sale. The drinking fountain manufactured by HAWS is warranted to function if installation and maintenance instructions provided are adhered to. The units also must be used for the purpose for which they were intended.

NO OTHER WARRANTIES EXPRESSED OR IMPLIED ARE AUTHORIZED, PROVIDED OR GIVEN BY HAWS.

SHOULD YOU EXPERIENCE DIFFICULTY WITH THE INSTALLATION OF THIS MODEL, PLEASE CALL:

1-800-766-5612

FOR PARTS CALL:

1-800-758-9378

**(U.S.A. AND CANADA ONLY) MONDAY-THURSDAY: 6:00 A.M. – 4:00 P.M. PST
FRIDAY: 6:00 A.M – 1:00 P.M. PST**

RECOMMENDED TOOLS: Hack saw, pipe joint sealant, screwdriver, level, 12" adjustable wrench, 10" pipe wrench, 5/64" hex key wrench, 9/16", 1/2", 7/16" socket wrench or open end wrench.

LOCATION OF UNIT: When installing Model 3060 Drinking Fountain, local, state or federal codes should be adhered to. If height other than shown is required, then dimensions must be adjusted accordingly.

SUPPLY LINE: The minimum recommended line size is 1/2"IPS with 30-90 psi (2-6 ATM) flowing pressure. Where sediment or mineral content is a problem, an inlet filter is recommended.

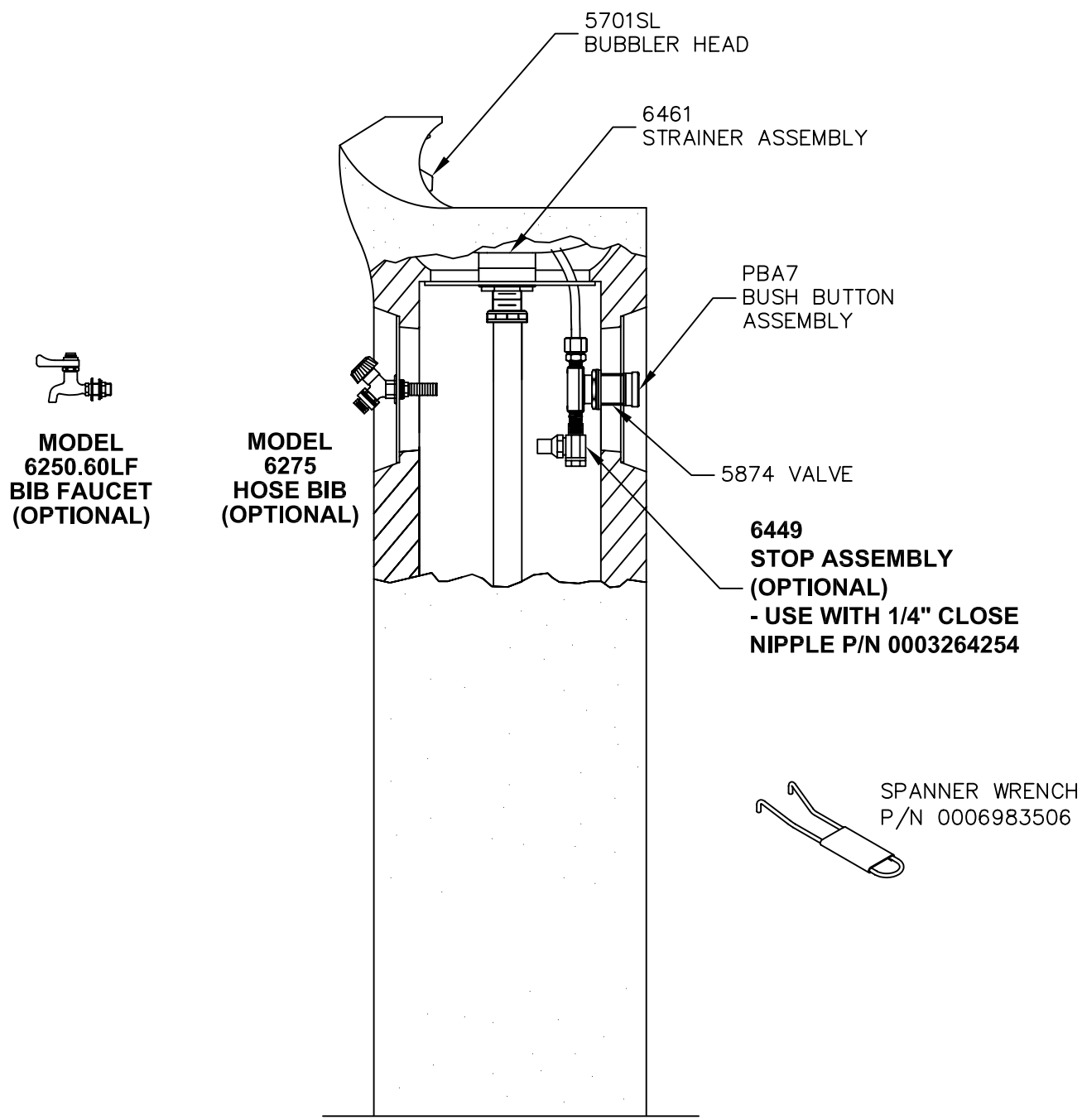
PLUMBING CONNECTIONS: Inlet is female 1/4" IPS. Waste outlet is 1-1/4" O.D. tailpiece.

MAINTENANCE: Periodically clean the strainer. Refer to 5874 Valve Manual for more information.

TROUBLESHOOTING

PROBLEM	REPAIR CHECKLIST
1. Insufficient bubbler flow.	1a. Check that inlet screwdriver stop valve is in wide-open position. b. Verify minimum 30 psi flowing supply pressure. c. Clean strainer. See 5874 Valve Manual. d. Adjust valve to increase flow. Use front adjust screw or see 5874 Valve Manual.


PARTS BREAKDOWN

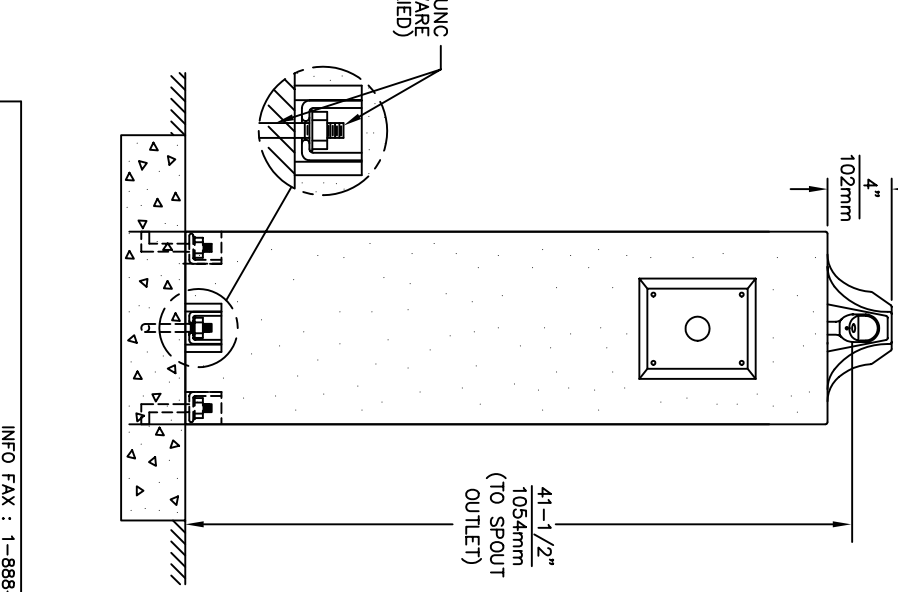
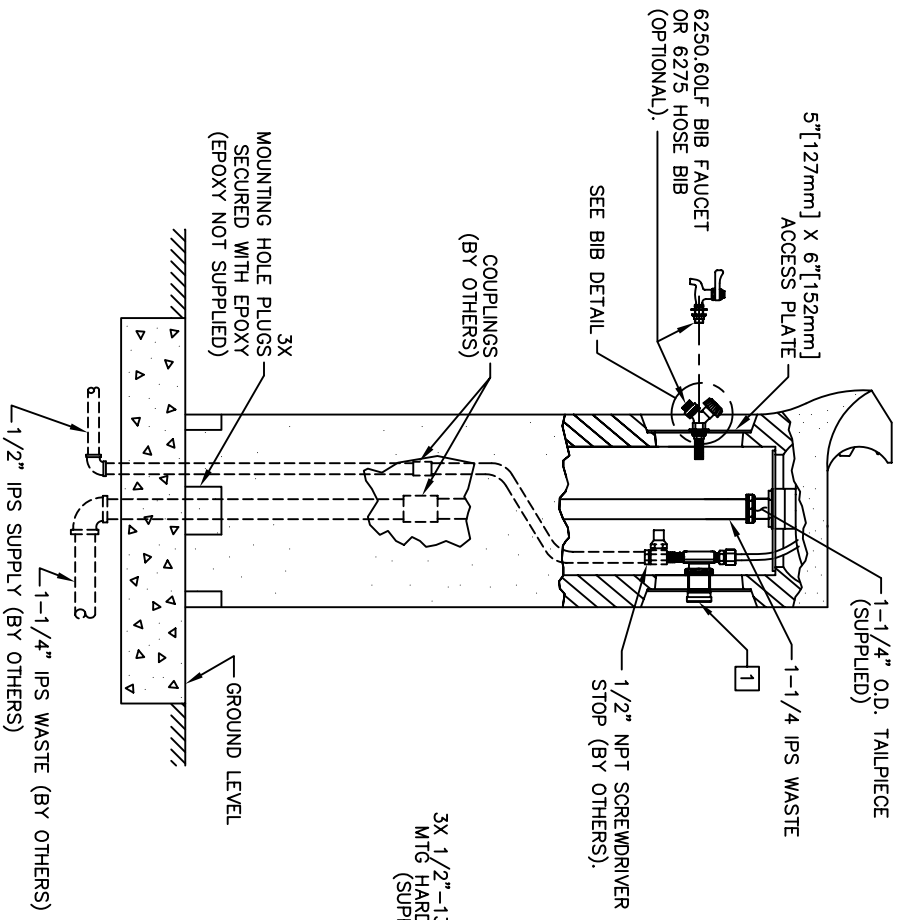
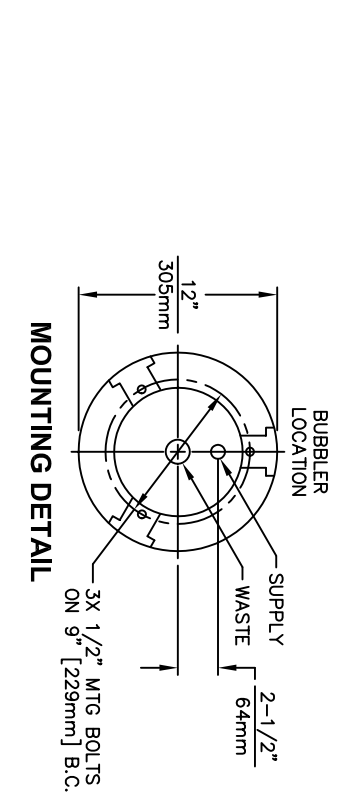
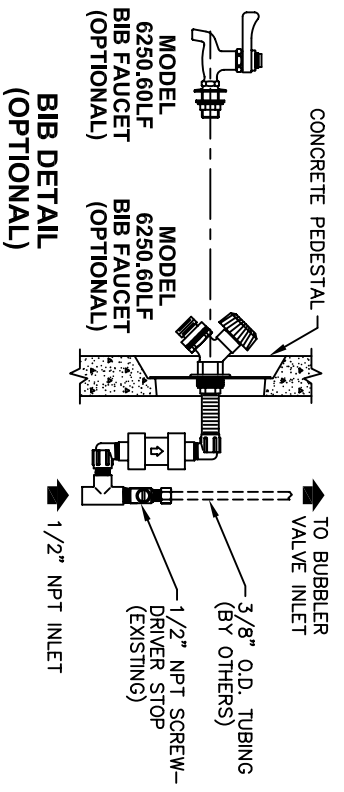


MODEL 6250.60LF BIB FAUCET (OPTIONAL)

MODEL 6275 HOSE BIB (OPTIONAL)

SPANNER WRENCH P/N 0006983506

WHEN ORDERING PARTS PLEASE SPECIFY YOUR MODEL NUMBER			1455 KLEPPE LANE SPARKS, NEVADA		BACHWEG 3 CH3401 BURGENDORF SWITZERLAND	
	DRAWN BY: D. OLLOM	DATE: 11/25/95	CHECK BY:	APP'D BY:	SCALE: 1/1	
	TITLE: 3060			PART NUMBER: 0002077030		
	DRAWING TYPE: PARTS BREAKDOWN			DRAWING NUMBER: 12804C00		REV. 14



- NOTES:**
- 1 REFER TO 5874/VRK5874 OPERATION AND MAINTENANCE MANUAL FOR PUSH BUTTON AND VALVE INSTALLATION/MAINTENANCE INSTRUCTIONS.

Haws Corporation		INFO FAX : 1-888-FAX-HAWS (1-888-329-4297) 1455 Kieppe Ln, Sparks, NV 89431 Phone: 775-359-4712 Fax: 775-359-7424 Haws Ag Building 3 CH-3401 Burgdorf, Switzerland Haws Mtg File Ltd 74 Sunglei Kodut Loop Singapore 729531 e-trail: Haws@hawsco.com Website: www.hawsco.com	
REG. NO. 3060 REG. DATE 08/90 REG. TYPE 1 APPROVER:	MODEL(S): 3060 INFO FAX DOC #: 23060 SCALE: 1:1 DRAWING TYPE: INSTALLATION/FAKBACK	REG. NO. 08935A00 REG. DATE 08/90 REG. TYPE 1 APPROVER:	REG. NO. 08935A00 REG. DATE 08/90 REG. TYPE 1 APPROVER: