

# 3377G

## Pedestal Mounted Drinking Fountain



### FEATURES & BENEFITS

#### Finish

Beautiful #4 satin stainless steel finish basin can be easily cleaned and maintained while also resisting corrosion.

#### Construction

Heavy duty 3/16" galvanized steel pedestal is supported by an integral mounting plate, and access is gained from the top down access plate. 18 gauge Type 304 Stainless Steel fountain with attractive and functional swirl bowl design, along with a vandal-resistant bottom plate provides a long lasting unit with added peace of mind.

#### Quality Control

Fountain is pre-built and fully water and pressure tested to ensure no leaks and proper function for reduced installation time and added peace of mind.

#### Bubbler Head

Polished chrome-plated brass bubbler head with integral laminar flow prevents splashing and provides a superior flow pattern. The integral basin shank and inserted roll pin adds vandal resistance strength to the design, and the shielded angled stream orifice produces a steady sanitary source of water.

#### Push Button

With its patented (Pat.# 6,981,692) push-button valve assembly which allows for front access stream adjustment as well as cartridge and strainer access, this fountain offers the ultimate in ease of maintenance.



### SPECIFICATIONS

Model 3377G barrier-free pedestal drinking fountain shall include a 14 gauge Type 304 Stainless Steel satin finish bracket, 18 gauge Type 304 Stainless Steel satin finish basin with integral swirl design, push-button operated valve with front-accessible cartridge and flow adjustment, polished chrome-plated brass vandal-resistant bubbler head with integral laminar anti-squirt flow, chrome-plated brass vandal-resistant waste strainer, vandal-resistant bottom plate, 3/16" galvanized steel top-access pedestal, integral mounting plate, and 1-1/4" IPS waste.

### OPTIONS

- Bubbler Head: Model 5725 EnviroGard™ bubbler is a polished chrome-plated solid brass bubbler head with stainless steel water activated pop up canopy. (Pat.# 7,025,282)
- Hose Bib: Model 6275, compression hose bib faucet assembly with rough chrome-plated finish.
- Bib Faucet: Model 6250LF, self-closing, plain end, lead-free, brass bib faucet with polished chrome-plated finish.
- Filter: Model 6426, 12" x 2", in-line lead removal element that reduces lead from incoming water supply.

To see all options for this model, visit [www.hawsc.com](http://www.hawsc.com).

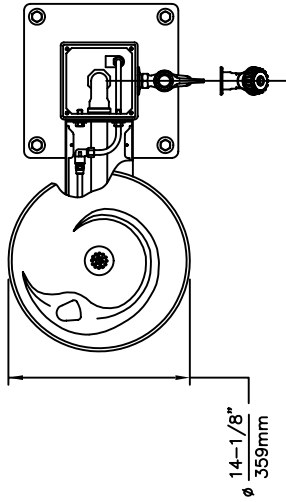
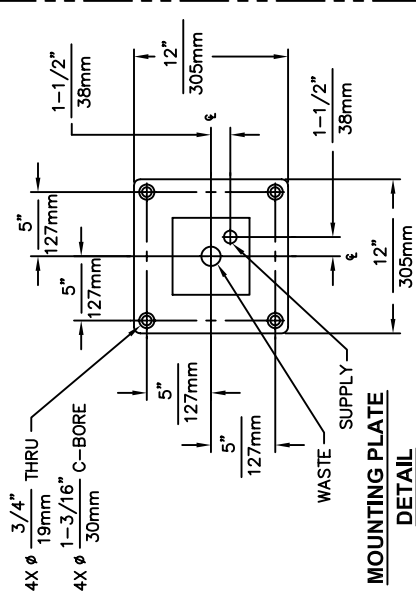
### APPLICATIONS

Perfect for either public or private outdoor settings, the 3377G is a great fit in areas where aesthetics are important to the overall appeal of the architecture. Suitable in areas where weather conditions exist, this series stands strong as a nice addition to any community. Galvanized finish help to maintain the fountains overall appeal so it remains looking as new as it did when it was installed. This type of pedestal drinking fountain may also be placed in a variety of settings such as: parks, schools, and other outdoor environments around office buildings where the temperature remains above freezing.

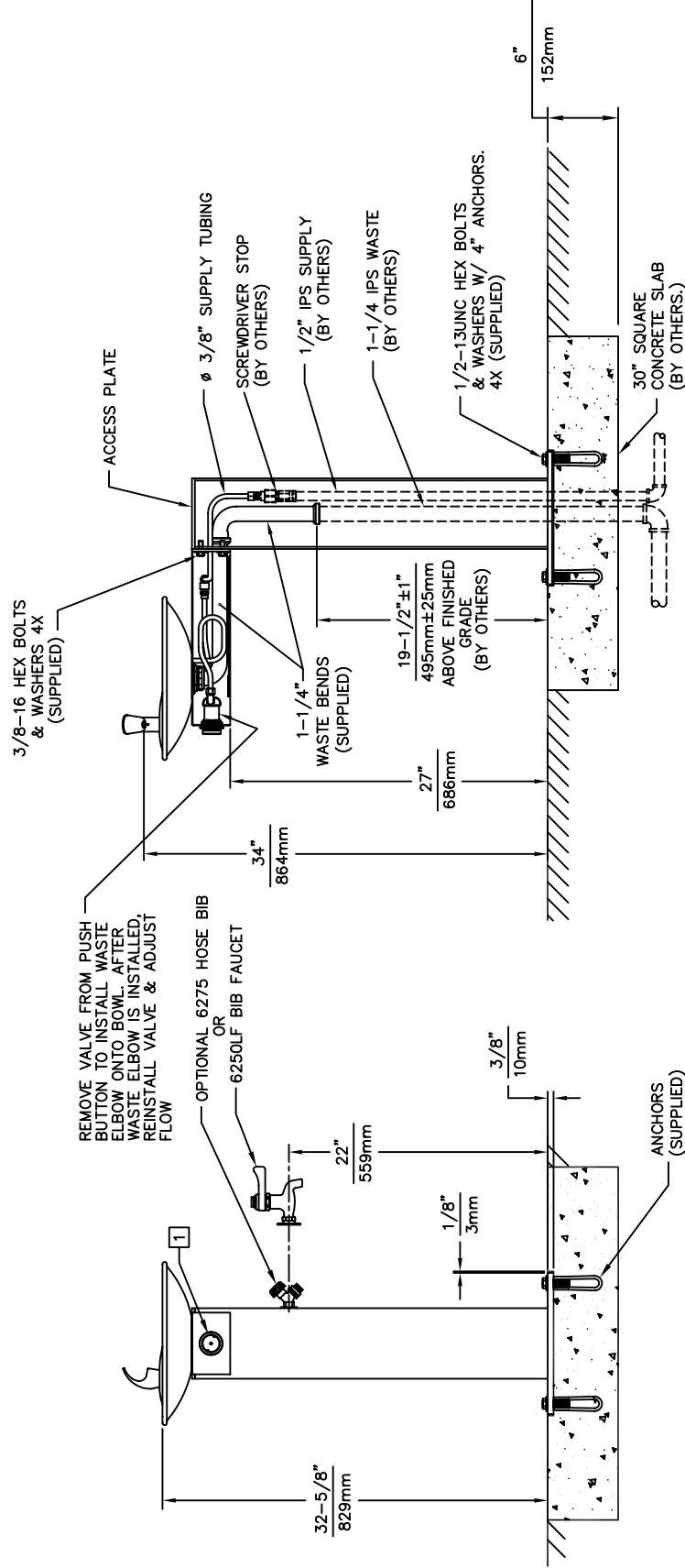
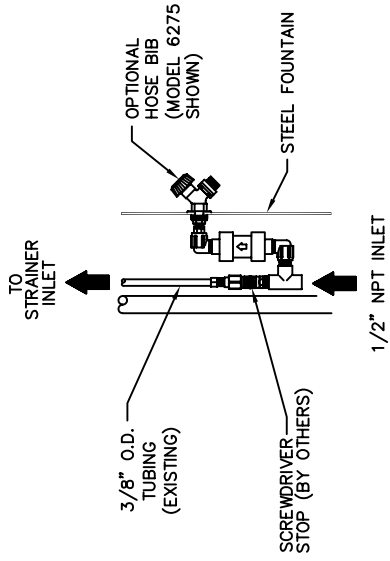
Model meets all current Federal Regulations for the disabled including those in the Americans with Disabilities Act. Haws manufactures drinking fountains, electric water coolers and electric drinking fountains to be lead-free by all known definitions including ANSI/NSF Standard 61, Section 9, California Proposition 65, and the Federal Safe Drinking Water Act.



THIS DOCUMENT IS TRUE AND CORRECT AT TIME OF PUBLICATION. CONTINUED PRODUCT IMPROVEMENTS MAKE SPECIFICATIONS AND MEASUREMENTS SUBJECT TO CHANGE WITHOUT NOTICE.



**OPTIONAL HOSE BIB DETAIL**



**NOTES:**

- [1] REFER TO 5874/VRK5874 OPERATION AND MAINTENANCE MANUAL FOR PUSH BUTTON AND VALVE INSTALLATION/MAINTENANCE INSTRUCTIONS.



INFO FAX : 1-888-FAX-HAWS (1-888-329-4297)  
 1455 Kleppe Ln, Sparks NV, 89431  
 Phone: 775-359-4712 Fax: 775-359-7424  
 Haws Ag, Bachweg 3, CH-3401 Burgdorf Switzerland  
 Haws Mfg Pte Ltd 74 Sungai Kadut Loop Singapore 729531  
 e-mail: Haws@hawsco.com website: www.hawsco.com

FOR NO.:	REVISION:	DATE:	BY:
ECN: 4166	05/07		
APPROVE:			
MODEL(S):	3377/3377G	INFO FAX DOC #:	23377/23377A
SCALE:	1:1	TRAINING TYPE:	INSTALLATION/FABRICK
DRAWING NUMBER:	13066A00	BY:	0002072364.D
SIZE:	A	SHEET:	1 OF 1



# INSTALLATION, OPERATION & MAINTENANCE INSTRUCTIONS

1455 Kleppe Lane ♦ Sparks, NV 89431-6467

♦(775) 359-4712 ♦Fax (775) 359-7424

HAWS AG ♦Bachweg 3 ♦CH-3401 Burgdorf ♦ Switzerland

Haws Mfg. Pte Lt. ♦2A Sungei Kadet Drive ♦Singapore 729554

Avlis-Avenida Senador, Testonio Vilela ♦505 Jardim Aeroporto ♦ Itu, S.P. 13304-550 ♦Brasil

E-mail: [haws@hawsco.com](mailto:haws@hawsco.com) ♦ website: [www.hawsco.com](http://www.hawsco.com)

No. 2077364(9)

## Model 3377/3377G Drinking Fountain

**NOTE TO INSTALLER: Please leave this information with the Maintenance Department.**

### LIMITED WARRANTY

HAWS® warrants that all of its products are guaranteed against defective material or poor workmanship for a period of **one year from date of shipment**. HAWS liability under this warranty shall be discharged by furnishing without charge F.O.B. HAWS Factory any goods, or part thereof, which shall appear to the Company upon inspection to be of defective material or not of first class workmanship, provided that claim is made in writing to company within a reasonable period after receipt of the product. Where claims for defects are made, the defective part or parts shall be delivered to the Company, prepaid, for inspection. HAWS will not be liable for the cost of repairs, alterations or replacements, or for any expense connected therewith made by the owner or his agents, except upon written authority from HAWS, Sparks, Nevada. HAWS will not be liable for any damages caused by defective materials or poor workmanship, except for replacements, as provided above. Buyer agrees that Haws has made no other warranties either expressed or implied in addition to those above stated, except that of title with respect to any of the products or equipment sold hereunder and that HAWS shall not be liable for general, special, or consequential damages claimed to arise under the contract of sale. The drinking fountain manufactured by HAWS is warranted to function if installation and maintenance instructions provided are adhered to. The units also must be used for the purpose for which they were intended.

**NO OTHER WARRANTIES EXPRESSED OR IMPLIED ARE AUTHORIZED, PROVIDED OR GIVEN BY HAWS.**

**SHOULD YOU EXPERIENCE DIFFICULTY WITH THE INSTALLATION OF THIS MODEL, PLEASE CALL:**

**1-800-766-5612**

**FOR PARTS CALL:**

**1-800-758-9378**

**(U.S.A. AND CANADA ONLY) MONDAY-THURSDAY: 6:00 A.M. – 4:00 P.M. PST  
FRIDAY: 6:00 A.M – 1:00 P.M. PST**

**RECOMMENDED TOOLS:** Hack saw, pipe joint sealant, screwdriver, level, 12" adjustable wrench, 10" pipe wrench, 3/32" and 5/32" hex key wrench, 9/16", 1/2", 7/16" socket wrench or open end wrench.

**LOCATION OF UNIT:** The Model 3377/3377G Drinking Fountain is a wheelchair accessible drinking water facility. The height dimensions shown, meet current ADA requirements. When installing this unit, local, state or federal codes should be adhered to. If height other than shown is required, then dimensions must be adjusted accordingly.

**SUPPLY LINE:** The minimum recommended line size is 1/2" IPS with 30-90 psi (2-6 ATM) flowing pressure. Where sediment or mineral content is a problem, an inlet filter is recommended.

**PLUMBING CONNECTIONS:** Inlet is 1/4" IPS male fitting. Waste outlet is 1-1/4" Slip Joint.

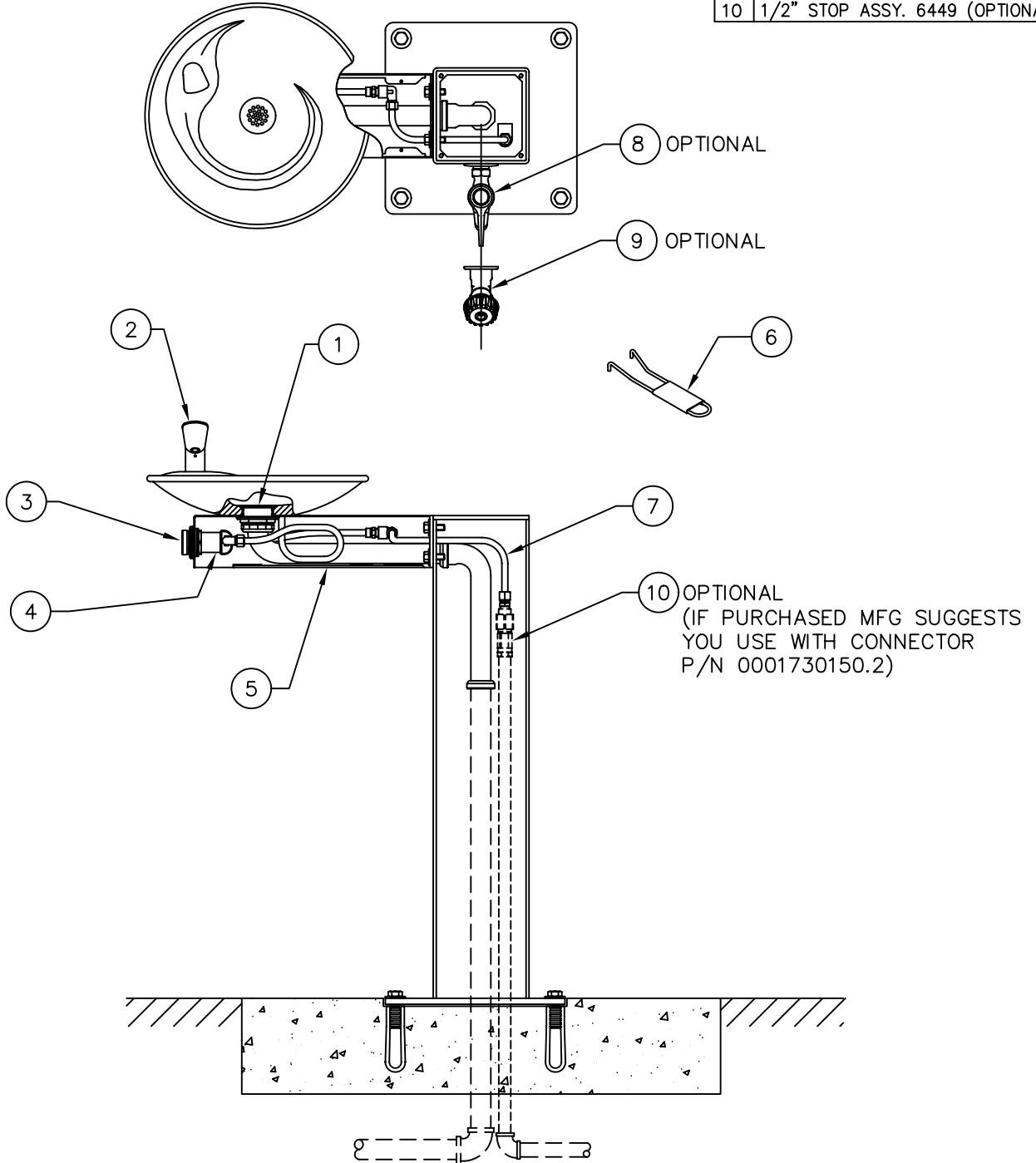
**MAINTENANCE:** Periodically clean the strainer. Refer to 5874 Valve Manual for information.

### TROUBLESHOOTING

PROBLEM	REPAIR CHECKLIST
1. Insufficient bubbler flow.	1a. Check that inlet screwdriver stop valve is wide open. b. Verify minimum 30 psi flowing supply pressure. c. Clean inlet strainer. See 5874 Valve Manual. d. Adjust valve to increase flow. Use front adjust screw or see 5874 Valve Manual.

# PARTS BREAKDOWN

ITEM	DESCRIPTION
1	STRAINER ASSY 6463
2	HEAD W/LAMINAR INSERT 5705
3	PUSH BUTTON ASSY PBA6
4	VALVE, 5874
5	BOTTOM PLATE PBM1000
6	SPANNER WRENCH P/N 0006983506
7	SUPPLY TUBING $\phi$ 3/8"
8	BIB FAUCET 6250LF (OPTIONAL)
9	HOSE BIB 6275 (OPTIONAL)
10	1/2" STOP ASSY. 6449 (OPTIONAL)



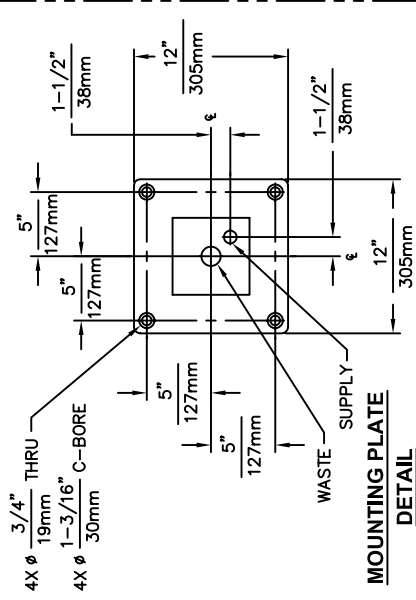
**WHEN ORDERING  
PARTS PLEASE  
SPECIFY YOUR  
MODEL NUMBER**



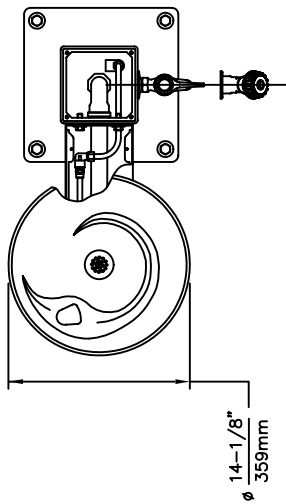
1455 KLEPPE LANE BACHWEG 3  
SPARKS, NEVADA CH3401 BURGDORF  
SWITZERLAND

DRAWN BY: RTM	DATE: 10/20/98	CHECK BY:	APP'D BY:	SCALE: 1/5
TITLE: 3377/3377G			PART NUMBER: 0002077364	
DRAWING TYPE: PARTS BREAKDOWN			DRAWING NUMBER: 13360C00	REV. 9

THIS DOCUMENT IS TRUE AND CORRECT AT TIME OF PUBLICATION. CONTINUED PRODUCT IMPROVEMENTS MAKE SPECIFICATIONS AND MEASUREMENTS SUBJECT TO CHANGE WITHOUT NOTICE.

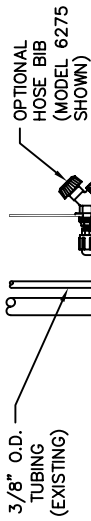


**MOUNTING PLATE DETAIL**



14-1/8"  $\phi$  359mm

TO STRAINER INLET



3/8" O.D. TUBING (EXISTING)

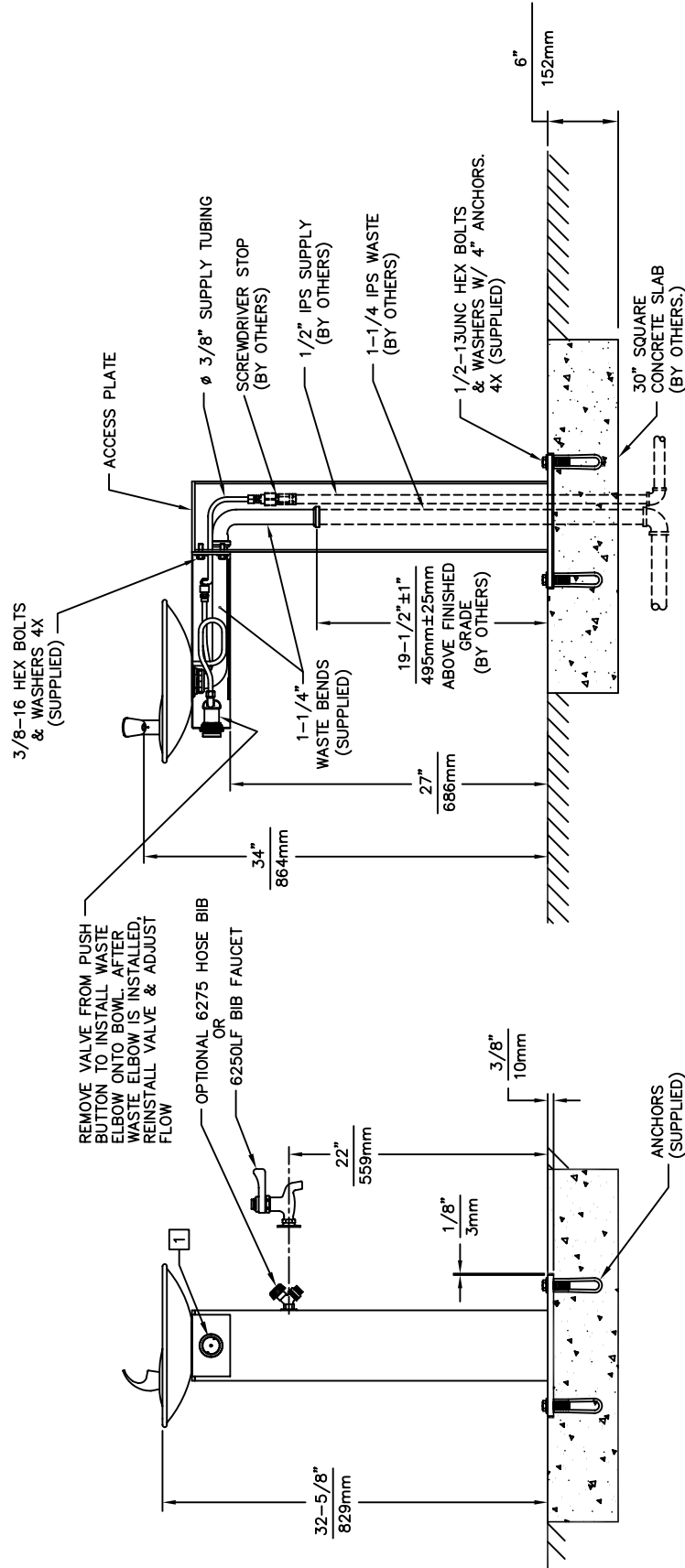
SCREWDRIVER STOP (BY OTHERS)

OPTIONAL HOSE BIB (MODEL 6275 SHOWN)

STEEL FOUNTAIN

1/2" NPT INLET

**OPTIONAL HOSE BIB DETAIL**



3/8-16 HEX BOLTS & WASHERS 4X (SUPPLIED)

REMOVE VALVE FROM PUSH BUTTON TO INSTALL WASTE ELBOW ONTO BOWL. AFTER WASTE ELBOW IS INSTALLED, REINSTALL VALVE & ADJUST FLOW

OPTIONAL 6275 HOSE BIB OR 6250LF BIB FAUCET

ACCESS PLATE

$\phi$  3/8" SUPPLY TUBING

SCREWDRIVER STOP (BY OTHERS)

1-1/4" WASTE BENDS (SUPPLIED)

19-1/2"  $\pm 1$ " 495mm  $\pm 25$ mm ABOVE FINISHED GRADE (BY OTHERS)

27" 686mm

34" 864mm

1-1/4" IPS SUPPLY (BY OTHERS)

1-1/4" IPS WASTE (BY OTHERS)

1/2-13UNC HEX BOLTS & WASHERS W/ 4" ANCHORS. 4X (SUPPLIED)

6"

152mm

30" SQUARE CONCRETE SLAB (BY OTHERS.)

ANCHORS (SUPPLIED)

**NOTES:**

- [1] REFER TO 5874/VRK5874 OPERATION AND MAINTENANCE MANUAL FOR PUSH BUTTON AND VALVE INSTALLATION/MAINTENANCE INSTRUCTIONS.



INFO FAX : 1-888-FAX-HAWS (1-888-329-4297)  
 1455 Kleppe Ln, Sparks NV, 89431  
 Phone: 775-359-4712 Fax: 775-359-7424  
 Haws Ag, Bachweg 3, CH-3401 Burgdorf Switzerland  
 Haws Mfg Pte Ltd 74 Sungai Kadut Loop Singapore 729531  
 e-mail: Haws@hawsco.com website: www.hawsco.com

FOR NO. REVISION PER	DATE	BY	APPROVE:
ECN: 4166	05/07		
MODEL(S):	3377/3377G		
INFO FAX DOC #:	23377/23377A		
SCALE:	1:1		
TRAINING TYPE:	INSTALLATION/FABRICK		
DRAWING NUMBER:	13066A00		
BY:	0007072364.D		
SIZE:	A SHI. 1 OF 1		