

1109FR

Wall Mounted Drinking Fountain



FEATURES & BENEFITS

Bubbler Head

Polished chrome-plated brass bubbler head features an integral basin shank for added strength, and is equipped with a shielded, anti-squirt orifice that provides a steady sanitary source of water.

Finish

Beautiful #4 satin stainless steel finish basin can be easily cleaned and maintained while also resisting corrosion.

All-Weather Capabilities

Fully engineered system with the pneumatic operated freeze-resistant valve installed below frost line to drain water to non-freezing depth allowing fountain to function year-round. Assembly can be lifted to surface and lowered back into casing for easy maintenance without disturbing the fountain.

Construction

18 gauge Type 304 Stainless Steel construction with vandal-resistant bottom plates provides a long lasting unit with added peace of mind.



OPTIONS

- ❑ Mounting: Model 6700 universal mounting plate for most wall mounted fountains.

SPECIFICATIONS

Model 1109FR wall mounted barrier-free drinking fountain shall include an 18 gauge Type 304 Stainless Steel satin finish basin, polished chrome-plated brass vandal-resistant bubbler head, polished chrome-plated brass push-button which a pneumatic valve installed on the inside wall where room temperatures do not drop below 50°F, self-draining water lines which protect the unit from freezing, polished chrome-plated brass vandal resistant waste strainer, and 1-1/4" O.D. waste pipe.

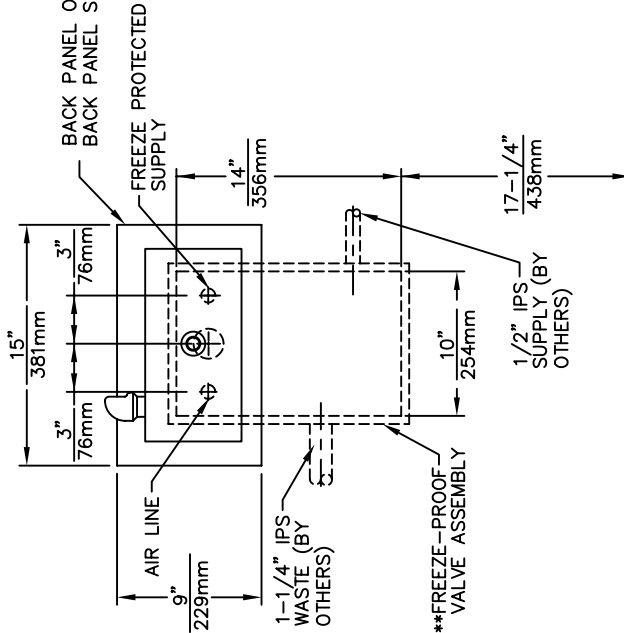
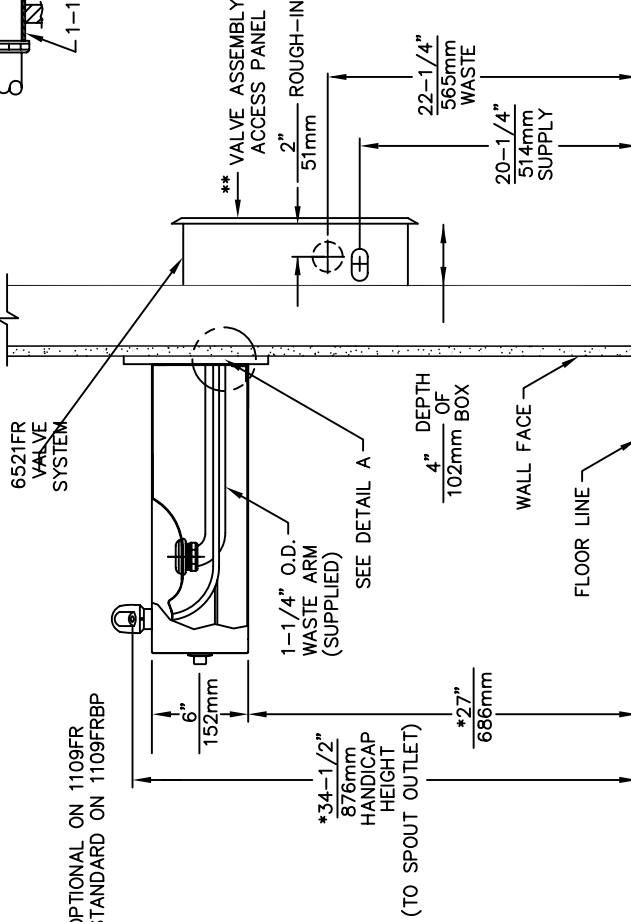
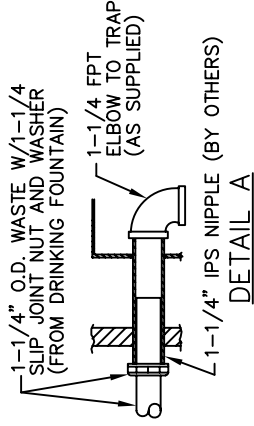
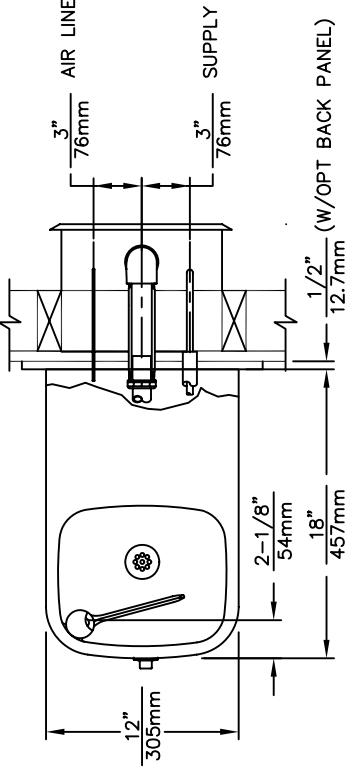
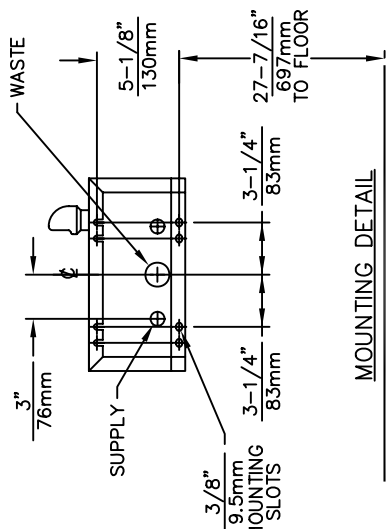
APPLICATIONS

Perfect for either public or private outdoor settings, Model 1109FR is a great fit in areas where aesthetics are important to the overall appeal of the architecture. This series is precisely mounted, making it a nice addition to any surrounding. Beautiful satin finish helps to maintain the fountains overall appeal so it always remains looking as new as it did when it was installed. Specifically, this type of wall mounted drinking fountain may be placed in settings such as: parks, schools, and other facilities where the temperature may drop into freezing conditions.

Model meets all current Federal Regulations for the disabled including those in the Americans with Disabilities Act. Haws manufactures drinking fountains, electric water coolers and electric drinking fountains to be lead-free by all known definitions including ANSI/NSF Standard 61, Section 9, California Proposition 65, and the Federal Safe Drinking Water Act.



THIS DOCUMENT IS TRUE AND CORRECT AT TIME OF PUBLICATION. CONTINUED PRODUCT IMPROVEMENTS MAKE SPECIFICATIONS AND MEASUREMENTS SUBJECT TO CHANGE WITHOUT NOTICE.



** VALVE ASSEMBLY MUST BE INSTALLED IN A WARM AREA. PROVISIONS SHOULD BE MADE TO ALLOW ACCESS TO ACCESS PANEL

HOLD ROUGH-IN DIMENSIONS $\pm 1/4"$ (6.4mm).

* WHEN INSTALLING THIS UNIT LOCAL, STATE OR FEDERAL CODES SHOULD BE ADHERED TO. FOR INSTALLATION HEIGHTS OTHER THAN SHOWN, DIMENSIONS MARKED (*) MUST BE ADJUSTED ACCORDINGLY.

INFO FAX : 1-888-FAX-HAWS (1-888-329-4297)
 1455 Kleppe Ln, Sparks NV, 89431
 Phone: 775-359-4712 Fax: 775-359-7424
 Haws Ag Bachweg 3 CH-3401 Burgdorf Switzerland
 Haws Mfg Pte Ltd 14 Sungai Kadut Loop Singapore 729531
 e-mail: Haws@hawsco.com website: www.hawsco.com

FOR NO.:	REVISION:	DATE:	BY:
ECN: 4173	06	08	
DATE:	DATE:	DATE:	DATE:
APPROVED:	DATE:	DATE:	DATE:
MODEL(S):	1109FR/1109FRBP		
INFO FAX DOC #:	2110937		
SCALE:	1:12	INSTALLATION/FABRICATION	
DRAWING NUMBER:	13639C00	REV:	19
PART NUMBER:	0007076626.D	SIZE:	A
			1 OF 1



INSTALLATION, OPERATION & MAINTENANCE INSTRUCTIONS

1455 Kleppe Lane ♦ Sparks, NV 89431-6467 ♦ (775) 359-4712 ♦ Fax (775) 359-7424
HAWS AG ♦ Bachweg 3 ♦ CH-3401 Burgdorf ♦ Switzerland
Haws Mfg. Pte Lt. ♦ 2A Sungei Kadet Drive ♦ Singapore 729554
Avlis-Avenida Senador, Testonio Vilela ♦ 505 Jardim Aeroporto ♦ Itu, S.P. 13304-550 ♦ Brasil
E-mail: haws@hawsco.com ♦ website: www.hawsco.com

No. 2076626(9)

Model 1109FR/1109FRBP Drinking Fountain

NOTE TO INSTALLER: Please leave this information with the Maintenance Department.

LIMITED WARRANTY

HAWS® warrants that all of its products are guaranteed against defective material or poor workmanship for a period of **one year from date of shipment**. HAWS liability under this warranty shall be discharged by furnishing without charge F.O.B. HAWS Factory any goods, or part thereof, which shall appear to the Company upon inspection to be of defective material or not of first class workmanship, provided that claim is made in writing to company within a reasonable period after receipt of the product. Where claims for defects are made, the defective part or parts shall be delivered to the Company, prepaid, for inspection. HAWS will not be liable for the cost of repairs, alterations or replacements, or for any expense connected therewith made by the owner or his agents, except upon written authority from HAWS, Sparks, Nevada. HAWS will not be liable for any damages caused by defective materials or poor workmanship, except for replacements, as provided above. Buyer agrees that Haws has made no other warranties either expressed or implied in addition to those above stated, except that of title with respect to any of the products or equipment sold hereunder and that HAWS shall not be liable for general, special, or consequential damages claimed to arise under the contract of sale. The drinking fountain manufactured by HAWS is warranted to function if installation and maintenance instructions provided are adhered to. The units also must be used for the purpose for which they were intended.

NO OTHER WARRANTIES EXPRESSED OR IMPLIED ARE AUTHORIZED, PROVIDED OR GIVEN BY HAWS.

SHOULD YOU EXPERIENCE DIFFICULTY WITH THE INSTALLATION OF THIS MODEL, PLEASE CALL:

1-800-766-5612

FOR PARTS CALL:

1-800-758-9378

**(U.S.A. AND CANADA ONLY) MONDAY-THURSDAY: 6:00 A.M. – 4:00 P.M. PST
FRIDAY: 6:00 A.M – 1:00 P.M. PST**

RECOMMENDED TOOLS: Hack saw, pipe joint sealant, screwdriver, level, 12" adjustable wrench, 10" pipe wrench, 5/64" hex key wrench, 9/16", 1/2", 7/16" socket wrench or open end wrench.

LOCATION OF UNIT: The Model 1109FR/1109FRBP Drinking Fountain is a wheelchair accessible drinking water facility. The height dimensions shown, meet current ADA requirements. When installing this unit, local, state or federal codes should be adhered to. If height other than shown is required, then dimensions must be adjusted accordingly.

SUPPLY LINE: The minimum recommended line size is 1/2"IPS with 30-90 psi (2-6 ATM) flowing pressure. Where sediment or mineral content is a problem, an inlet filter is recommended.

PLUMBING CONNECTIONS: Waste outlet is 1-1/4" IPS.

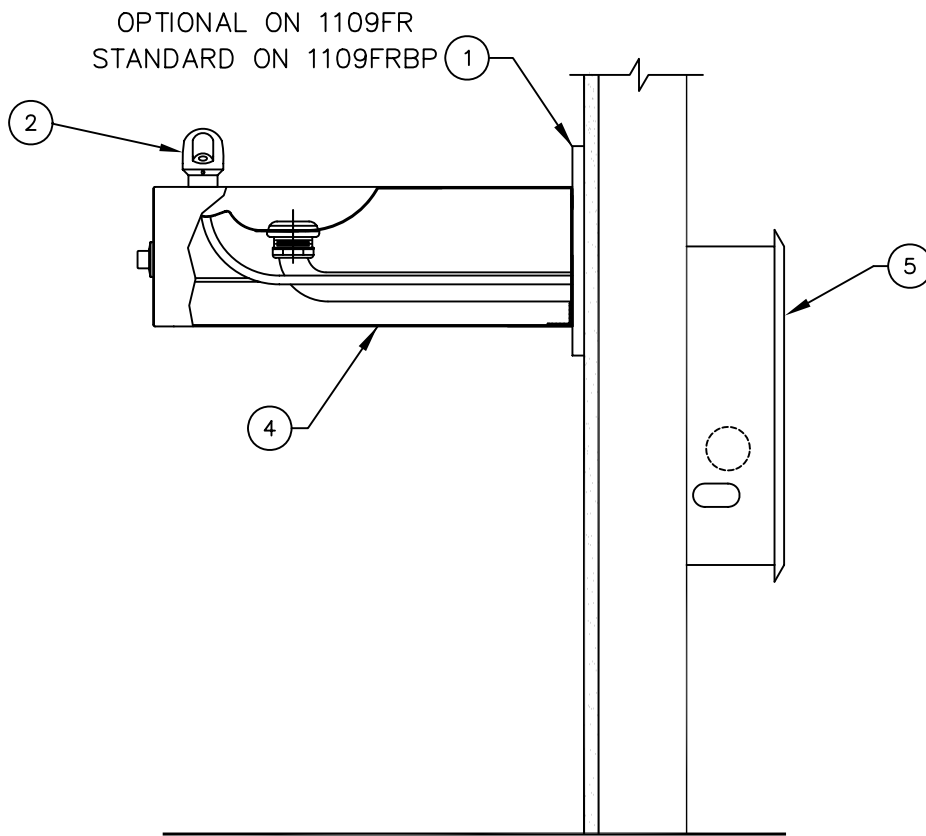
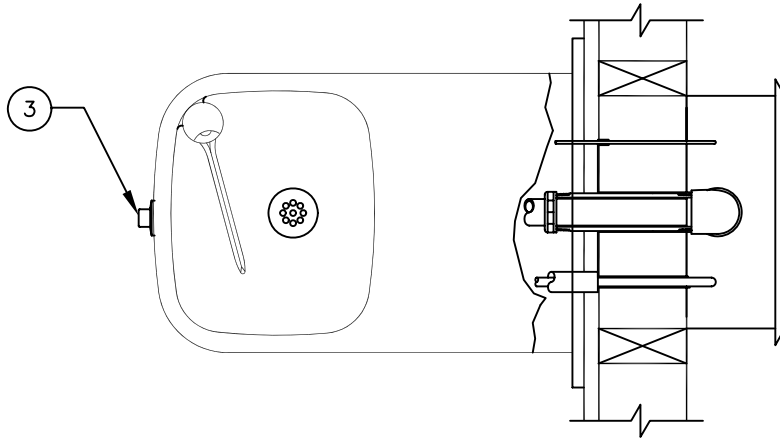
MAINTENANCE: Periodically clean the strainer. Refer to 6521FR Valve Operation and Maintenance Sheet for more information.


TROUBLESHOOTING

PROBLEM	REPAIR CHECKLIST
1. Insufficient bubbler flow.	1a. Check that inlet screwdriver stop valve is wide open. (Customer supplied). Turn counterclockwise. b. Verify minimum 30psi flowing supply pressure. c. Adjust valve to increase flow. Use front adjust screw see 6521FR Valve Manual.

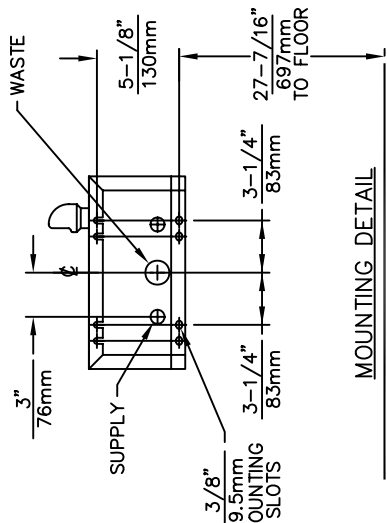
ITEM	DESCRIPTION
1	BACK PANEL BP3
2	BUBBLER HEAD 5703M
3	PUSH BTN ASS'Y 5881PBA
4	BOTTOM PLATE PBM1109
5	FREEZE RESISTANT BOX 6521FR

PARTS BREAKDOWN

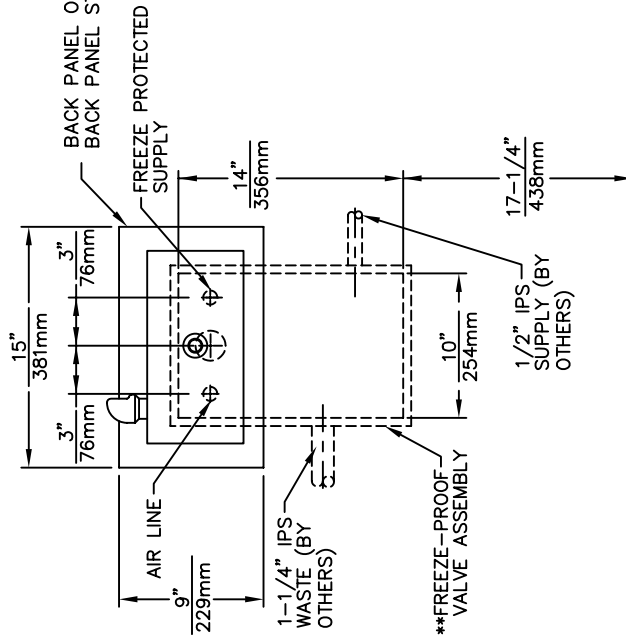
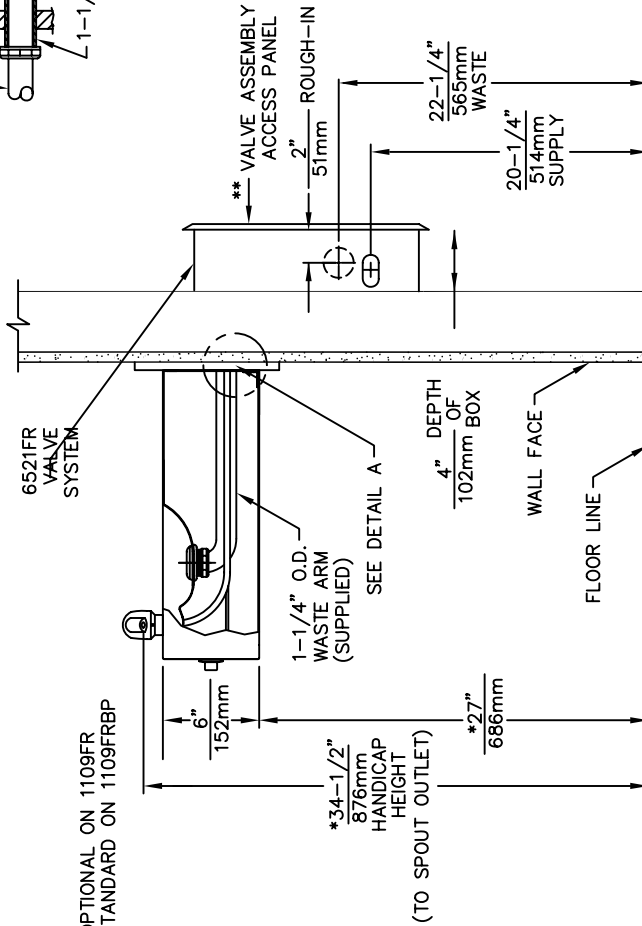
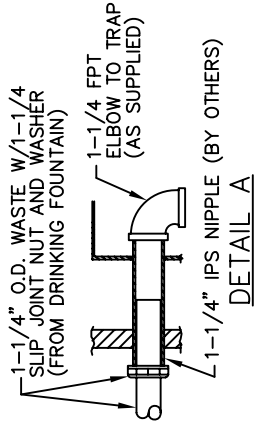
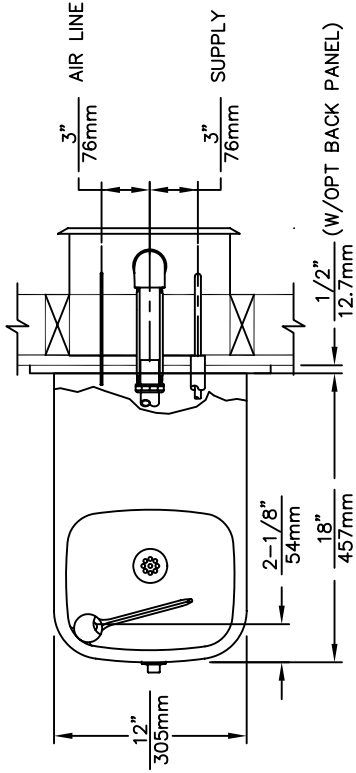


<p>WHEN ORDERING PARTS PLEASE SPECIFY YOUR MODEL NUMBER</p>			1455 KLEPPE LANE SPARKS, NEVADA		BACHWEG 3 CH3401 BURGDORF SWITZERLAND	
	DRAWN BY: F. VASQUEZ	DATE: 06/05/98	CHECK BY:	APP'D BY:	SCALE: 1/4	
	TITLE: 1109FR/1109FRBP				PART NUMBER: 0002076626	
	DRAWING TYPE: PARTS BREAKDOWN				DRAWING NUMBER: 13377C00	REV: 9

THIS DOCUMENT IS TRUE AND CORRECT AT TIME OF PUBLICATION. CONTINUED PRODUCT IMPROVEMENTS MAKE SPECIFICATIONS AND MEASUREMENTS SUBJECT TO CHANGE WITHOUT NOTICE.



MOUNTING DETAIL



** VALVE ASSEMBLY MUST BE INSTALLED IN A WARM AREA. PROVISIONS SHOULD BE MADE TO ALLOW ACCESS TO ACCESS PANEL

HOLD ROUGH-IN DIMENSIONS $\pm 1/4$ " (6.4mm).

* WHEN INSTALLING THIS UNIT LOCAL, STATE OR FEDERAL CODES SHOULD BE ADHERED TO. FOR INSTALLATION HEIGHTS OTHER THAN SHOWN, DIMENSIONS MARKED (*) MUST BE ADJUSTED ACCORDINGLY.



INFO FAX : 1-888-FAX-HAWS (1-888-329-4297)
 1455 Kleppe Ln, Sparks NV, 89431
 Phone: 775-359-4712 Fax: 775-359-7424
 Haws Ag, Bachweg 3, CH-3401 Burgdorf Switzerland
 Haws Mfg Pte Ltd 74 Sungai Kadut Loop Singapore 729531
 e-mail: Haws@hawsco.com website: www.hawsco.com

FOR NO.	REVISED PER	DATE	BY	DATE	APPROVED
	ECN: 4173	06/08	HM		
MODEL(S):	1109FR/1109FRBP				
INFO FAX DOC #:	2110937				
SCALE:	1:1				
DRAWING NAME:	INSTALLATION/FABRACK				
SIZE:	A				
SHEET:	1 OF 1				
REV:	1				
DATE:	06/07/07				
BY:	13639C00				
CHKD:	66226.D				