

# 3060FR

## Pedestal Mounted Drinking Fountain



### FEATURES & BENEFITS

#### All-Weather Capabilities

Fully engineered system with the pneumatic operated freeze-resistant valve installed below frost line to drain water to non-freezing depth allowing fountain to function year-round. Assembly can be lifted to surface and lowered back into casing for easy maintenance without disturbing the fountain.

#### Construction

Heavy-duty vibra-cast reinforced concrete construction with exposed aggregate finish provide a perfect addition to outside environments, along with a vandal-resistant access plate for added peace of mind. Stainless steel basin with a high-polished finish compliments almost any setting, and it also resists stains and corrosion.

#### Bubbler Head

Polished chrome-plated brass bubbler head is equipped with a shielded, anti-squirt orifice that provides a steady sanitary source of water.



### OPTIONS

- Valve Box: Model 6625, ground box with lid, used with freeze-resistant valve models 6518FR and 6518.2FR.
- Concrete Colors: Haws offers the full palette of L.M. Scofield's integral admixtures as illustrated on the L.M. Scofield color chart and the choice of 4 different finishes. White cement is also available.

### SPECIFICATIONS

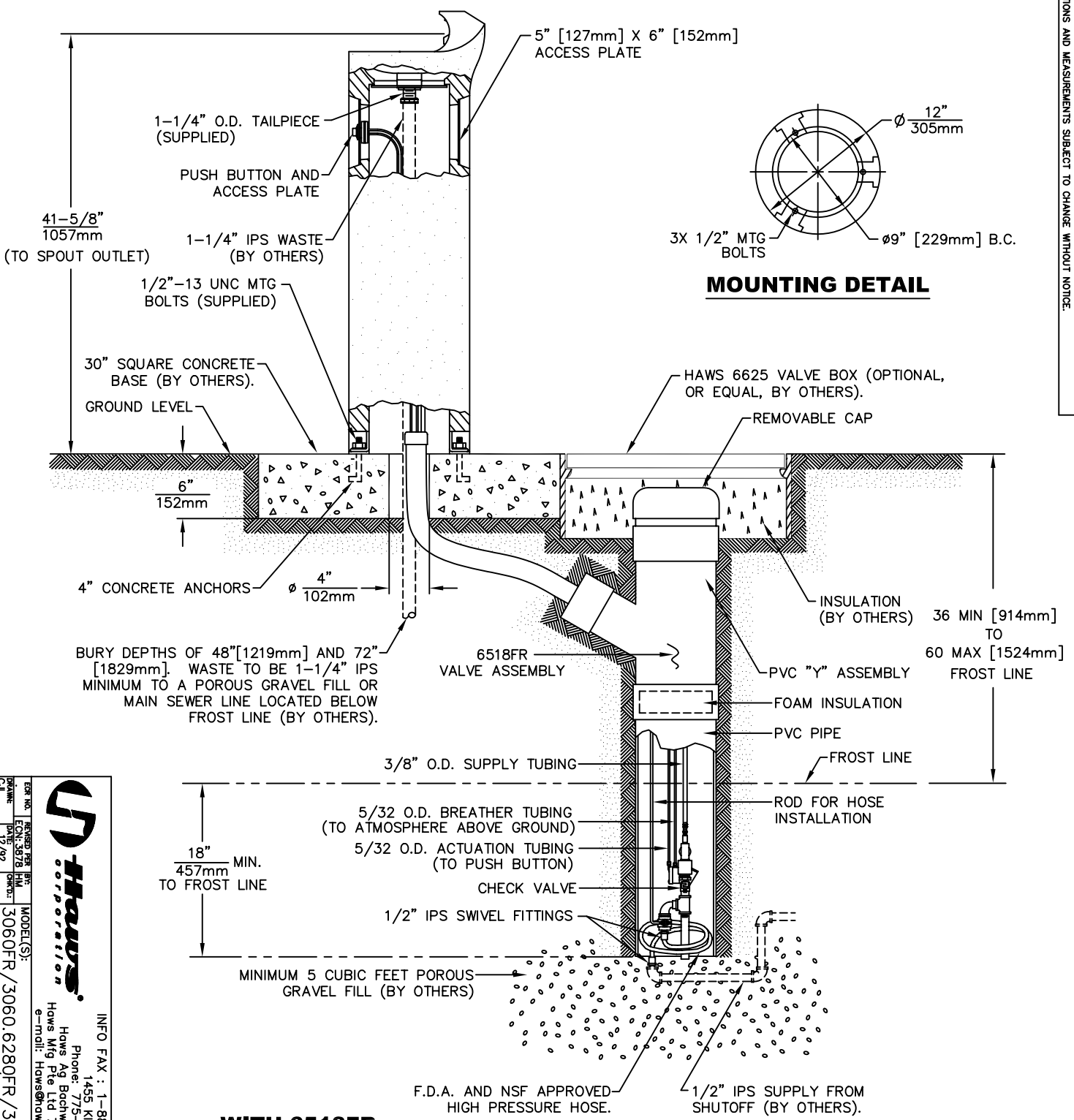
Model 3060FR freeze-resistant circular concrete pedestal drinking fountain shall include a polished stainless steel basin, polished chrome-plated push-button, polished chrome-plated brass vandal-resistant bubbler head protected by a hood extension, polished chrome-plated brass vandal-resistant waste strainer, Portland Gray exposed aggregate concrete finish with wire reinforcement, integral mounting feet, vandal-resistant stainless steel access plate, and 1-1/4" O.D. tailpiece.

### APPLICATIONS

Perfect for either public or private settings, our concrete vibra-cast series is a great fit in "open-air" environments. Suitable in areas where weather conditions may be cause for concern, this series stands strong in harsh environments. Reinforced concrete vibra-cast design not only protects from corrosion, its Portland Gray color makes it recognizable enough to locate without compromising the outdoor atmosphere. This type of pedestal drinking fountain may also be placed in a variety of settings such as: parks, schools, and other recreational outdoor environments where the temperature may drop into freezing conditions.

Haws manufactures drinking fountains, electric water coolers and electric drinking fountains to be lead-free by all known definitions including ANSI/NSF Standard 61, Section 9, California Proposition 65, and the Federal Safe Drinking Water Act.





**MOUNTING DETAIL**

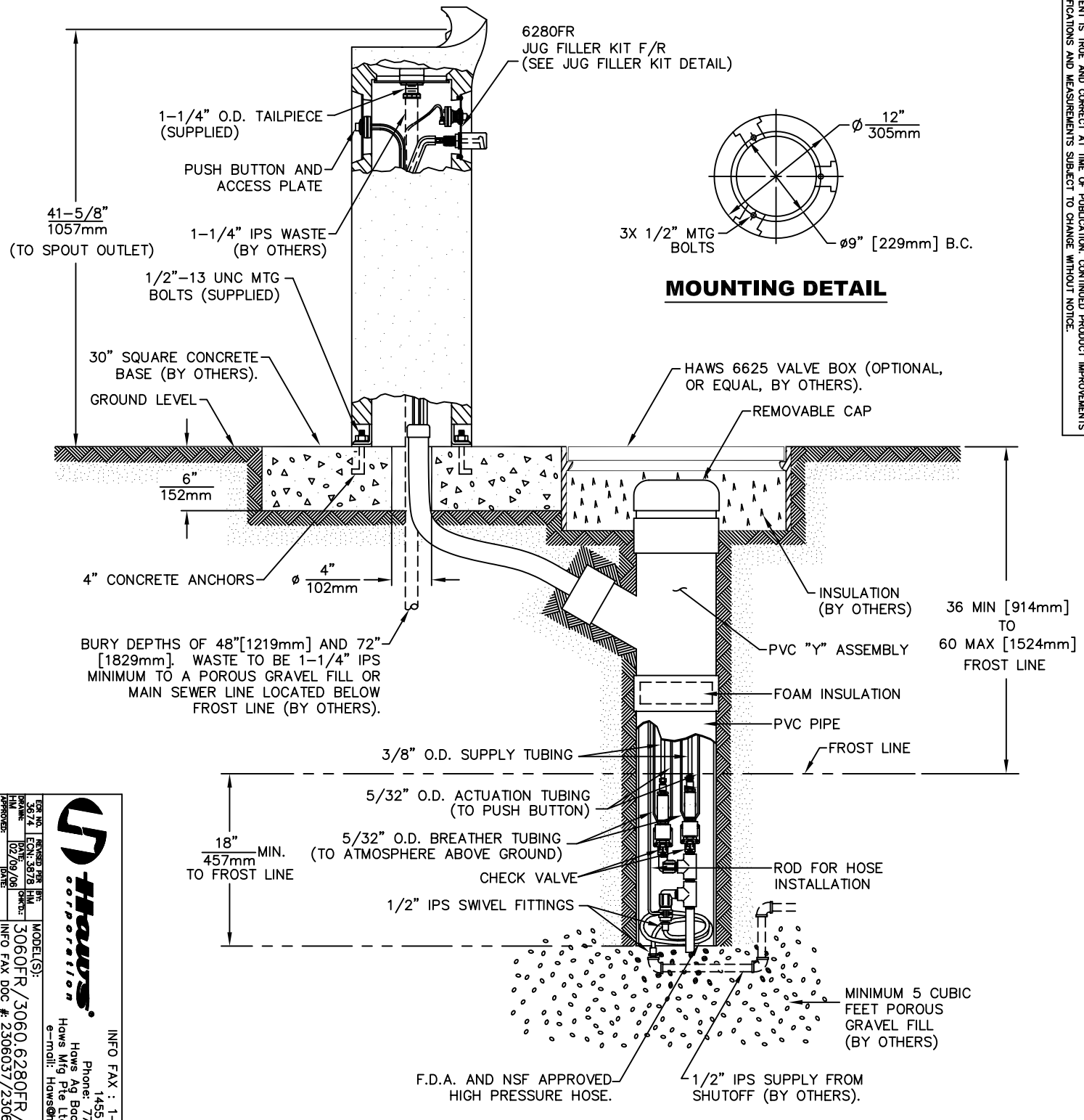
**WITH 6518FR VALVE ASSEMBLY**

SEE SHEET 4 OF 4 FOR DETAILS

**NOTE:**

1. SEE MODEL 3060.6280FR (SHT. 2 OF 4) FOR UNIT CONFIGURED WITH 6280FR JUG FILLER KIT.
2. SEE MODEL 3060.6519FR (SHT. 3 OF 4) FOR UNIT CONFIGURED WITH 6519FR FREEZE VALVE.

<b>Haws Corporation</b>	
REG. NO. 12/92 EONE 3476 DATE 12/92 CHECKED APPROVED	MODEL(S): 3060FR / 3060.6280FR / 3060.6519FR INFO FAX DOC # 2306037/23060628/23060937 SCALE: 1/4" = 1'-0"
Haws Hwy 49 Burgdorf Haws Mtg. Pk. Bldg 74 e-mail: Haws@hawsco.com website: www.hawsco.com	Phone: 775-359-4712 Fax: 775-359-7424 CH-3401 Burgdorf Switzerland Haws Mtg. Pk. Loop Singapore 729531 website: www.hawsco.com
INFO FAX : 1-888-FAX-HAWS (1-888-329-4297) 1455 Kiappa Ln, Sparks NV, 89431	P.O. BOX 7036 D 07634C00 SIZE A 1 SH. 1 OF 4



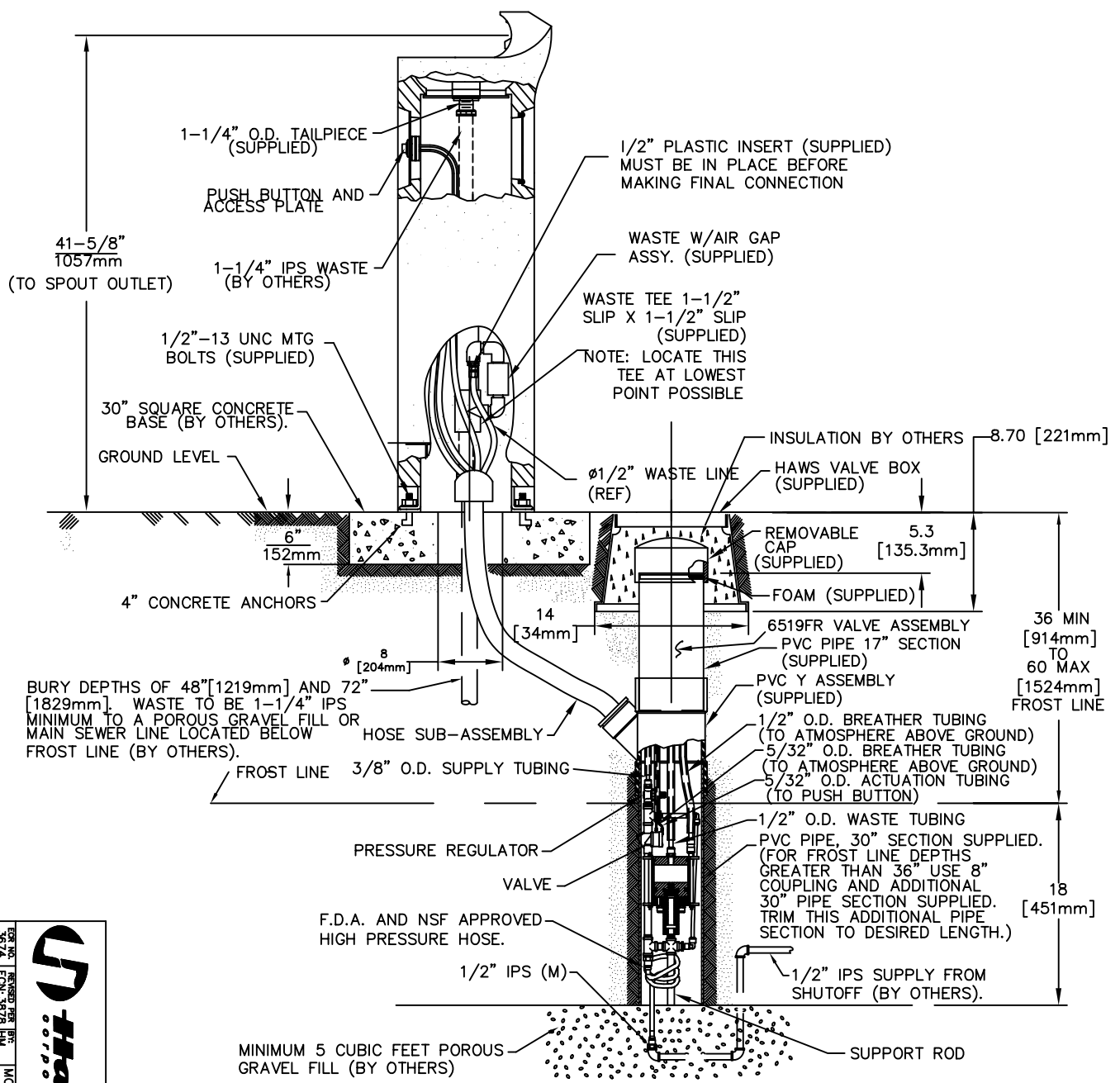
BURY DEPTHS OF 48" [1219mm] AND 72" [1829mm]. WASTE TO BE 1-1/4" IPS MINIMUM TO A POROUS GRAVEL FILL OR MAIN SEWER LINE LOCATED BELOW FROST LINE (BY OTHERS).

18" MIN. TO FROST LINE  
457mm

36 MIN [914mm] TO 60 MAX [1524mm] FROST LINE

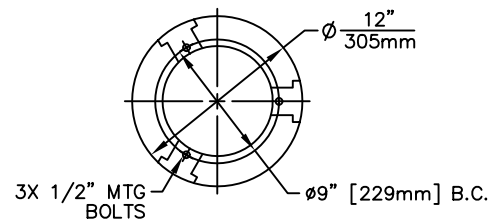
**WITH 6518.2FR VALVE ASSEMBLY**  
SEE SHEET 4 OF 4 FOR DETAILS

<b>Haws Corporation</b>	
REG. NO. 3672 ECN. 3478 DATE 02/09/06 APPROVED: [Signature]	MODEL(S): 3060FR/3060.6280FR/3060.6519FR INFO FAX DOC # 2306037/23060628/23060937
Haws Corporation Haws AG Buchweg 3 CH-3401 Burgdorf Switzerland Haws Ming Pte Ltd 74 Sungei Kidul Loop Singapore 729531 e-MAIL: Haws@hawsco.com website: www.hawsco.com	INFO FAX : 1-888-FAX-HAWS (1-888-329-4297) 1455 Kiappa Ln, Sparks NV, 89431 Phone: 775-359-4712 Fax: 775-359-7424
P.O. NO. 07036.D QTY 1 DATE 07/6/06 SIZE A 1 SHEET 2 OF 4	



BURY DEPTHS OF 48" [1219mm] AND 72" [1829mm]. WASTE TO BE 1-1/4" IPS MINIMUM TO A POROUS GRAVEL FILL OR MAIN SEWER LINE LOCATED BELOW FROST LINE (BY OTHERS).

WITH 6519FR VALVE ASSEMBLY  
SEE SHEET 4 OF 4 FOR DETAILS



**MOUNTING DETAIL**

REG. U.S. PAT. & TM. OFF. HAWNS CORPORATION

DATE: 02/06

SCALE: 1:1

MODEL(S): 3060FR/3060.6280FR/3060.6519FR

INFO FAX DOC # 2306037/23060628/23060937

PHONE: 775-359-4712

FAX: 775-359-7424

1455 Kiappa Ln, Sparks, NV 89431

Haws AG, Buchweg 3, CH-3401 Burgdorf, Switzerland

Haws Pte Ltd, 74 Sungei Kodat Loop, Singapore 729531

Website: www.hawsco.com

www.haws.com

DATE: 02/06

SCALE: 1:1

MODEL(S): 3060FR/3060.6280FR/3060.6519FR

INFO FAX DOC # 2306037/23060628/23060937

PHONE: 775-359-4712

FAX: 775-359-7424

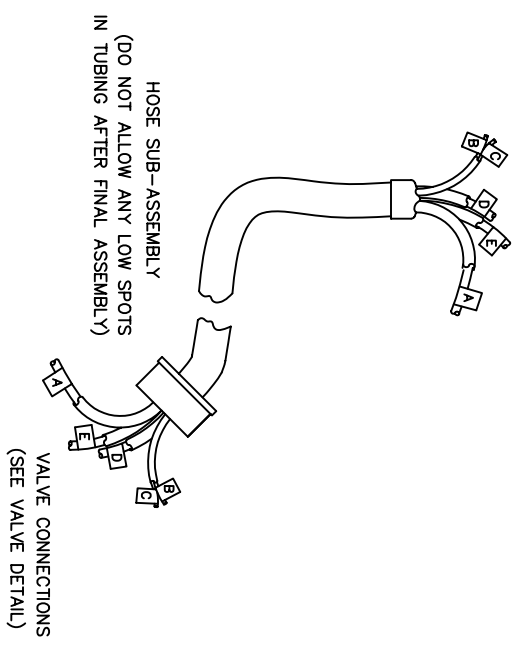
1455 Kiappa Ln, Sparks, NV 89431

Haws AG, Buchweg 3, CH-3401 Burgdorf, Switzerland

Haws Pte Ltd, 74 Sungei Kodat Loop, Singapore 729531

Website: www.hawsco.com

www.haws.com

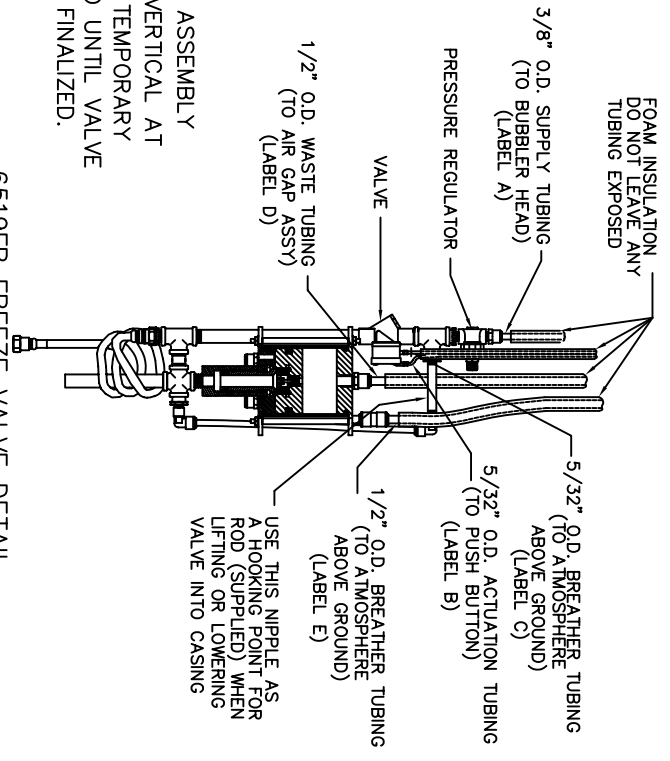


HOSE SUB-ASSEMBLY  
(DO NOT ALLOW ANY LOW SPOTS IN TUBING AFTER FINAL ASSEMBLY)

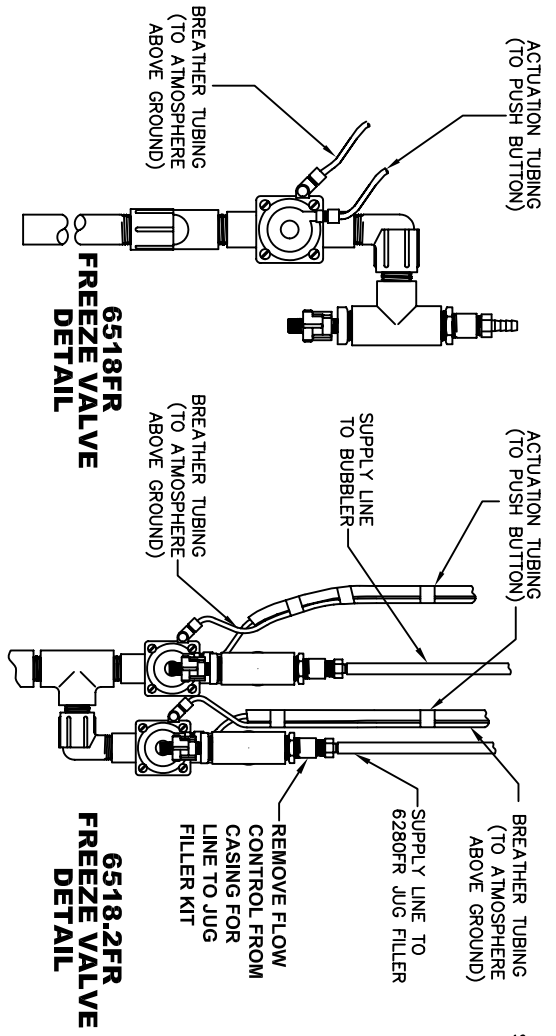
VALVE CONNECTIONS  
(SEE VALVE DETAIL)

**FOUNTAIN CONNECTIONS**  
(FOLLOW INSTRUCTIONS ON LABELS)

**CAUTION: VALVE ASSEMBLY MUST BE KEPT VERTICAL AT ALL TIMES. USE TEMPORARY STAND PROVIDED UNTIL VALVE INSTALLATION IS FINALIZED.**

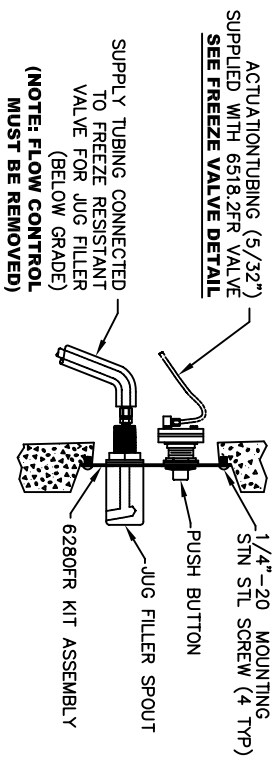


**6519FR FREEZE VALVE DETAIL**  
(3 WAY DIVIDER W/TUBING AT BASE NOT SHOWN FOR CLARITY)

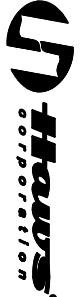


**6518FR FREEZE VALVE DETAIL**

**6518.2FR FREEZE VALVE DETAIL**



**6280FR JUG FILLER KIT DETAIL**



**Haws Corporation**

INFO FAX : 1-888-FAX-HAWS (1-888-329-4297)

1455 Kiappa Ln, Sparks NY 13843  
 Phone: 775-359-4712 Fax: 775-359-7424  
 Haws Ag Building 3 CH-3401 Burgdorf Switzerland 29531  
 Haws King Pte Ltd 74 Sunglei Kodut Loop Singapore 729531  
 e-trail: Haws@hawsco.com website: www.hawsco.com

REV. NO.	REVISION	DATE	BY	CHKD.	SCALE	MODEL(S)
36.74	ENCL. 3428	02/06	MM	MM	AS IS	3060FR / 3060.6280FR / 3060.6519FR
DATE	APPROVED					INFO FAX DOC # 2306037/23060628/23060937
						FORMING TYPE: INSTALLATION/ASSEMBLY

REV. NO.	REV. DATE	REV. BY	REV. CHKD.
001	02/06	MM	MM
002	07/03	MM	MM
003	07/03	MM	MM
004	07/03	MM	MM
005	07/03	MM	MM
006	07/03	MM	MM
007	07/03	MM	MM
008	07/03	MM	MM
009	07/03	MM	MM
010	07/03	MM	MM



# INSTALLATION, OPERATION & MAINTENANCE INSTRUCTIONS

1455 Kleppe Lane ♦ Sparks, NV 89431-6467 ♦ (775) 359-4712 ♦ Fax (775) 359-7424  
HAWS AG ♦ Bachweg 3 ♦ CH-3401 Burgdorf ♦ Switzerland  
Haws Mfg. Pte Lt. ♦ 2A Sungei Kadet Drive ♦ Singapore 729554  
Avlis-Avenida Senador, Testonio Vilela ♦ 505 Jardim Aeroporto ♦ Itu, S.P. 13304-550 ♦ Brasil  
E-mail: [haws@hawsco.com](mailto:haws@hawsco.com) ♦ website: [www.hawsco.com](http://www.hawsco.com)

No.2077036 (7)

## Model 3060FR/3060.6280/3060.6519FR Drinking Fountain

**NOTE TO INSTALLER:** Please leave this information with the Maintenance Department.

### LIMITED WARRANTY

HAWS® warrants that all of its products are guaranteed against defective material or poor workmanship for a period of **one year from date of shipment**. HAWS liability under this warranty shall be discharged by furnishing without charge F.O.B. HAWS Factory any goods, or part thereof, which shall appear to the Company upon inspection to be of defective material or not of first class workmanship, provided that claim is made in writing to company within a reasonable period after receipt of the product. Where claims for defects are made, the defective part or parts shall be delivered to the Company, prepaid, for inspection. HAWS will not be liable for the cost of repairs, alterations or replacements, or for any expense connected therewith made by the owner or his agents, except upon written authority from HAWS, Sparks, Nevada. HAWS will not be liable for any damages caused by defective materials or poor workmanship, except for replacements, as provided above. Buyer agrees that Haws has made no other warranties either expressed or implied in addition to those above stated, except that of title with respect to any of the products or equipment sold hereunder and that HAWS shall not be liable for general, special, or consequential damages claimed to arise under the contract of sale. The drinking fountain manufactured by HAWS is warranted to function if installation and maintenance instructions provided are adhered to. The units also must be used for the purpose for which they were intended.

**NO OTHER WARRANTIES EXPRESSED OR IMPLIED ARE AUTHORIZED, PROVIDED OR GIVEN BY HAWS.**

**SHOULD YOU EXPERIENCE DIFFICULTY WITH THE INSTALLATION OF THIS MODEL, PLEASE CALL:**

**1-800-766-5612**

**FOR PARTS CALL:**

**1-800-758-9378**

**(U.S.A. AND CANADA ONLY) MONDAY-THURSDAY: 6:00 A.M. – 4:00 P.M. PST  
FRIDAY: 6:00 A.M – 1:00 P.M. PST**

**RECOMMENDED TOOLS:** Hack saw, pipe joint sealant, screwdriver, level, 12" adjustable wrench, 10" pipe wrench, 5/64" hex key wrench, 9/16", 1/2", 7/16" socket wrench or open end wrench.

**LOCATION OF UNIT:** When installing Model 3060FR Drinking Fountain, local, state or federal codes should be adhered to. If height other than shown is required, then dimensions must be adjusted accordingly.

**SUPPLY LINE:** The minimum recommended line size is 1/2" IPS. Flowing pressure is 30-90 psi (2-6 ATM) for Models 3060FR and 3060.6280FR. Flowing pressure for Model 3060.6519FR is 45-90 psi (3-6 ATM). Where sediment or mineral content is a problem, an inlet filter is recommended.

**PLUMBING CONNECTIONS:** Waste outlet is 1-1/4" O.D. tailpiece.

**MAINTENANCE:** Refer to 6518FR Valve Operation and Maintenance Sheet for more information.

### TROUBLESHOOTING 3060FR

PROBLEM	REPAIR CHECKLIST
1. Insufficient bubbler flow.	1a. Check that inlet screwdriver stop valve is wide open. (Customer supplied). Turn counterclockwise. b. Verify minimum 30 psi flowing supply pressure. c. Adjust valve to increase flow. See 6518FR Valve Manual.

### TROUBLESHOOTING 3060.6280FR

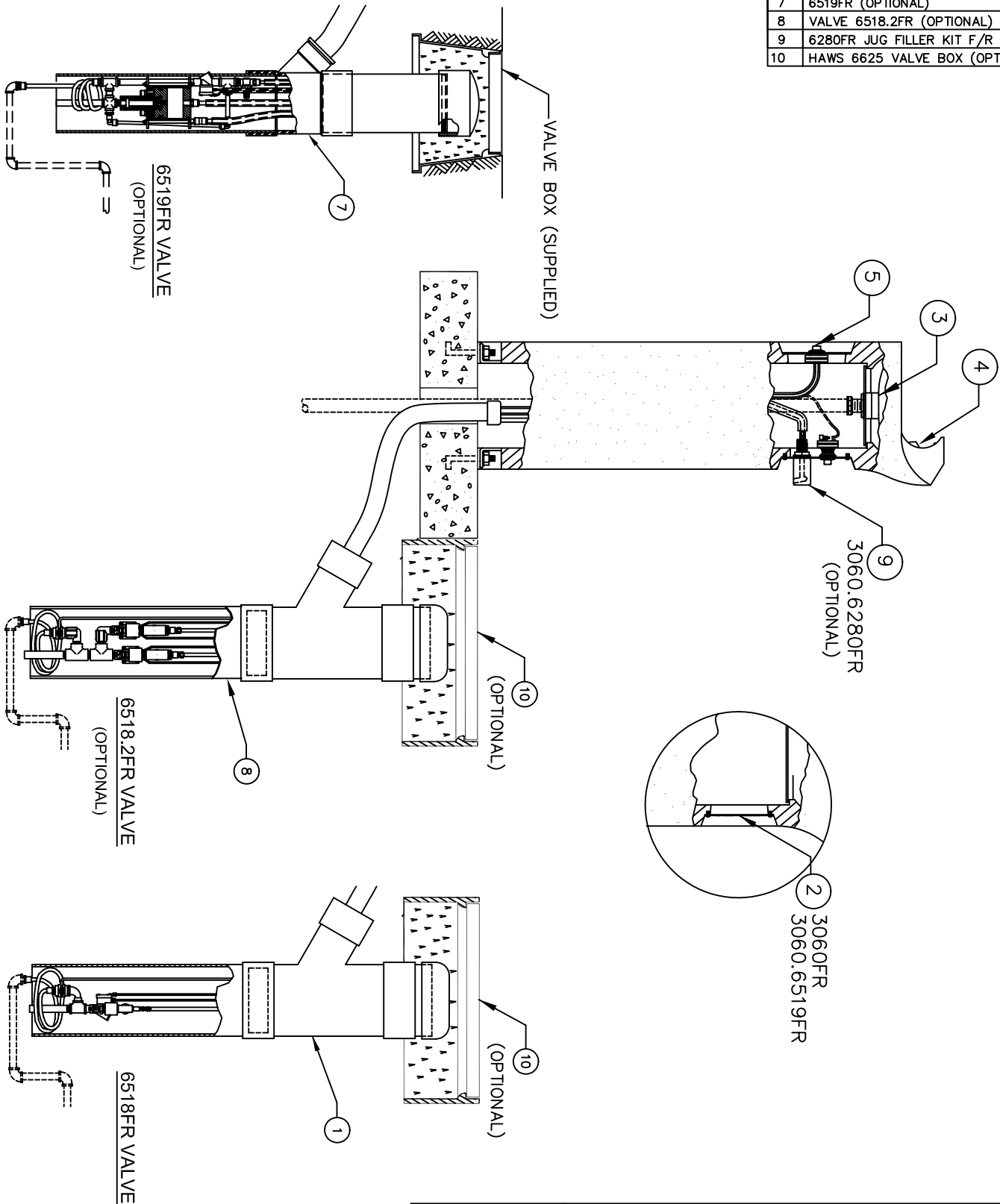
PROBLEM	REPAIR CHECKLIST
1. Insufficient bubbler flow.	1a. Check that inlet screwdriver stop valve is wide open. (Customer supplied). Turn counterclockwise. b. Verify minimum 30 psi flowing supply pressure. c. Adjust valve to increase flow. See 6518.2FR Valve Manual.

### TROUBLESHOOTING 3060.6519FR

PROBLEM	REPAIR CHECKLIST
1. Insufficient bubbler flow.	1a. Check that inlet screwdriver stop valve is wide open. (Customer supplied). Turn counterclockwise. b. Verify minimum 45 psi flowing supply pressure. c. Adjust valve to increase flow. See 6519FR Valve Manual.

# PARTS BREAKDOWN

ITEM	DESCRIPTION
1	VALVE 6518FR
2	ACCESS PANEL PAB3000
3	STRAINER ASSY 6461
4	BUBBLER HEAD 5701SL
5	PUSH BUTTON ASSY 5881PBA
6	ACCESS PLATE PA3177
7	6519FR (OPTIONAL)
8	VALVE 6518.2FR (OPTIONAL)
9	6280FR JUG FILLER KIT F/R
10	HAWS 6625 VALVE BOX (OPTIONAL)



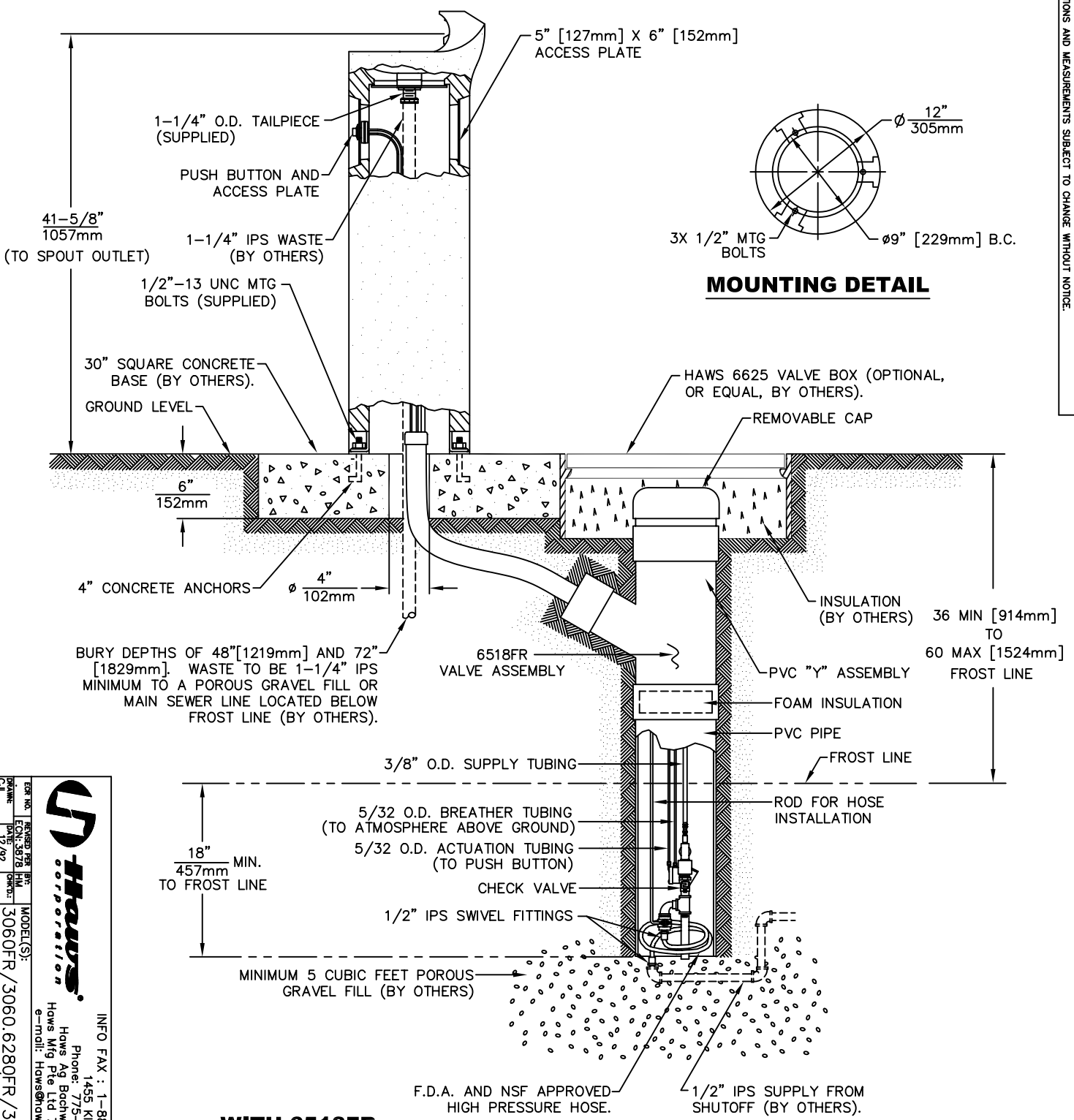
**WHEN ORDERING PARTS PLEASE SPECIFY YOUR MODEL NUMBER**



1455 KLEPPE LANE SPARKS, NEVADA  
 BACHWEG 3 CH3401 BURGDORF SWITZERLAND

DRAWN BY: D. OLLOM	DATE: 11/25/95	CHECK BY:	APP'D BY:	SCALE: 1/8
TITLE: 3060FR/3060.6280FR/3060.6519FR			PART NUMBER: 0002077035	
DRAWING TYPE: PARTS BREAKDOWN			DRAWING NUMBER: 12805C00	REV: 7

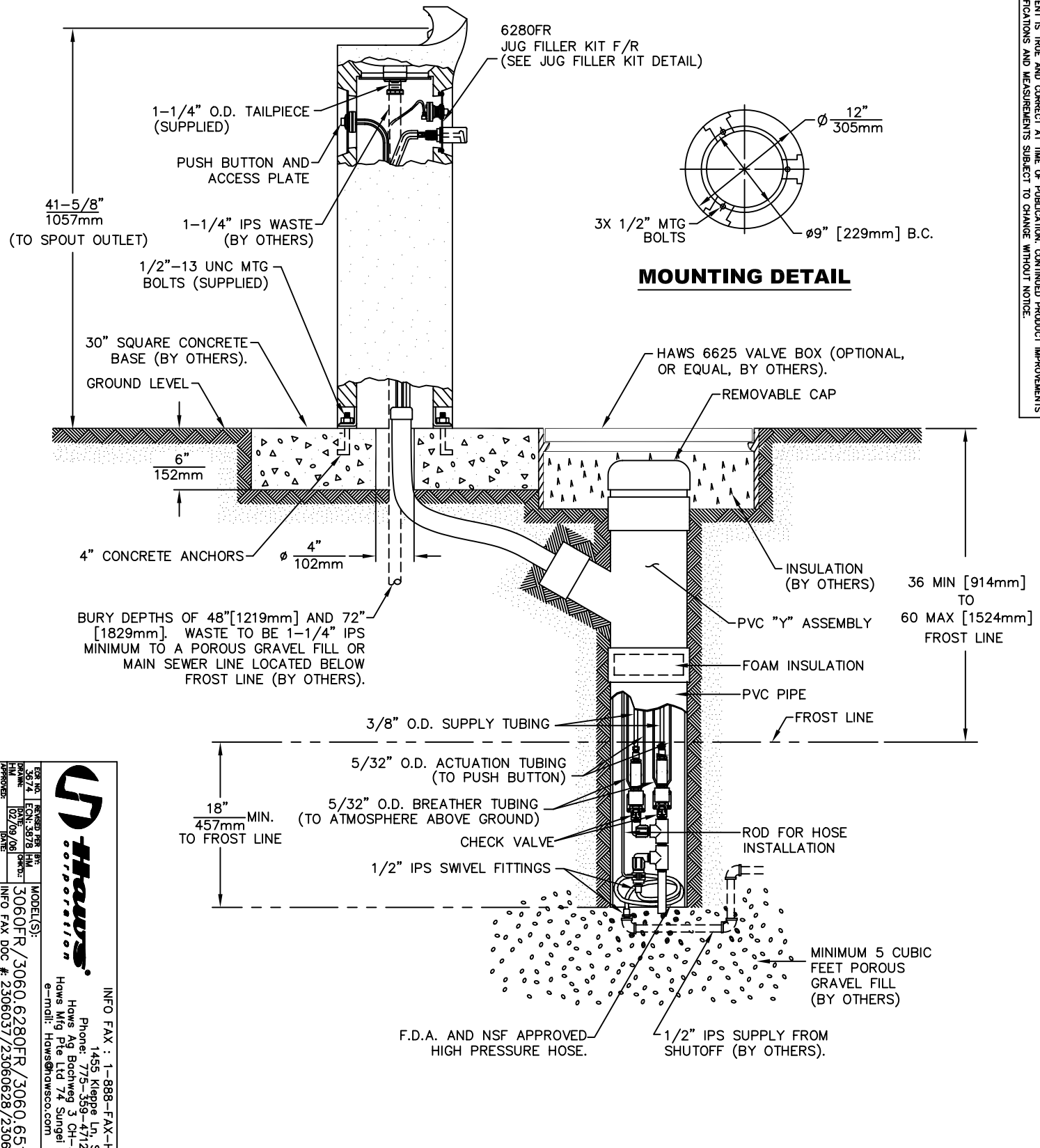




**WITH 6518FR VALVE ASSEMBLY**  
SEE SHEET 4 OF 4 FOR DETAILS

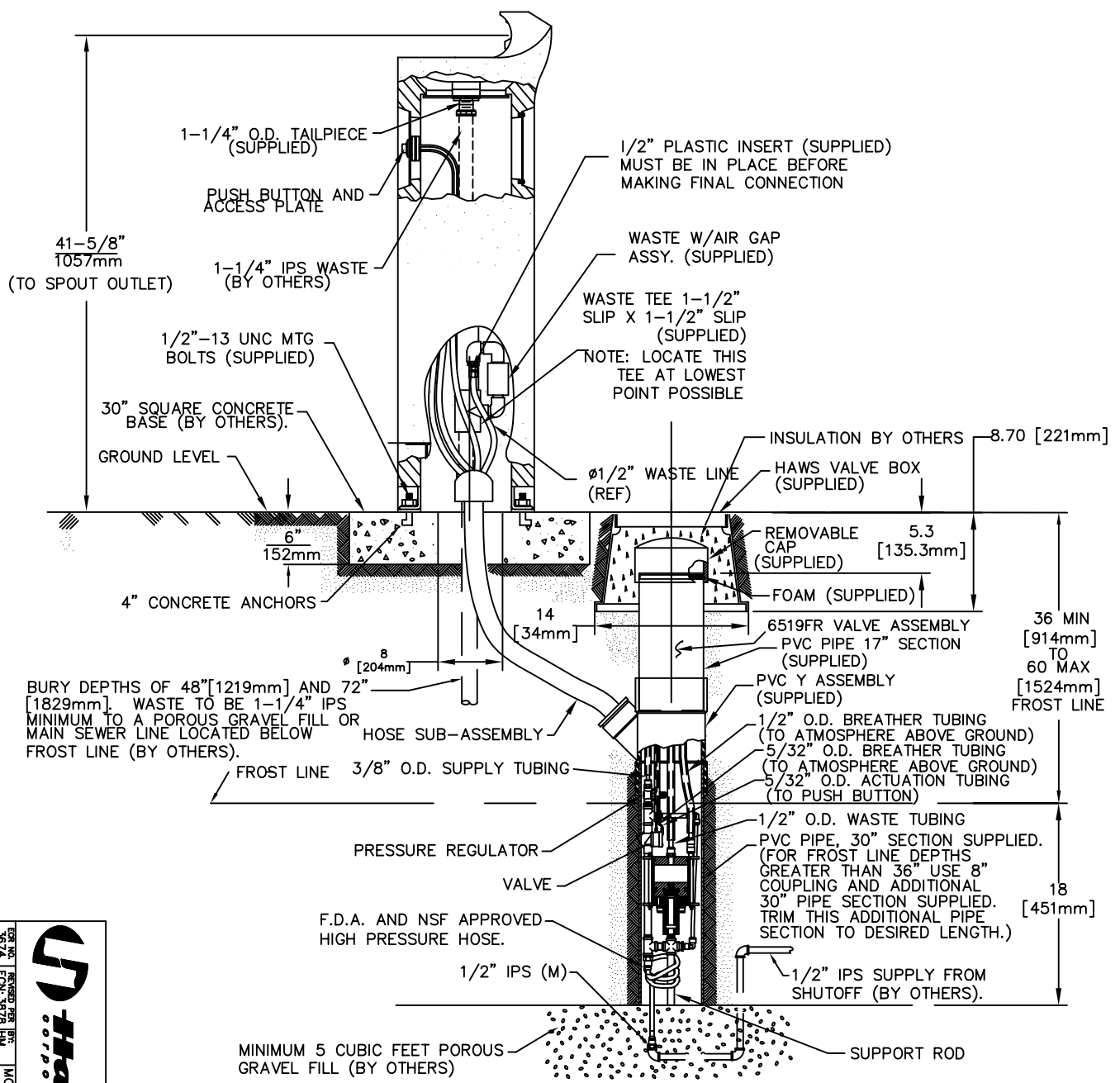
- NOTE:**
1. SEE MODEL 3060.6280FR (SHT. 2 OF 4) FOR UNIT CONFIGURED WITH 6280FR JUG FILLER KIT.
  2. SEE MODEL 3060.6519FR (SHT. 3 OF 4) FOR UNIT CONFIGURED WITH 6519FR FREEZE VALVE.

<b>Haws Corporation</b>	
REG. NO. 12/92 DATE 12/92 MODEL(S): 3060FR/3060.6280FR/3060.6519FR INFO FAX DOC # 2306037/23060628/23060937 SCALE: 1/4" = 1'-0"	Haws Corporation Haws Ag Building 3 CH-3401 Burgdorf Switzerland Haws Mfg. Pte Ltd 74 Sungai Kodut Loop Singapore 729531 e-MAIL: Haws@hawsco.com website: www.hawsco.com
PHONE: 775-359-4712 FAX: 775-359-7424 INFO FAX: 775-359-4712 FAX: 775-359-7424	INFO FAX: 1-888-FAX-HAWS (1-888-329-4297) 1455 Kiappa Ln, Sparks NV, 89431
REG. NO. 07634C00 DATE 07/6/00 SIZE A 1 SH. 1 OF 4	MODEL(S): 3060FR/3060.6280FR/3060.6519FR INFO FAX DOC # 2306037/23060628/23060937 SCALE: 1/4" = 1'-0"



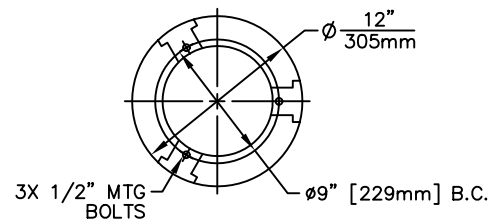
**WITH 6518.2FR  
VALVE ASSEMBLY**  
SEE SHEET 4 OF 4 FOR DETAILS

REV. NO.	REVISION	DATE	BY	CHKD.	APP'D.
36	Z	02/09/06			
<b>Haws Corporation</b>					
INFO FAX : 1-888-FAX-HAWS (1-888-329-4297) 1455 Kiappa Ln, Sparks NV, 89431 Phone: 775-359-4712 Fax: 775-359-7424 Haws Ag Buehweg 3 CH-3401 Burgdorf Switzerland Haws Ming Pte Ltd 74 Sungei Kidul Loop Singapore 729531 e-MAIL: Haws@hawsco.com website: www.hawsco.com					
MODEL(S):	3060FR/3060.6280FR/3060.6519FR				
INFO FAX DOC #:	2306037/23060628/23060937				
SCALE:	AS SHOWN				
PROJ. NO.	07634C00				
DATE	07/26/06				
SIZE	A				
SHEET	2 OF 4				



BURY DEPTHS OF 48" [1219mm] AND 72" [1829mm]. WASTE TO BE 1-1/4" IPS MINIMUM TO A POROUS GRAVEL FILL OR MAIN SEWER LINE LOCATED BELOW FROST LINE (BY OTHERS).

WITH 6519FR VALVE ASSEMBLY  
SEE SHEET 4 OF 4 FOR DETAILS



**MOUNTING DETAIL**

**Haws Corporation**

REG. U.S. PAT. & TM. OFF. © 2006 Haws Corporation

DATE: 02/06

SCALE: 1:1

MODEL(S): 3060FR/3060.6280FR/3060.6519FR

INFO FAX DOC # 2306037/23060628/23060937

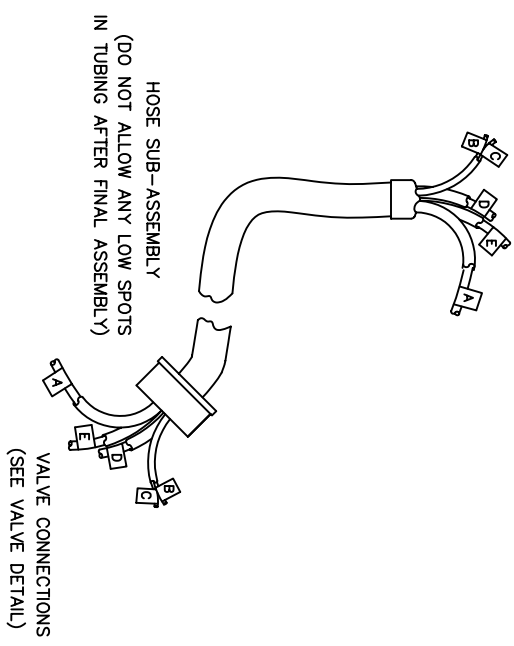
PHONE: 775-359-4712

1455 Kieppa Ln, Sparks, NV 89431

3060FR/3060.6280FR/3060.6519FR

07634C00

SIZE: A 1 SH: 3 OF 4

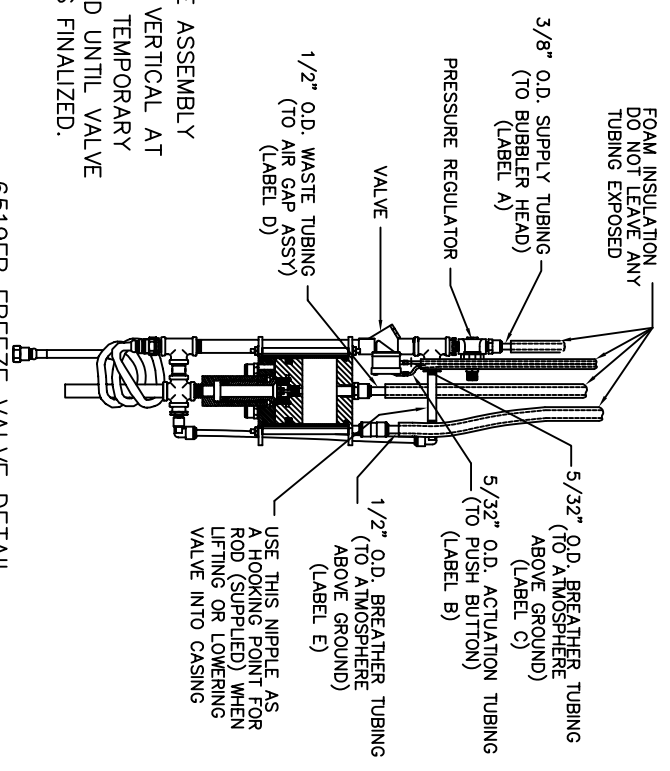


HOSE SUB-ASSEMBLY  
(DO NOT ALLOW ANY LOW SPOTS IN TUBING AFTER FINAL ASSEMBLY)

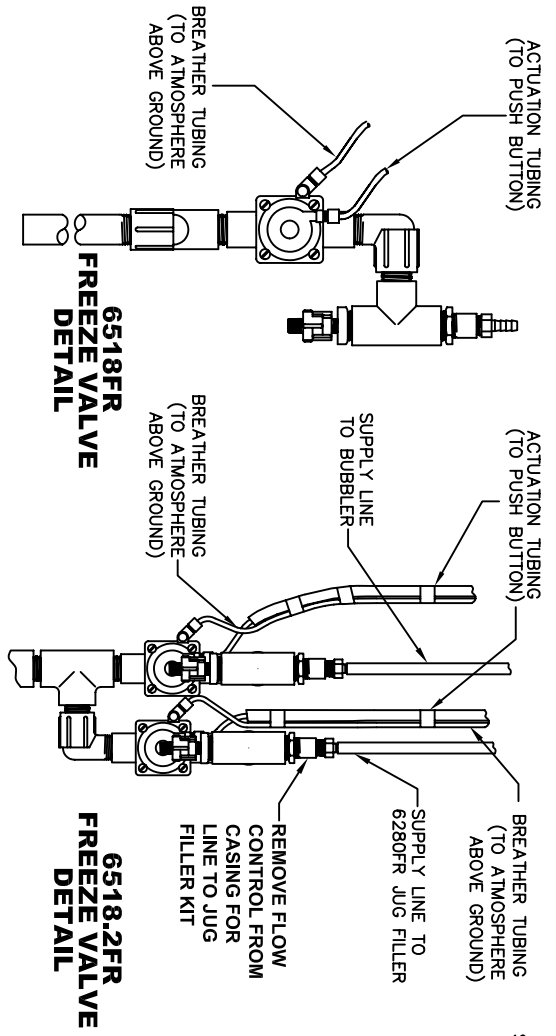
VALVE CONNECTIONS  
(SEE VALVE DETAIL)

**FOUNTAIN CONNECTIONS**  
(FOLLOW INSTRUCTIONS ON LABELS)

**CAUTION: VALVE ASSEMBLY MUST BE KEPT VERTICAL AT ALL TIMES. USE TEMPORARY STAND PROVIDED UNTIL VALVE INSTALLATION IS FINALIZED.**

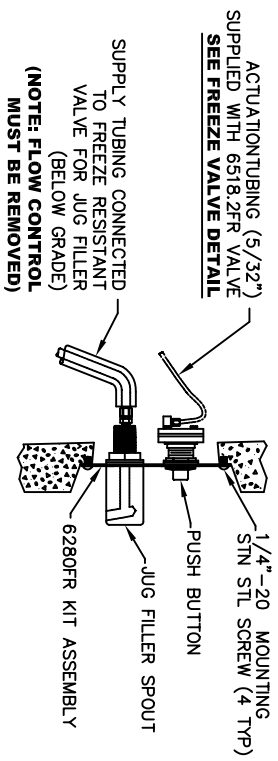


**6519FR FREEZE VALVE DETAIL**  
(3 WAY DIVIDER W/TUBING AT BASE NOT SHOWN FOR CLARITY)



**6518FR FREEZE VALVE DETAIL**

**6518.2FR FREEZE VALVE DETAIL**



**6280FR JUG FILLER KIT DETAIL**

**Haws Corporation**

INFO FAX : 1-888-FAX-HAWS (1-888-329-4297)

1455 Kiappa Ln, Sparks NV, 89431  
 Phone: 775-359-4712 Fax: 775-359-7424  
 Haws Ag Building 3 CH-3401 Burgdorf, Switzerland  
 Haws King Pte Ltd 74 Sungei Kodut Loop Singapore 729531  
 e-trail: Haws@hawsco.com website: www.hawsco.com

REV	DATE	BY	CHKD	APPV
36	02/06	74	74	74

MODEL(S): 3060FR / 3060.6280FR / 3060.6519FR  
 INFO FAX DOC #: 2306037 / 23060628 / 23060937

SCALE: 1:25 DRAWING TYPE: INSTALLATION/ASSEMBLY

SIZE: A 1 1/2" x 4" x 4"