

3300FR

Pedestal Mounted Drinking Fountain



FEATURES & BENEFITS

Bubbler Head

Polished chrome-plated brass bubbler head features an integral basin shank for added strength, and is equipped with a shielded, anti-squirt orifice that provides a steady sanitary source of water.

Barrier-Free

Barrier-free capabilities combined with its ease of use allows for a number of installation location possibilities.

Drain Clean-Out

Top-down access to the drain allows the fountain to be cleaned without taking the unit apart, which is ideal for outdoor settings that are high in drain-clogging sediment like leaves, garbage, and other debris.

Construction

Heavy-duty 11 gauge galvanized steel with a green powder-coat finish incorporates a recessed push-button and welded bubbler guard to provide extra durability, and a vandal-resistant bottom plate for added peace of mind. Stainless steel basin with a high-polished finish compliments almost any setting, and it also resists stains and corrosion.

All-Weather Capabilities

Fully engineered system with the pneumatic operated freeze-resistant valve installed below frost line to drain water to non-freezing depth allowing fountain to function year-round. Assembly can be lifted to surface and lowered back into casing for easy maintenance without disturbing the fountain.

Push Button

Polished chrome-plated push-button requires less than 5 lbs. to activate.



SPECIFICATIONS

Model 3300FR "Hi-Lo" barrier-free freeze-resistant pedestal drinking fountain shall include an 11 gauge galvanized substrate steel pedestal with green powder-coating, polished stainless steel basins, polished chrome-plated brass vandal-resistant bubbler heads, polished chrome-plated brass buttons, polished chrome-plated brass waste strainers with top-down clean-out access, vandal-resistant access plates, integral mounting feet, and 1-1/2" slip waste.

OPTIONS

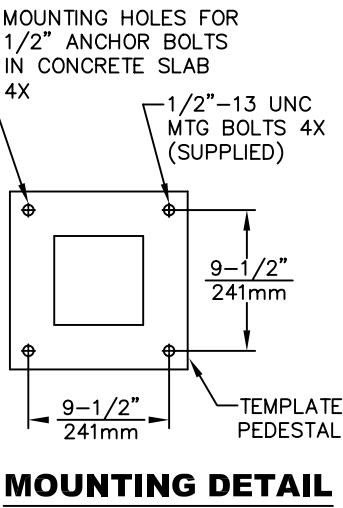
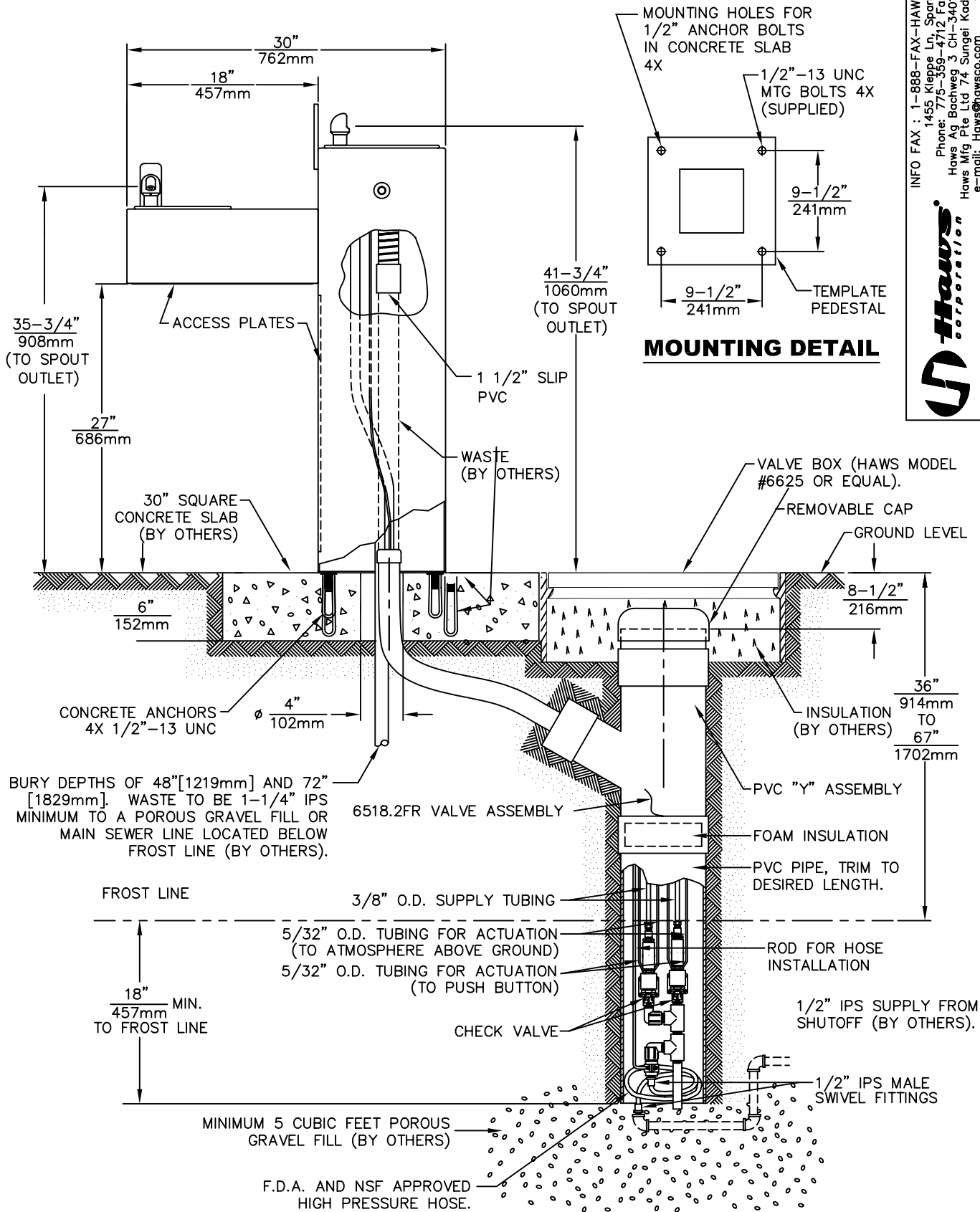
- Valve Box: Model 6625, ground box with lid, used with freeze-resistant valve models 6518FR and 6518.2FR.
- Premier Colors: Nine powder-coated colors, (green, silver, red, blue, black, brown, orange, yellow and white), available for an additional charge.

APPLICATIONS

Perfect for either public or private outdoor settings, the 3300FR is a great fit in areas where aesthetics are important to the overall appeal of the architecture. Suitable in areas where weather conditions exist, this series stands strong as a nice addition to any community. Powder-coated finish help to maintain the fountains overall appeal so it remains looking as new as it did when it was installed. This type of pedestal drinking fountain may also be placed in a variety of settings such as: parks, schools, and other outdoor environments around office buildings where the temperature may drop into freezing conditions.

Model meets all current Federal Regulations for the disabled including those in the Americans with Disabilities Act. Haws manufactures drinking fountains, electric water coolers and electric drinking fountains to be lead-free by all known definitions including ANSI/NSF Standard 61, Section 9, California Proposition 65, and the Federal Safe Drinking Water Act.





Haws Corporation
 INFO FAX : 1-888-FAX-HAWS (1-888-329-4297)
 1455 Kleppe Ln, Sparks NV, 89431
 Phone: 775-359-4712 Fax: 775-359-7424
 Haws Ag, Bachweg 3, CH-3401 Burgdorf Switzerland
 Haws Mtg Pte Ltd 74 Sungai Kadut Loop Singapore 729531
 e-mail: Haws@hawsco.com website: www.hawsco.com

MODEL(S): 3300FR
 INFO FAX DOC #: 2330037
 SCALE: 1/32
 DRAWING TYPE: INSTALLATION/FABRICATION
 SHEET: 1 OF 1

THIS DOCUMENT IS TRUE AND CORRECT AT TIME OF PUBLICATION. CONTINUED PRODUCT IMPROVEMENTS MAKE SPECIFICATIONS AND MEASUREMENTS SUBJECT TO CHANGE WITHOUT NOTICE.



INSTALLATION, OPERATION & MAINTENANCE INSTRUCTIONS

1455 Kleppe Lane ♦ Sparks, NV 89431-6467 ♦ (775) 359-4712 ♦ Fax (775) 359-7424
HAWS AG ♦ Bachweg 3 ♦ CH-3401 Burgdorf ♦ Switzerland
Haws Mfg. Pte Lt. ♦ 2A Sungei Kadet Drive ♦ Singapore 729554
Avlis-Avenida Senador, Testonio Vilela ♦ 505 Jardim Aeroporto ♦ Itu, S.P. 13304-550 ♦ Brasil
E-mail: haws@hawsco.com ♦ website: www.hawsco.com

No. 2077342(9)

Model 3300FR Drinking Fountain

NOTE TO INSTALLER: Please leave this information with the Maintenance Department.

LIMITED WARRANTY

HAWS® warrants that all of its products are guaranteed against defective material or poor workmanship for a period of **one year from date of shipment**. HAWS liability under this warranty shall be discharged by furnishing without charge F.O.B. HAWS Factory any goods, or part thereof, which shall appear to the Company upon inspection to be of defective material or not of first class workmanship, provided that claim is made in writing to company within a reasonable period after receipt of the product. Where claims for defects are made, the defective part or parts shall be delivered to the Company, prepaid, for inspection. HAWS will not be liable for the cost of repairs, alterations or replacements, or for any expense connected therewith made by the owner or his agents, except upon written authority from HAWS, Sparks, Nevada. HAWS will not be liable for any damages caused by defective materials or poor workmanship, except for replacements, as provided above. Buyer agrees that Haws has made no other warranties either expressed or implied in addition to those above stated, except that of title with respect to any of the products or equipment sold hereunder and that HAWS shall not be liable for general, special, or consequential damages claimed to arise under the contract of sale. The drinking fountain manufactured by HAWS is warranted to function if installation and maintenance instructions provided are adhered to. The units also must be used for the purpose for which they were intended.

NO OTHER WARRANTIES EXPRESSED OR IMPLIED ARE AUTHORIZED, PROVIDED OR GIVEN BY HAWS.

SHOULD YOU EXPERIENCE DIFFICULTY WITH THE INSTALLATION OF THIS MODEL, PLEASE CALL:

1-800-766-5612

FOR PARTS CALL:

1-800-758-9378

**(U.S.A. AND CANADA ONLY) MONDAY-THURSDAY: 6:00 A.M. – 4:00 P.M. PST
FRIDAY: 6:00 A.M – 1:00 P.M. PST**

RECOMMENDED TOOLS: Hack saw, pipe joint sealant, screwdriver, level, 12" adjustable wrench, 10" pipe wrench, 5/64" hex key wrench, 9/16", 1/2", 7/16" socket wrench or open end wrench.

LOCATION OF UNIT: The Model 3300FR/3300GFR Drinking Fountain is a wheelchair accessible drinking water facility. The height dimensions shown, meet current ADA requirements. When installing this unit, local, state or federal codes should be adhered to. If height other than shown is required, then dimensions must be adjusted accordingly.

SUPPLY LINE: The minimum recommended line size is 1/2"IPS with 30-90 psi (2-6 ATM) flowing pressure. Where sediment or mineral content is a problem, an inlet filter is recommended.

PLUMBING CONNECTIONS: Waste outlet is female 1-1/2" Slip PVC.

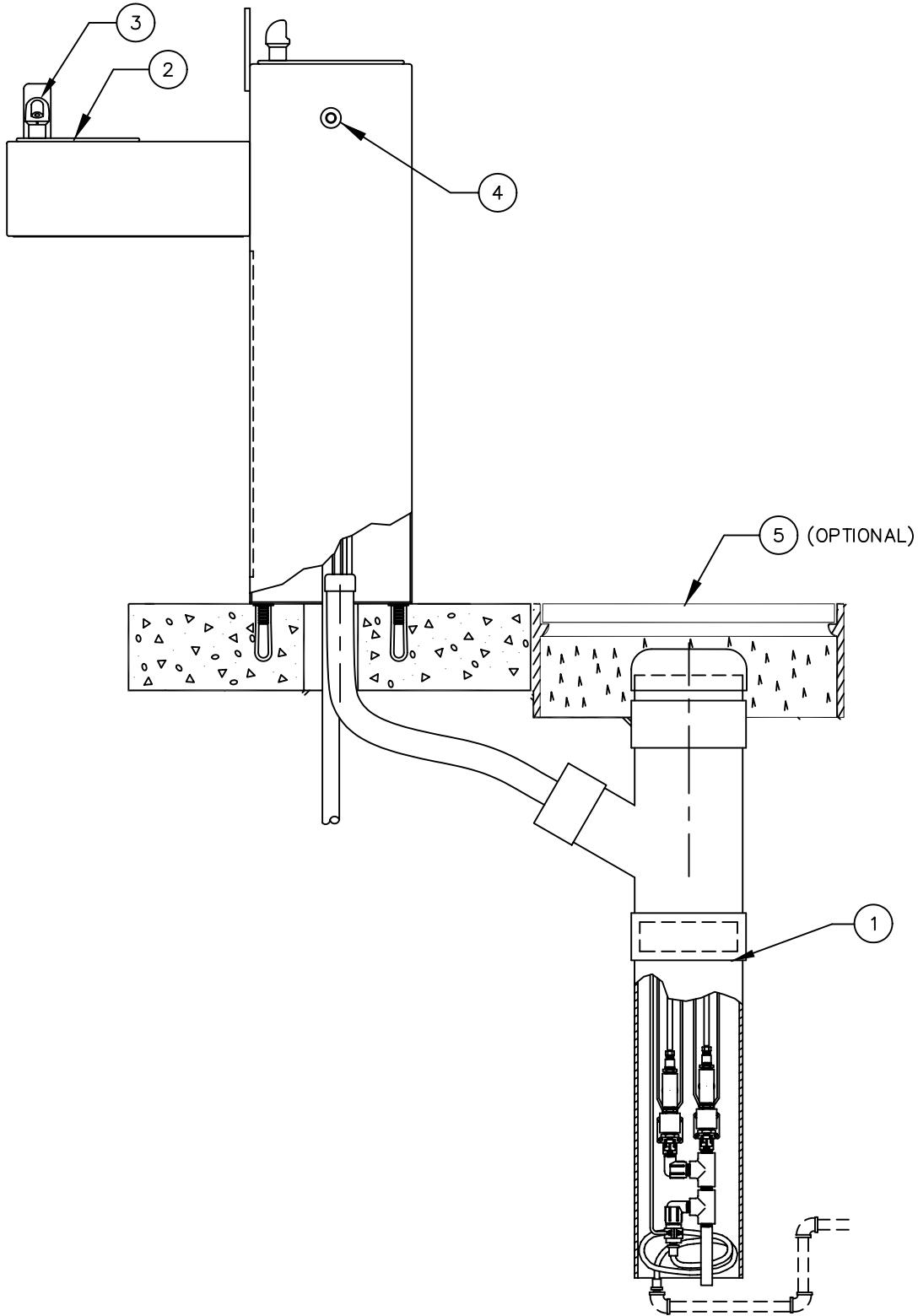
MAINTENANCE: Periodically clean the strainer. Refer to 6518.2FR Valve Operation and Maintenance Sheet for information.

TROUBLESHOOTING

PROBLEM	REPAIR CHECKLIST
1. Insufficient bubbler flow.	1a. Check that inlet screwdriver stop valve is wide open. Turn counterclockwise. b. Verify minimum 30psi flowing supply pressure. c. Clean inlet strainer. d. Adjust valve to increase flow. See 6518.2FR Valve Manual.

ITEM	DESCRIPTION
1	VALVE 6518.2FR
2	STRAINER ASSY 6466
3	BUBBLER HEAD 5703M
4	PUSH BTN ASS'Y 5881PBA
5	VALVE BOX 6625 (OPTIONAL)

PARTS BREAKDOWN



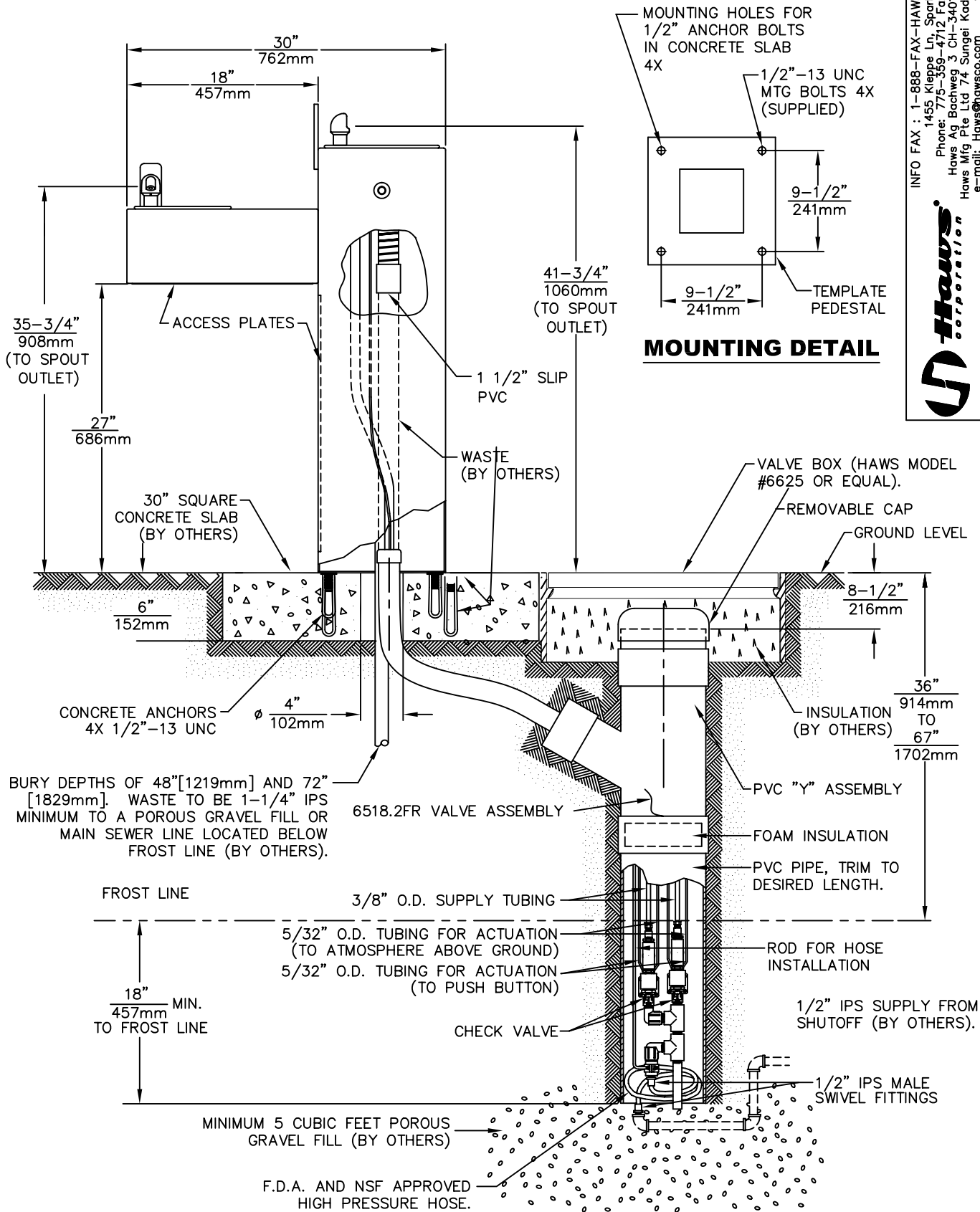
**WHEN ORDERING
PARTS PLEASE
SPECIFY YOUR
MODEL NUMBER**



1455 KLEPPE LANE
SPARKS, NEVADA

BACHWEG 3
CH3401 BURGDORF
SWITZERLAND

DRAWN BY: D. OLLOM	DATE: 11/25/95	CHECK BY:	APP'D BY:	SCALE: 1/6
TITLE: 3300FR			PART NUMBER: 0002077342	
DRAWING TYPE: PARTS BREAKDOWN			DRAWING NUMBER: 12814C00	REV. 9



BURY DEPTHS OF 48" [1219mm] AND 72" [1829mm]. WASTE TO BE 1-1/4" IPS MINIMUM TO A POROUS GRAVEL FILL OR MAIN SEWER LINE LOCATED BELOW FROST LINE (BY OTHERS).

FROST LINE
18" MIN.
457mm
TO FROST LINE

MINIMUM 5 CUBIC FEET POROUS GRAVEL FILL (BY OTHERS)
F.D.A. AND NSF APPROVED HIGH PRESSURE HOSE.

MOUNTING DETAIL

INFO FAX : 1-888-FAX-HAWS (1-888-329-4297)
1455 Kleppe Ln, Sparks NV, 89431
Phone: 775-359-4712 Fax: 775-359-7424
Haws Ag, Bachweg 3, CH-3401 Burgdorf Switzerland
Haws Mtg Pte Ltd 74 Sungai Kadut Loop Singapore 729531
e-mail: haws@hawsco.com website: www.hawsco.com

Haws Corporation

MODEL(S): 3300FR
DRAWN: ECN_387B
DATE: 09/29/92
APPROVED: [Signature]

SCALE: 1/32
DRAWING TYPE: INSTALLATION/FABRICATION
SHEET: 1 OF 1

THIS DOCUMENT IS TRUE AND CORRECT AT TIME OF PUBLICATION. CONTINUED PRODUCT IMPROVEMENTS MAKE SPECIFICATIONS AND MEASUREMENTS SUBJECT TO CHANGE WITHOUT NOTICE.