

3377FR

Pedestal Mounted Drinking Fountain



FEATURES & BENEFITS

All-Weather Capabilities

Fully engineered system with the pneumatic operated freeze-resistant valve installed below frost line to drain water to non-freezing depth allowing fountain to function year-round. Assembly can be lifted to surface and lowered back into casing for easy maintenance without disturbing the fountain.

Construction

Heavy-duty 3/16" galvanized steel pedestal is supported by an integral mounting plate, supplied with a top down access plate, and is finished with green powder-coat paint. 18 gauge Type 304 Stainless Steel fountain with attractive and functional swirl bowl design, along with a vandal-resistant bottom plate provides a long lasting unit with added peace of mind.

Quality Control

Fountain is pre-built and fully water and pressure tested to ensure no leaks and proper function for reduced installation time and added peace of mind.

Bubbler head

Polished chrome-plated brass bubbler head with an integral basin shank and inserted roll pin adds vandal resistance strength to the design, and the shielded angled stream orifice produces a steady sanitary source of water.

Push Button

Polished chrome-plated push-button requires less than 5 lbs. to activate.



OPTIONS

- Valve Box: Model 6625, ground box with lid, used with freeze-resistant valve models 6518FR and 6518.2FR.
- Premier Colors: Nine powder-coated colors, (green, silver, red, blue, black, brown, orange, yellow and white), available for an additional charge.

SPECIFICATIONS

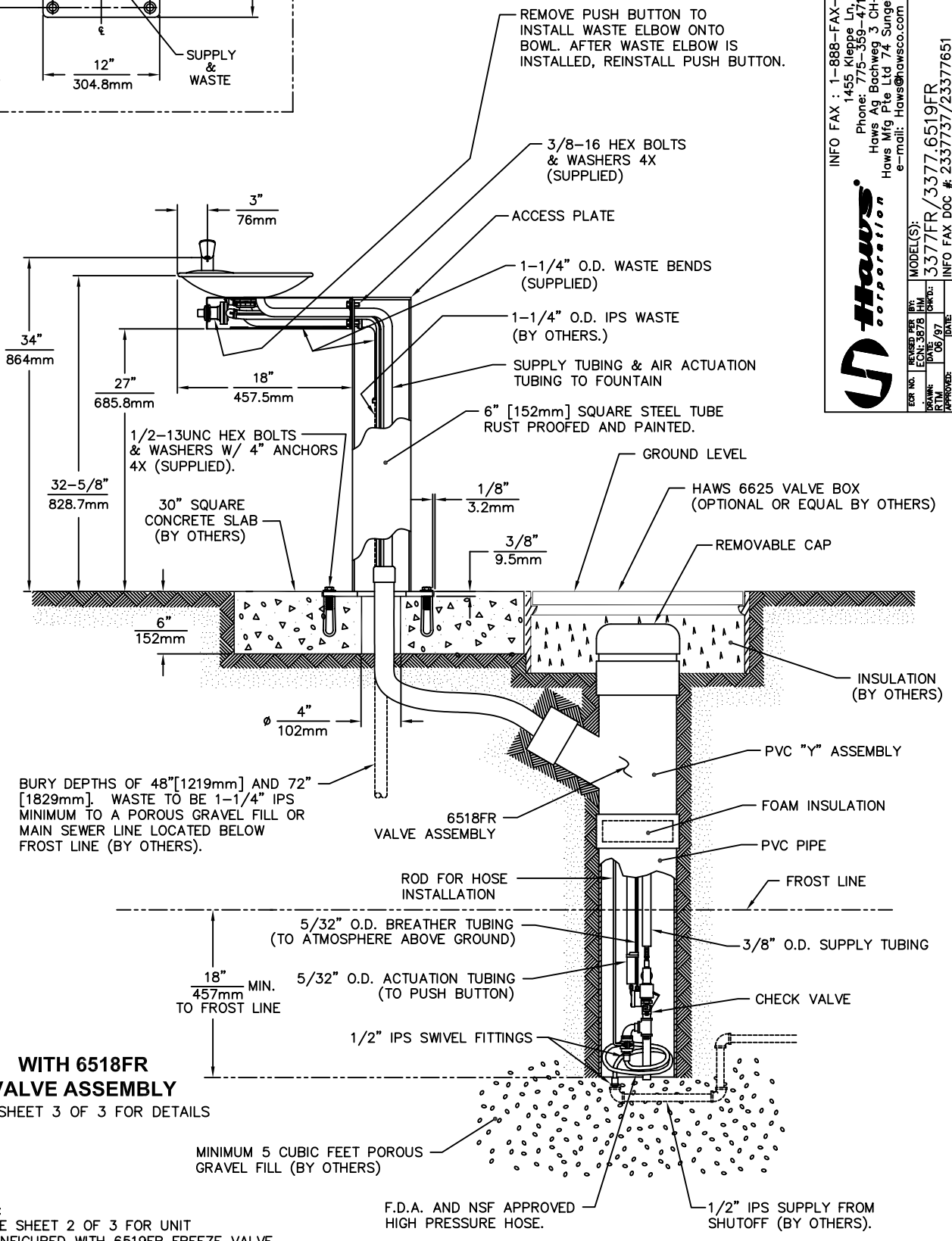
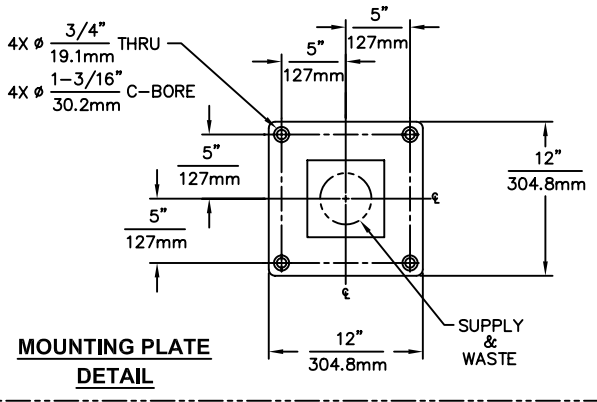
Model 3377FR barrier-free freeze-resistant pedestal drinking fountain shall include a 14 gauge Type 304 Stainless Steel satin finish bracket and 18 gauge Type 304 Stainless Steel satin finish basin with integral swirl design, polished chrome-plated brass vandal-resistant bubbler head, polished chrome-plated brass push-button, chrome-plated brass vandal-resistant waste strainer, vandal-resistant bottom plate, 3/16" galvanized steel top-access pedestal with green powder-coated finish, integral mounting plate, and 1-1/4" IPS waste.

APPLICATIONS

Perfect for either public or private outdoor settings, the 3377FR is a great fit in areas where aesthetics are important to the overall appeal of the architecture. Suitable in areas where weather conditions exist, this series stands strong as a nice addition to any community. Powder-coated finish help to maintain the fountains overall appeal so it remains looking as new as it did when it was installed. This type of pedestal drinking fountain may also be placed in a variety of settings such as: parks, schools, and other outdoor environments around office buildings where the temperature may drop into freezing conditions.

Model meets all current Federal Regulations for the disabled including those in the Americans with Disabilities Act. Haws manufactures drinking fountains, electric water coolers and electric drinking fountains to be lead-free by all known definitions including ANSI/NSF Standard 61, Section 9, California Proposition 65, and the Federal Safe Drinking Water Act.





NOTE:
1. SEE SHEET 2 OF 3 FOR UNIT CONFIGURED WITH 6519FR FREEZE VALVE.

INFO FAX : 1-888-FAX-HAWS (1-888-329-4297)
1455 Kleppe Ln, Sparks NV, 89431
Phone: 775-359-4712 Fax: 775-359-7424
Haws Ag, Bachweg 3, CH-3401 Burgdorf Switzerland
Haws Mfg Pte Ltd 74 Sungai Kadut Loop Singapore 729531
e-mail: Haws@hawsco.com website: www.hawsco.com

Haws Corporation

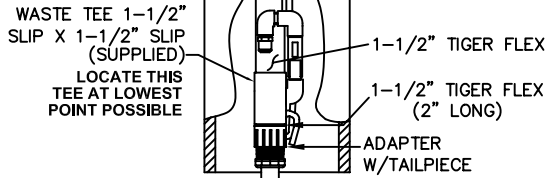
MODEL(S): 3377FR/33776519FR
DRAWN: ECN: 3878
DATE: 06/07
APPROVED: [Signature]

SCALE: ETS
INFO FAX DOC # 2337737/23377651
TRAINING TYPE: INSTALLATION/FABRICATION

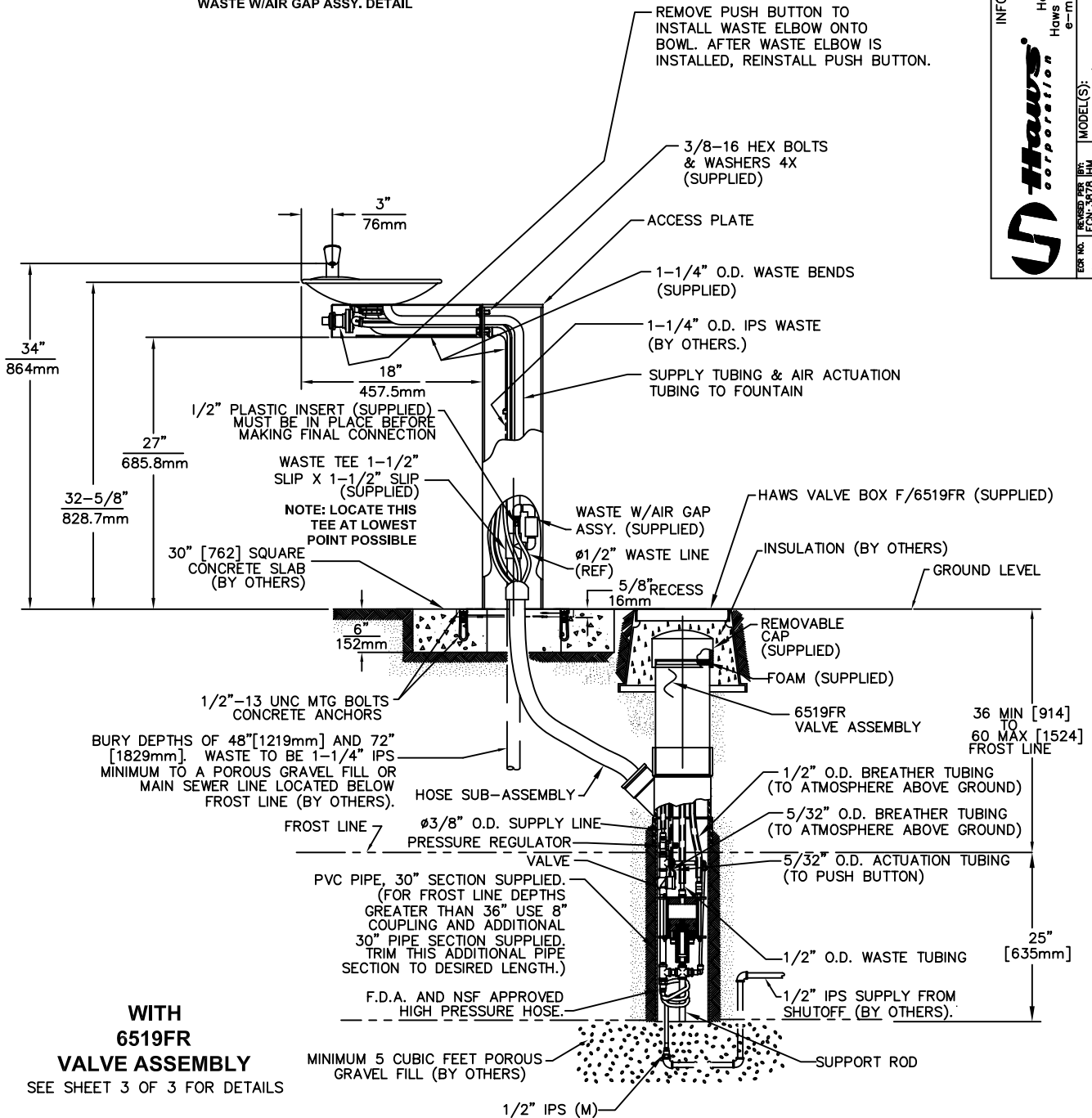
0000707365.D
DRAWING NUMBER: 13083A00
REV: 5
SIZE: A SHL 1 OF 3

THIS DOCUMENT IS TRUE AND CORRECT AT TIME OF PUBLICATION. CONTINUED PRODUCT IMPROVEMENTS MAKE SPECIFICATIONS AND MEASUREMENTS SUBJECT TO CHANGE WITHOUT NOTICE.

©2006 Haws Corporation - All Rights Reserved HAWS® and other trademarks used in these materials are the exclusive property of Haws Corporation.



WASTE W/ AIR GAP ASSY. DETAIL



WITH 6519FR VALVE ASSEMBLY
SEE SHEET 3 OF 3 FOR DETAILS

Haws Corporation

INFO FAX : 1-888-FAX-HAWS (1-888-329-4297)
1455 Kleppe Ln, Sparks NV, 89431
Phone: 775-359-4712 Fax: 775-359-7424
Haws Ag Bachweg 3 CH-3401 Burgdorf Switzerland
Haws Mfg Pte Ltd 74 Sungei Kadut Loop Singapore 729531
e-mail: Haws@hawsco.com

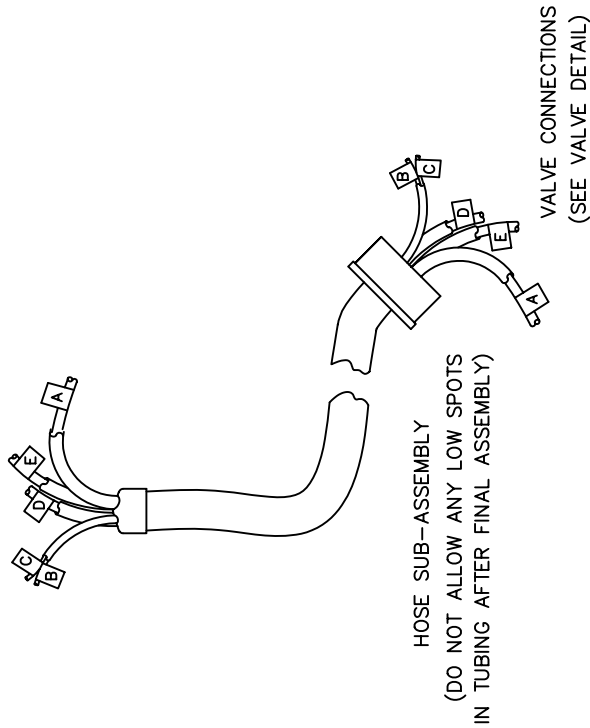
REV. NO. 0002077365.D
REV. DATE 10/22/06
DRAWN BY 3578 HAW
CHECKED BY 3578 HAW
APPROVED BY 3578 HAW

MODEL(S): 337FR/3377/3377651
INFO FAX DOC # 2337737/23377651
SCALE: THIS DRAWING TYPE: INSTALLATION/REPAIR
SIZE: A 1 SH. 2 OF 3

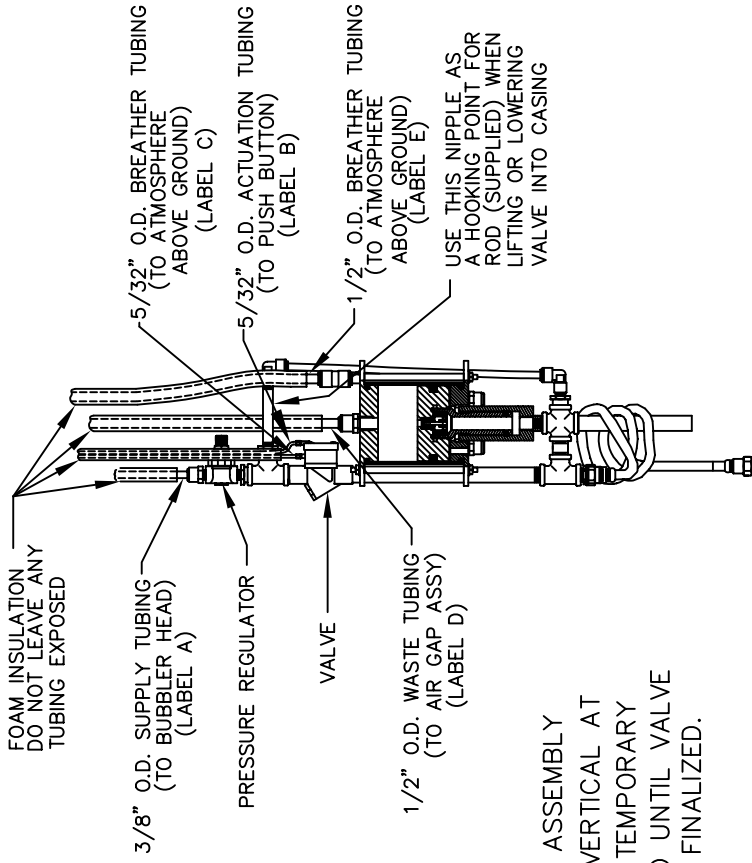
THIS DOCUMENT IS TRUE AND CORRECT AT TIME OF PUBLICATION. CONTINUED PRODUCT IMPROVEMENTS MAKE SPECIFICATIONS AND MEASUREMENTS SUBJECT TO CHANGE WITHOUT NOTICE.

©2006 Haws Corporation - All Rights Reserved HAWS® and other trademarks used in these materials are the exclusive property of Haws Corporation.

THIS DOCUMENT IS TRUE AND CORRECT AT TIME OF PUBLICATION. CONTINUED PRODUCT IMPROVEMENTS MAKE SPECIFICATIONS AND MEASUREMENTS SUBJECT TO CHANGE WITHOUT NOTICE.

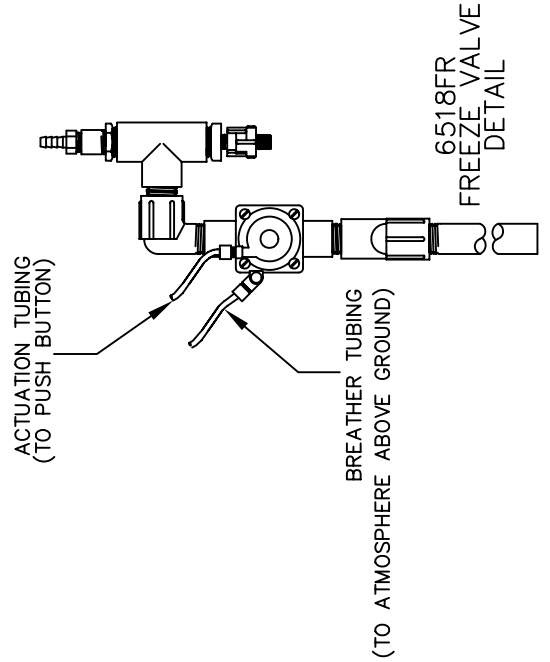


FOUNTAIN CONNECTIONS
(FOLLOW INSTRUCTIONS ON LABELS)



CAUTION: VALVE ASSEMBLY MUST BE KEPT VERTICAL AT ALL TIMES. USE TEMPORARY STAND PROVIDED UNTIL VALVE INSTALLATION IS FINALIZED.

6519FR FREEZE VALVE DETAIL
(3 WAY DIVIDER W/TUBING AT BASE NOT SHOWN FOR CLARITY)



Haws Corporation

INFO FAX : 1-888-FAX-HAWS (1-888-329-4297)
1455 Kleppe Ln, Sparks NV, 89431
Phone: 775-359-4712 Fax: 775-359-7424
Haws Ag, Bachweg 3, CH-3401 Burgdorf Switzerland
Haws Mfg Pte Ltd 74 Sungai Kadut Loop Singapore 729531
e-mail: Haws@hawsco.com website: www.hawsco.com

FOR NO.:	REVISION:	DATE:	BY:
ECN: 3878	HM:	07/27/06	BM:
APPROVED:	DATE:	INFO. FAX. DOC. #:	SCALE:
		2337737/23377651	E7
MODEL(S):	000207	000207	7365.D
	13083A00	13083A00	15
		SIZE: A	SHEET 3 OF 3



INSTALLATION, OPERATION & MAINTENANCE INSTRUCTIONS

1455 Kleppe Lane ♦ Sparks, NV 89431-6467 ♦ (775) 359-4712 ♦ Fax (775) 359-7424
HAWS AG ♦ Bachweg 3 ♦ CH-3401 Burgdorf ♦ Switzerland
Haws Mfg. Pte Lt. ♦ 2A Sungei Kadet Drive ♦ Singapore 729554
Avlis-Avenida Senador, Testonio Vilela ♦ 505 Jardim Aeroporto ♦ Itu, S.P. 13304-550 ♦ Brasil
E-mail: haws@hawsco.com ♦ website: www.hawsco.com

No. 2077365(5)

Model 3377FR/3377.6519FR Drinking Fountain

NOTE TO INSTALLER: Please leave this information with the Maintenance Department.

LIMITED WARRANTY

HAWS® warrants that all of its products are guaranteed against defective material or poor workmanship for a period of **one year from date of shipment**. HAWS liability under this warranty shall be discharged by furnishing without charge F.O.B. HAWS Factory any goods, or part thereof, which shall appear to the Company upon inspection to be of defective material or not of first class workmanship, provided that claim is made in writing to company within a reasonable period after receipt of the product. Where claims for defects are made, the defective part or parts shall be delivered to the Company, prepaid, for inspection. HAWS will not be liable for the cost of repairs, alterations or replacements, or for any expense connected therewith made by the owner or his agents, except upon written authority from HAWS, Sparks, Nevada. HAWS will not be liable for any damages caused by defective materials or poor workmanship, except for replacements, as provided above. Buyer agrees that Haws has made no other warranties either expressed or implied in addition to those above stated, except that of title with respect to any of the products or equipment sold hereunder and that HAWS shall not be liable for general, special, or consequential damages claimed to arise under the contract of sale. The drinking fountain manufactured by HAWS is warranted to function if installation and maintenance instructions provided are adhered to. The units also must be used for the purpose for which they were intended.

NO OTHER WARRANTIES EXPRESSED OR IMPLIED ARE AUTHORIZED, PROVIDED OR GIVEN BY HAWS.

SHOULD YOU EXPERIENCE DIFFICULTY WITH THE INSTALLATION OF THIS MODEL, PLEASE CALL:

1-800-766-5612

FOR PARTS CALL:

1-800-758-9378

**(U.S.A. AND CANADA ONLY) MONDAY-THURSDAY: 6:00 A.M. – 4:00 P.M. PST
FRIDAY: 6:00 A.M – 1:00 P.M. PST**

RECOMMENDED TOOLS: Hack saw, pipe joint sealant, screwdriver, level, 12" adjustable wrench, 10" pipe wrench, 3/32" and 5/32" hex key wrench, 9/16", 1/2", 7/16" socket wrench or open end wrench.

LOCATION OF UNIT: The Model 3377FR/3377.6519FR Drinking Fountain is a wheelchair accessible drinking water facility. The height dimensions shown, meet current ADA requirements. When installing this unit, local, state or federal codes should be adhered to. If height other than shown is required, then dimensions must be adjusted accordingly.

SUPPLY LINE: The minimum recommended line size is 1/2"IPS. Flowing pressure is 30-90 psi (2-6 ATM) for Models 3377FR. Flowing pressure for Model 3377.6519FR is 45-90 psi (3-6 ATM). Where sediment or mineral content is a problem, an inlet filter is recommended.

PLUMBING CONNECTIONS: Supply inlet is 1/2" IPS male. Waste outlet is 1-1/4" Slip Joint.

MAINTENANCE: Periodically clean the strainer. Refer to 6518FR/6519FR Operation and Maintenance Sheet for additional information.

TROUBLESHOOTING 3377FR

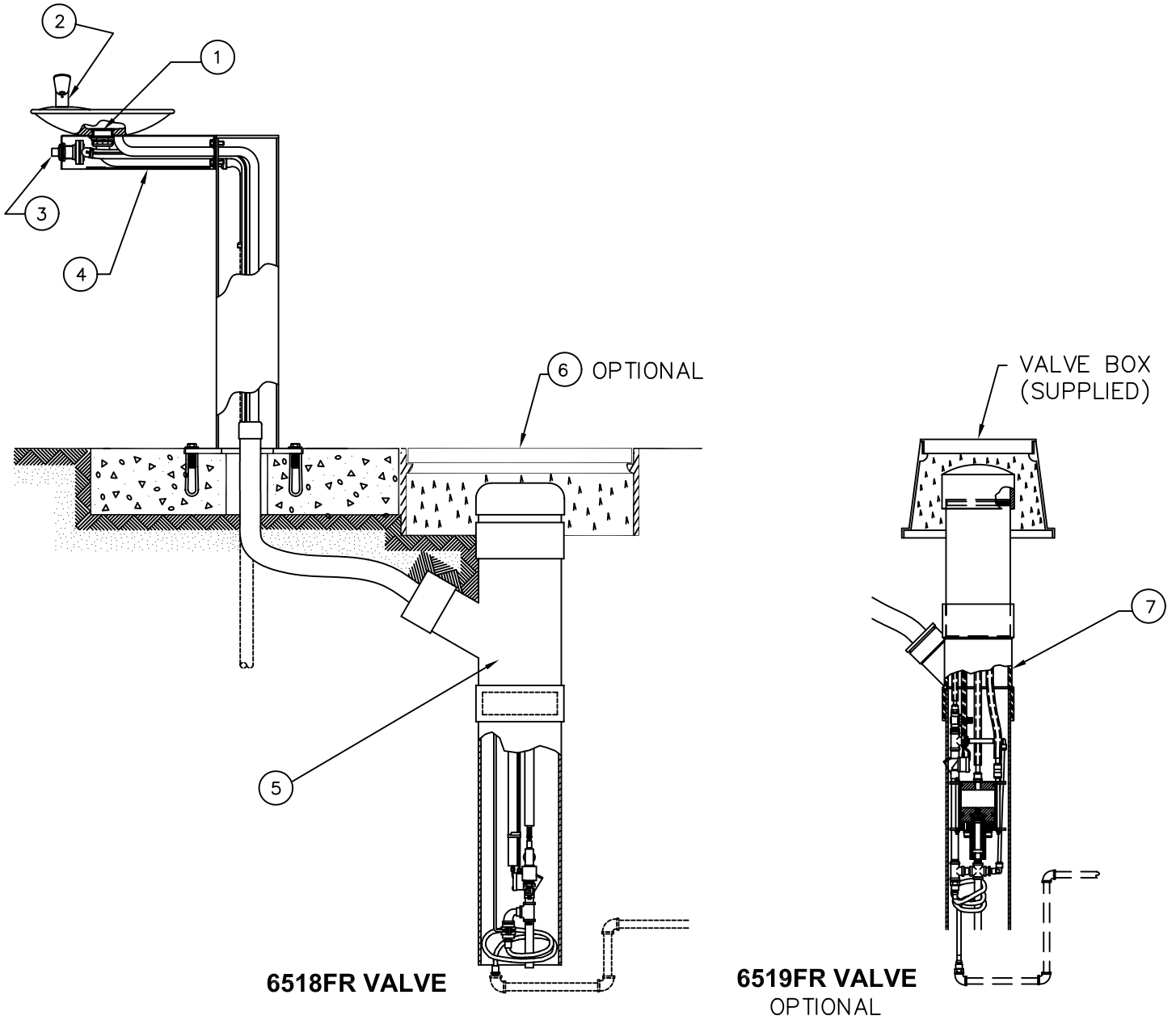
PROBLEM	REPAIR CHECKLIST
Insufficient bubbler flow.	<ol style="list-style-type: none"> 1a. Check that inlet screwdriver stop valve is wide open (customer supplied). Turn counterclockwise. b. Verify minimum 30 psi flowing supply pressure. c. Adjust valve to increase flow. See 6518FR Valve Manual.

TROUBLESHOOTING 3377.6519FR

PROBLEM	REPAIR CHECKLIST
Insufficient bubbler flow.	<ol style="list-style-type: none"> 1a. Check that inlet screwdriver stop valve is wide open (customer supplied). Turn counterclockwise. b. Verify minimum 45 psi flowing supply pressure. c. Adjust valve to increase flow. See 6519FR Valve Manual.

ITEM	DESCRIPTION
1	STRAINER ASSY 6463
2	BUBBLER HEAD 5705FR
3	PUSH BUTTON ASSY 5881PBA
4	BOTTOM PLATE PBM1000
5	VALVE ASSY. 6518FR
6	6625 VALVE BOX (OPTIONAL)
7	VALVE ASSY. 6519FR (OPTIONAL)

PARTS BREAKDOWN



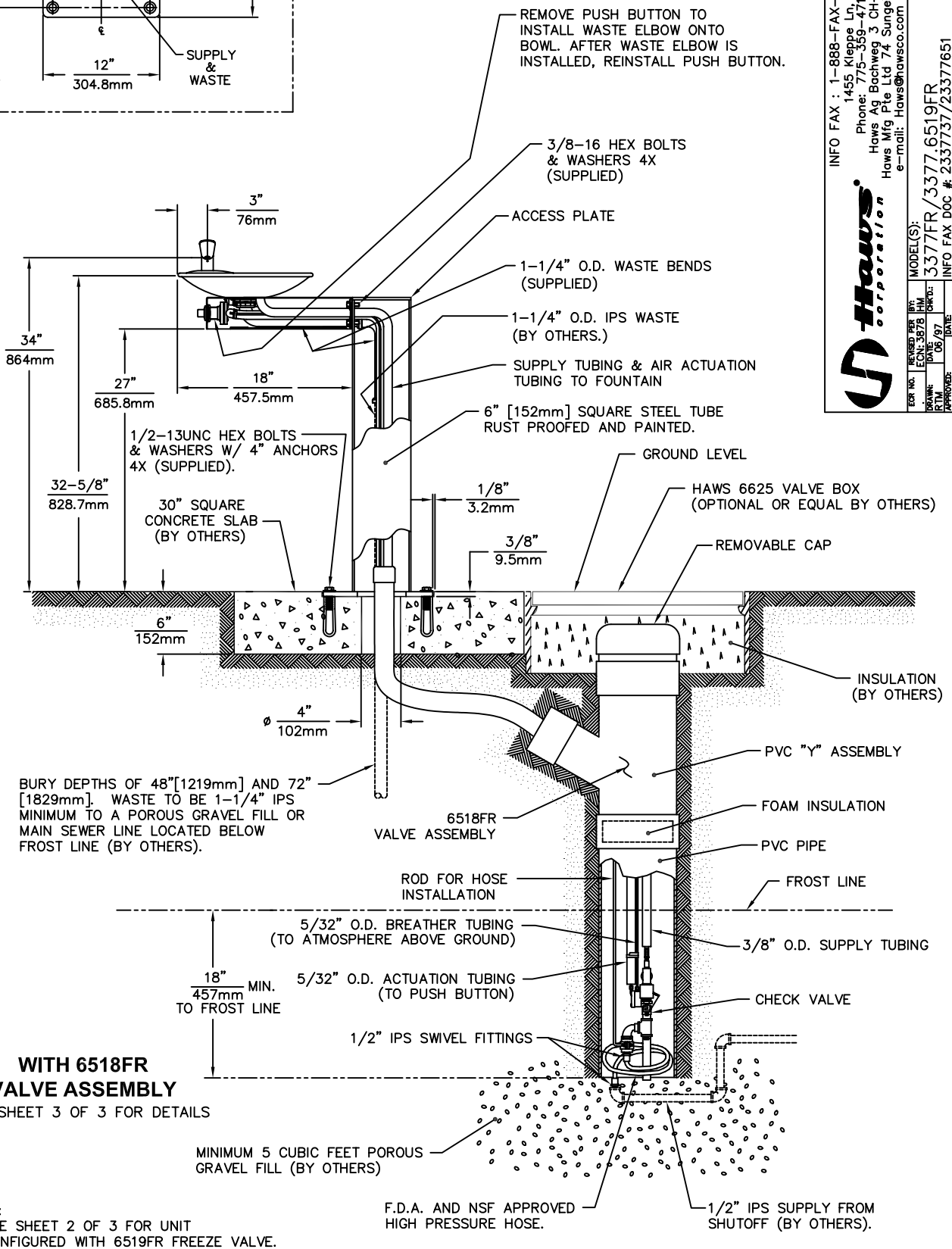
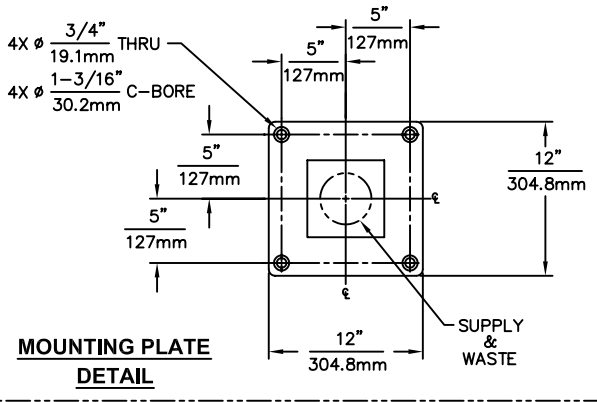
**WHEN ORDERING
PARTS PLEASE
SPECIFY YOUR
MODEL NUMBER**



Haws
corporation

1455 KLEPPE LANE BACHWEG 3
SPARKS, NEVADA CH3401 BURGDORF
SWITZERLAND

DRAWN BY: RTM	DATE: 10/20/98	CHECK BY:	APP'D BY:	SCALE: 1/7
TITLE: 3377FR/3377.6519FR			PART NUMBER: 0002077365	
DRAWING TYPE: PARTS BREAKDOWN			DRAWING NUMBER: 13361C00	REV. 5



NOTE:
1. SEE SHEET 2 OF 3 FOR UNIT CONFIGURED WITH 6519FR FREEZE VALVE.

INFO FAX : 1-888-FAX-HAWS (1-888-329-4297)
1455 Kleppe Ln, Sparks NV, 89431
Phone: 775-359-4712 Fax: 775-359-7424
Haws Ag, Bachweg 3, CH-3401 Burgdorf Switzerland
Haws Mfg Pte Ltd 74 Sungai Kadut Loop Singapore 729531
e-mail: Haws@hawsco.com website: www.hawsco.com

Haws Corporation

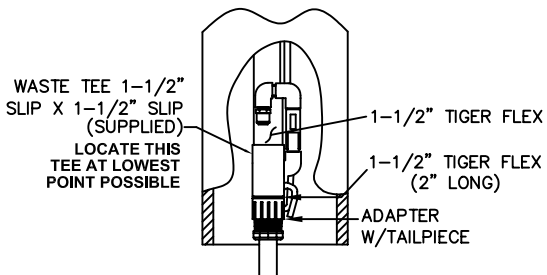
MODEL(S): 3377FR/3377 6519FR
DRAWN: ECN: 3878
DATE: 06/07
APPROVED: [Signature]

SCALE: ETS
INFO FAX DOC # 2337737/23377651
TRAINING TYPE: INSTALLATION/FABRACK

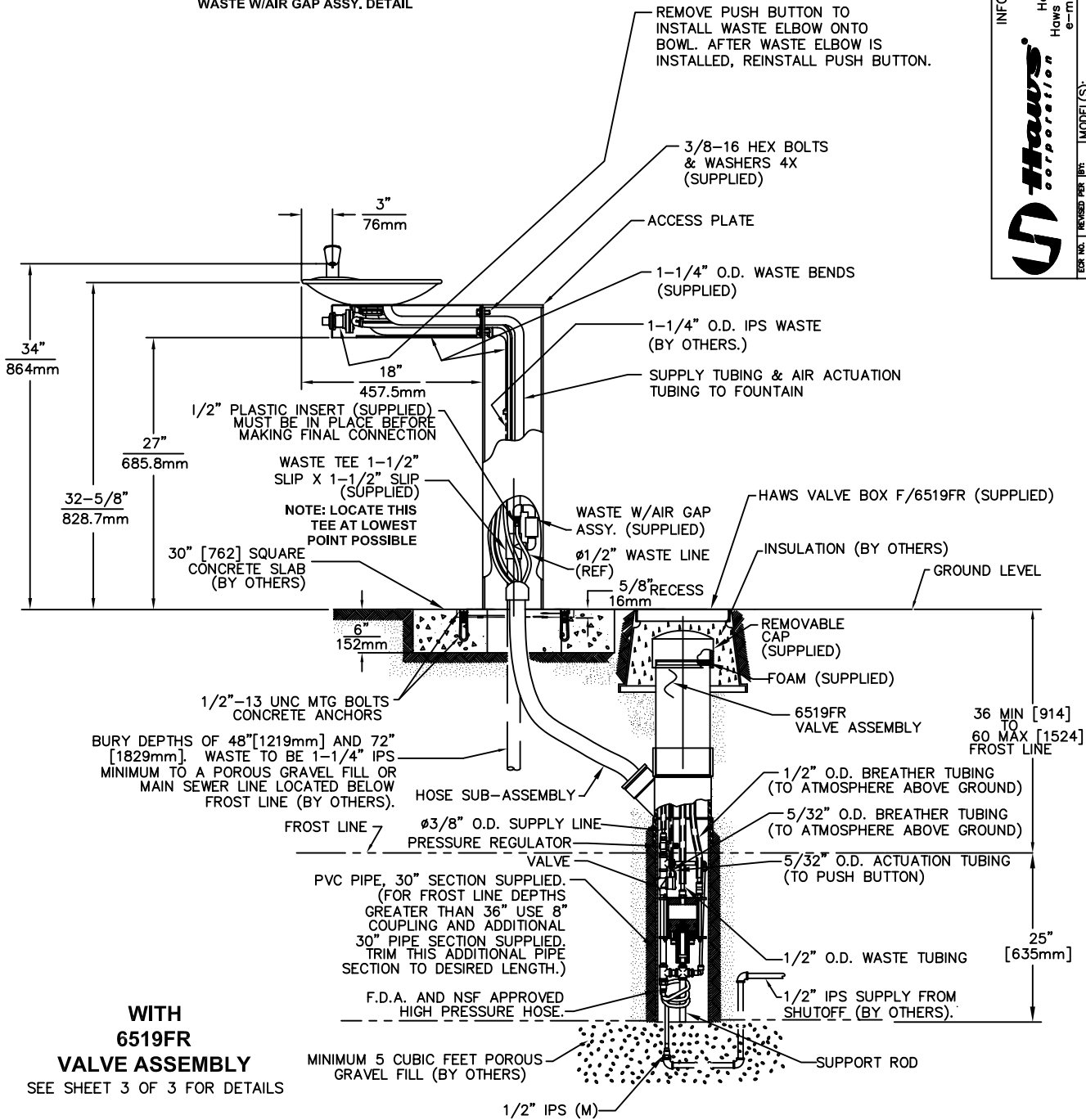
0000707365.D
DRAWING NUMBER: 13083A00
REV: 5
SIZE: A SH: 1 OF 3

THIS DOCUMENT IS TRUE AND CORRECT AT TIME OF PUBLICATION. CONTINUED PRODUCT IMPROVEMENTS MAKE SPECIFICATIONS AND MEASUREMENTS SUBJECT TO CHANGE WITHOUT NOTICE.

©2006 Haws Corporation - All Rights Reserved HAWS® and other trademarks used in these materials are the exclusive property of Haws Corporation.



WASTE W/AIR GAP ASSY. DETAIL



**WITH
6519FR
VALVE ASSEMBLY**
SEE SHEET 3 OF 3 FOR DETAILS

Haws Corporation
 INFO FAX : 1-888-FAX-HAWS (1-888-329-4297)
 1455 Kleppe Ln, Sparks NV, 89431
 Phone: 775-359-4712 Fax: 775-359-7424
 Haws Ag Bachweg 3 CH-3401 Burgdorf Switzerland
 Haws Mfg Pte Ltd 74 Sungei Kadut Loop Singapore 729531
 e-mail: Haws@hawsco.com website: www.hawsco.com

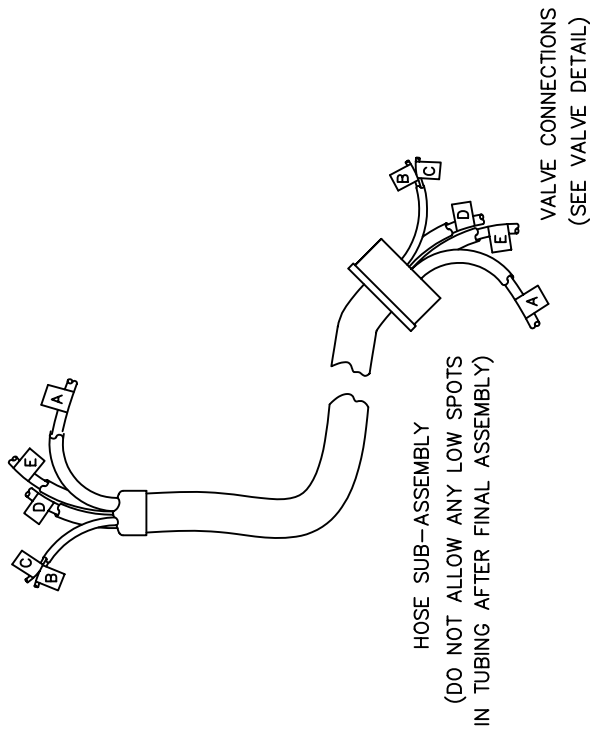
REVISED PER: []
 DATE: 01/22/06
 DRAWN: []
 APPROVED: []

MODEL(S): 337FR/3377/23377651
 INFO FAX DOC #: 13083A00
 SCALE: 1:1B DRAWING TYPE: INSTALLATION/BACK

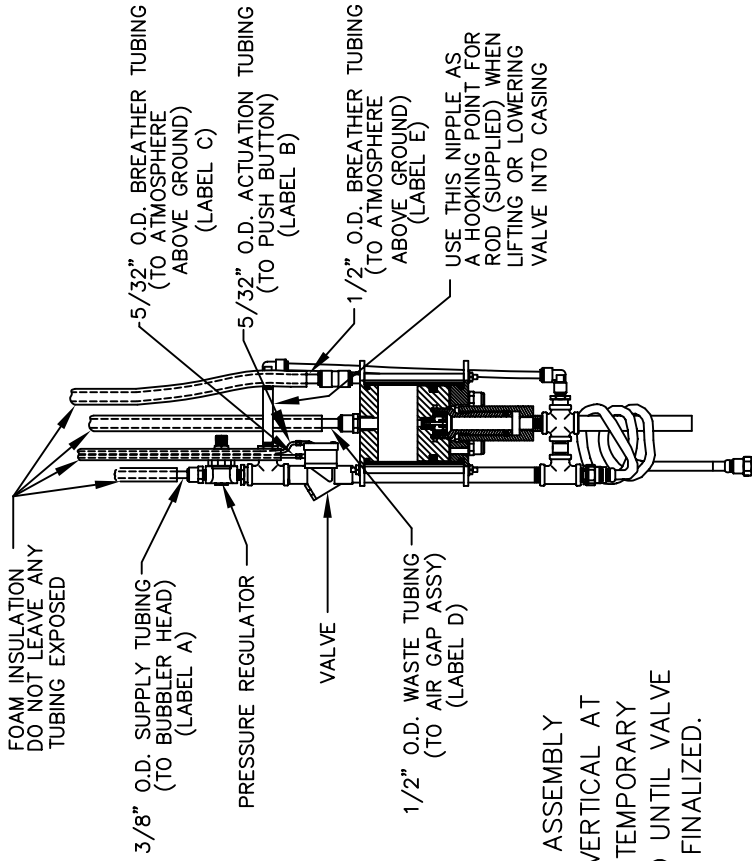
PART NUMBER: 0002077365.D
 DRAWING NUMBER: 13083A00
 REV: 3
 SIZE: A SHEET: 2 OF 3

THIS DOCUMENT IS TRUE AND CORRECT AT TIME OF PUBLICATION. CONTINUED PRODUCT IMPROVEMENTS MAKE SPECIFICATIONS AND MEASUREMENTS SUBJECT TO CHANGE WITHOUT NOTICE.

©2006 Haws Corporation - All Rights Reserved HAWS® and other trademarks used in these materials are the exclusive property of Haws Corporation.

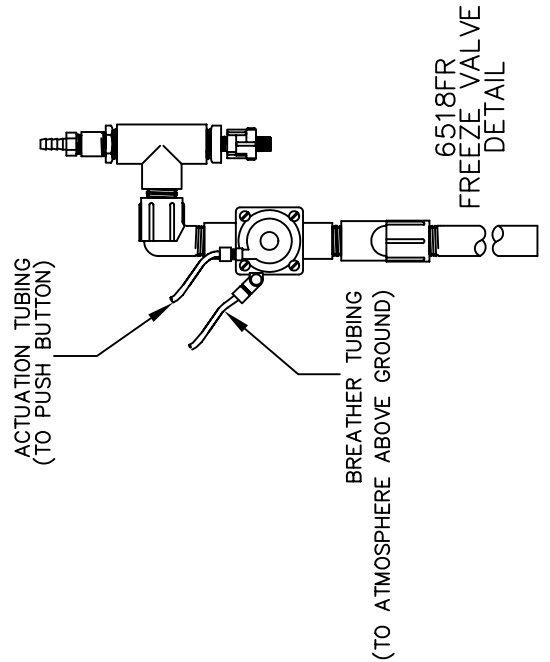


FOUNTAIN CONNECTIONS
(FOLLOW INSTRUCTIONS ON LABELS)



CAUTION: VALVE ASSEMBLY MUST BE KEPT VERTICAL AT ALL TIMES. USE TEMPORARY STAND PROVIDED UNTIL VALVE INSTALLATION IS FINALIZED.

6519FR FREEZE VALVE DETAIL
(3 WAY DIVIDER W/TUBING AT BASE NOT SHOWN FOR CLARITY)



INFO FAX : 1-888-FAX-HAWS (1-888-329-4297)
1455 Kleppe Ln, Sparks NV, 89431
Phone: 775-359-4712 Fax: 775-359-7424
Haws Ag, Bachweg 3, CH-3401 Burgdorf Switzerland
Haws Mfg Pte Ltd 74 Sungai Kadut Loop Singapore 729531
e-mail: Haws@hawsco.com website: www.hawsco.com

FOR NO.:	REVISED PER:	DATE:	BY:
ECN: 3878	HM	07/27/06	BM
APPROVED:	DATE:	INFO. FAX. DOC. #:	SCALE:
		2337737/23377651	E7
MODEL(S):	6519FR	6519FR	6519FR
DRAWING NUMBER:	13083A00	13083A00	13083A00
SIZE:	A	SH: 3	OF: 3