



Freeze-Resistant

Pedestal Fountain

MODEL: 4880 FR (30") 4881 FR (36")



These fountains are certified to NSF/ANSI 61.

GENERAL

Pedestal, cast iron closed base with forest green enamel finish for year-round beauty with minimum maintenance. Contour-formed basin with rounded corners and edges reduces splatter, insures proper drainage and prevents standing waste water. **Model 4880FR** is 30" high and **Model 4881FR** is 36" high

FREEZE-RESISTANT VALVE SYSTEM

Freeze-resistant valve designed for ground installation 18" below the frost line. 60" of access tubing provided with the freeze-resistant valve system. The length of the tubing can be adjusted in the field for lesser frost depths.

BUBBLER

Exclusive one-piece, vandal-resistant, chrome-plated two-stream mound-building bubbler with non-removable anti-squirt feature and integral hood insures a satisfying drink of water.

PUSHBUTTON ACTUATION MECHANISM

Self closing, vandal-resistant pushbutton does not require grasping or twisting.

AUTOMATIC STREAM HEIGHT REGULATOR

Self-closing assembly is located inside unit to prevent tampering. Unit resists corrosion and liming. A constant stream height is automatically maintained under line pressures that vary from 20 to 105 psi.

WATER INLET

3/8" NPT fitting

DRAIN OUTLET

Drain requirements are detailed in owner's manual.

SUGGESTED SPECIFICATIONS

Fountain shall include pushbutton on the front. Shall include contour-formed basin to eliminate splashing and standing water, and shall have rounded corners and edges. Projector shall be single-stream type with integral hood guard and anti-squirt feature. The manufacturer shall certify the unit to meet the requirements of NSF/ANSI 61, and the Safe Drinking Water Act.

Note: Continued product improvement makes specifications subject to change without notice. See Halsey Taylor website for most current spec sheet.



Standard Finish is Forest Green enamel.

Each 4880 and 4881 consists of 2 cartons as follows:

Fountain
Freeze-Resistant Kit

Service stop not included.

Shipping weight: 87 lbs.

JOB NAME: _____

ENGINEER/CONTRACTOR NAME:

APPROVAL: _____
DATE: _____



4880 FR (30"), 4881 FR (36")

Freeze-Resistant Pedestal Fountain

(CONTINUED)

MOUNTING INSTRUCTIONS and PLUMBING CONNECTIONS

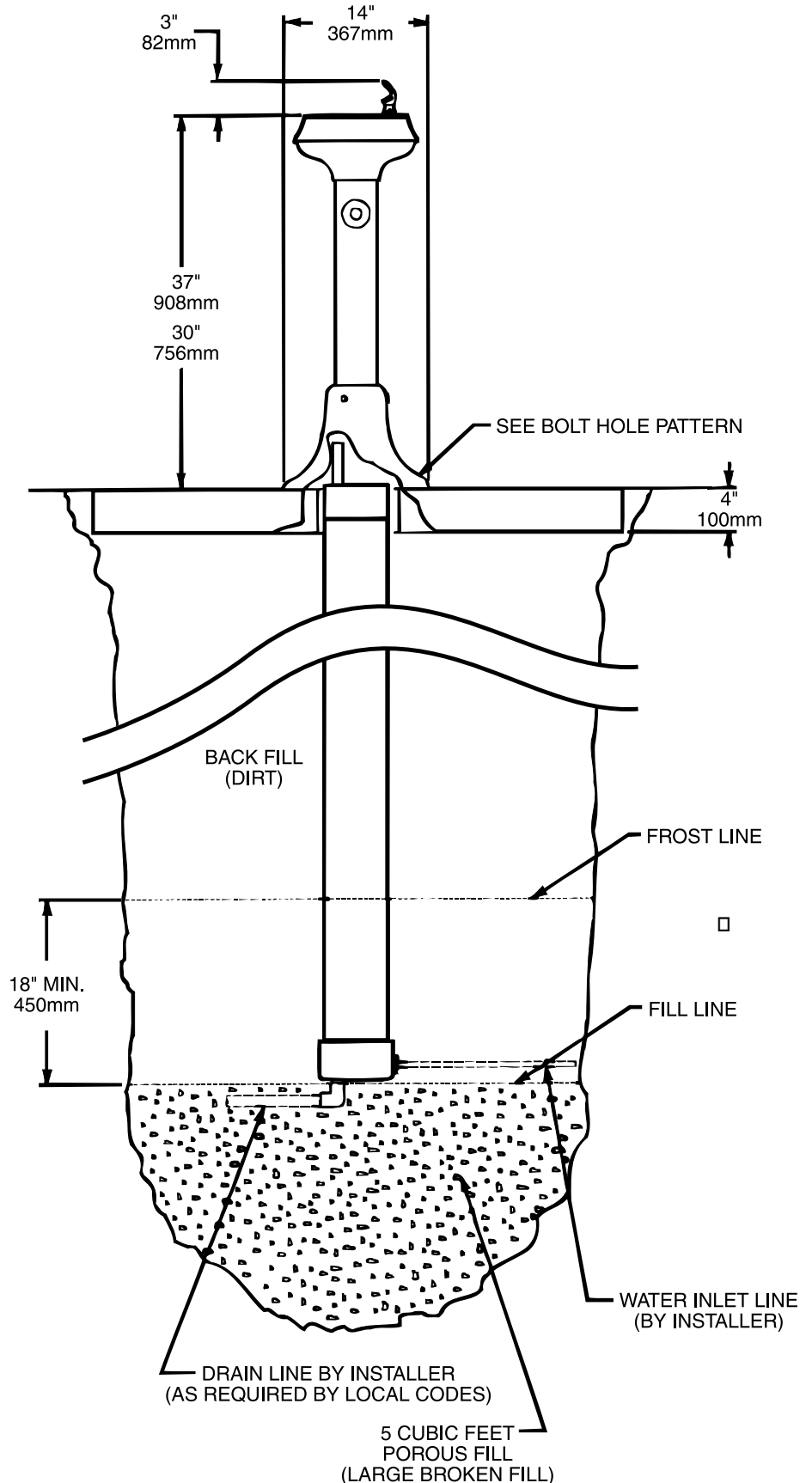
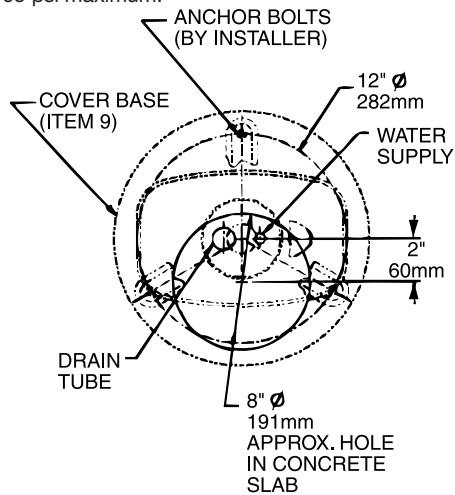
Site and drainage excavation is required for fountain installation. Refer to owner's manual for site preparation details. Provide solid, well-drained surface to mount pedestal fountain (concrete pad recommended). (3) 1/2" anchor bolts (not included) should be attached firmly to mounting surface in order to secure fountain. Refer to rough-in diagram and be sure to allow an opening for the freeze-resistant valve in the ground as shown in the installation instructions that accompany the valve system. Refer to local codes for any additional requirements.

NOTE: Fountain is not furnished with service valve. Assemble fountain to prepared site and mounting pad.

Position pedestal over plumbing and secure base to anchor bolts. Remove access panels and connect supply and water lines. Turn on water supply and check for leaks. Refer to owner's manual for detailed instructions.

OPERATING PRESSURES:

Supply water- 20 psi minimum to 105 psi maximum.



Halsey Taylor®