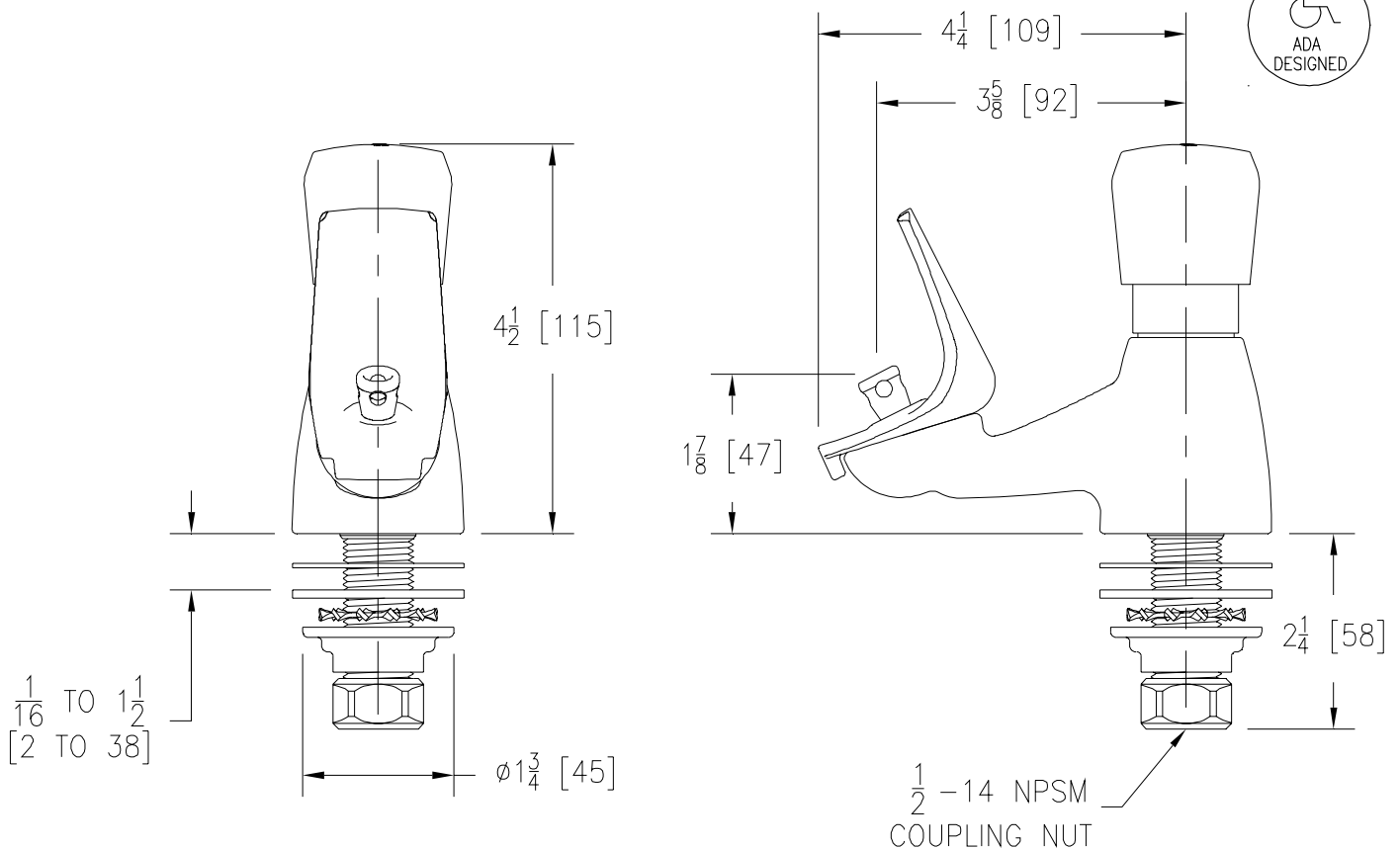




Engineering Specification: Zurn AquaSpec® Z83600

Polished chrome plated cast brass self-closing bubbler with an internal filter, an angled stream nozzle, a cast metal push handle, a flexible mouth guard with Biosafe antimicrobial technology, and a manual volume control.



Note: All dimensions are for reference only. Do not use for pre-plumbing

OPTIONAL ACCESSORIES

Suffix	Description
— -AR	Anti-Rotation Pins
— -CS	Check Stop
— -IN	Institutional Handle - Tamper-Proof and Vandal-Resistant
— -PC	Polished Chrome Plated Brass Mouth Guard
— -RKR	ADA Compliant Rocker Handle

ZURN INDUSTRIES, LLC ♦ COMMERCIAL BRASS OPERATION ♦ 2640 SOUTH WORK STREET ♦ FALCONER NY 14733

Phone: 1-716-665-1132 ♦ Fax: 1-716-665-1135 ♦ World Wide Web: www.zurn.com

In Canada: ZURN INDUSTRIES LIMITED ♦ 3544 Nashua Drive ♦ Mississauga, Ontario L4V1L2 ♦ Phone: 905/405-8272 Fax: 905/405-1292