



Water Coolers

RADII™ BI-LEVEL MODULAR FOUNTAIN MMRSL

Suggested Specification

Model MMRSL shall include push pads to activate the flow of water. Fountain shall be designed to eliminate splashing and standing water. Bubbler shall have flexible guard and operate between 20 and 120 PSI. Shall be Listed by Underwriters' Laboratories to U.S. and Canadian standards. Shall comply with ANSI 117.1 and ADA. Shall comply with the Safe Drinking Water Act and Lead Contamination Control Act. Shall comply with ANIS/NSF 61.

RADII™ Bi-Level Modular Fountain meets the needs of the physically challenged and the able-bodied.

Model

MMRSL A light press of the push pad activates the flow of water.

Standard Features

- > Built-in 100 micron strainer stops particles before they enter the waterway
- > Flexible bubbler guard
- > Waterways are Lead-Free in Materials & Construction
- > Brushed Stainless Steel Finish
- > Heavy duty galvanized steel mounting frame
- > Product Certified to NSF/ANSI Standard 61, Annex G (AB1953)
- > Limited 1-Year Warranty

Finishes

- > Standard finish: Stainless Steel
- > Optional finish at extra cost: Regency Bronze

Installation

- > Prior to roughing-in, consult local, state and federal codes for proper mounting height.
- > Wall mounting frame is furnished for easy installation

Weight

- > Net weight approximately 64 lbs.



ADA Compliant when properly installed in an alcove or with right and left wing walls.



Components in this cooler are lead free as defined by the Safe Drinking Water Act Amendments of 1986, and the Lead Contamination Control Act of 1988.

Limited 1-Year Warranty (Continental limits of the United States and Canada): One year from date of installation on parts only. Detailed warranty certificate enclosed with each drinking fountain; sample copy available upon request.

Export Warranty: One year on component parts. Detailed warranty certificate enclosed with each drinking fountain; sample copy available upon request.

Product Certified to NSF/ANSI Standard 61, Annex G (weighted average lead content of $\leq 0.25\%$) and is in compliance with California's Health & Safety Code Section 116875 (commonly known as AB1953).

Models covered by this specification comply with all known Plumbing Codes. Listed by Underwriters' Laboratories to U.S. and Canadian standards.

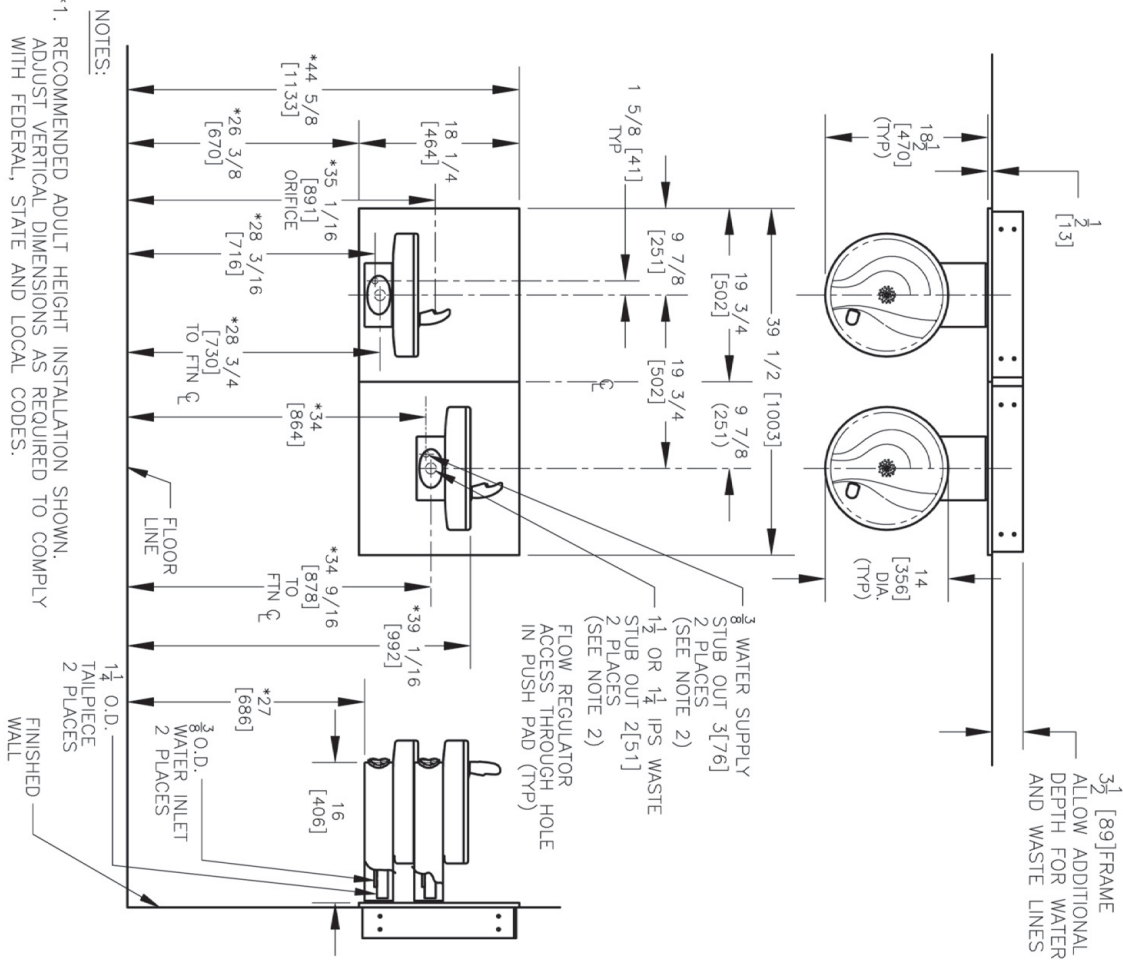
Water coolers are classified by Underwriters' Laboratories Inc. in accordance with ANS/NSF 61.



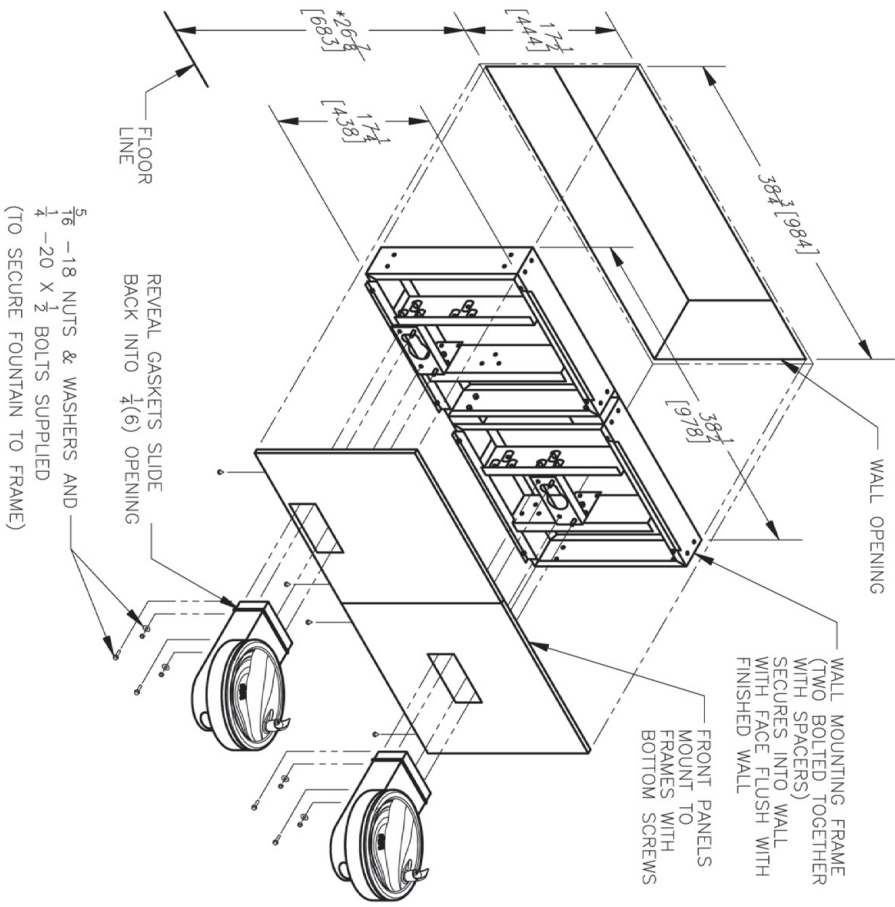
Certified to
NSF/ANSI 61-G

OASIS™ RADII™ BI-LEVEL MODULAR DRINKING FOUNTAIN MODEL MRSL

ROUGHING-IN AND DIMENSIONAL DRAWING



WALL OPENING & ASSEMBLY



THIRD ANGLE PROJECTION



ROUGHING-IN AND DIMENSIONAL DRAWING

ROUGHING-IN AND DIMENSIONAL DRAWING

ROUGHING-IN AND DIMENSIONAL DRAWING