



model 1212S

Wall Mount Hi-Lo ADA Water Cooler with Bottle Filler

FEATURES & BENEFITS

SMART ENERGY SAVINGS MODE

Energy saving feature allows unit to power off the refrigeration system after 60 minutes of non-use and dark ambient light conditions. Unit will automatically start back up next time unit is used or lights are turned back on.

PROGRAMMABLE FEATURES

Program your cooler to be in off mode during planned facility shut downs, change the settings on the digital readout for bright or dim display, adjust sensor range, and review settings and error codes.

MODERN INNOVATIVE DESIGN

Modern, innovative design with stainless steel finish gives a sleek look and feel to high-end architectural spaces and lobbies.

UNIVERSAL MOUNTING

Specially designed internal configuration allows for mounting over existing competitors rough-ins.

BUBBLER HEAD

Bubbler features a flexible antimicrobial mouth guard to protect against injury and microorganisms. Anti-rotational design prevents unwanted attempts to remove or rotate the head.

ELECTRONIC DISPLAY

Intuitive LED electronic display educates users when the bottle filler is activated, when the water is being filtered and how many plastic bottles have been saved.

BOTTLE FILLER

Quick fill sensor-operated bottle filler is accessible to all users, has LED lighting to illuminate the fill area, and an integral basin that drains directly to the waste.



SPECIFICATIONS

Model 1212S indoor wall-mount ADA Hi-Lo stainless steel water cooler and bottle filler shall include an ASHRAE compliant, hermetically sealed R-134a refrigeration system with adjustable thermostat. Unit features a unique, modern Hi-Lo (dual fountain) design with stainless steel outer shell. Energy savings feature powers down refrigeration system after 60 minutes of non-use and the lights shut off, and will automatically start again when used. The unit can also be programmed to shut down during planned facility closures, weekends, etc. Digital LED interface keeps user apprised of programming and error codes. Bottle filler basin drains directly to the units waste. The system includes electronic front push bar controlled solenoid valves, .45 gpm self-regulating, anti-rotational bubbler heads with flexible antimicrobial mouth guards, bubbler head deactivation option, bottle filler auto purge every 24 hours, instantaneous tankless water cooler for consistent cool water, and LED illuminated bottle fill area. 115 Volts, 60Hz, rated watts: 350, full load amps: 5. Dimensions: (L x W x H) 18-3/4 x 34-1/16 x 40-3/4"

OPTIONS

An optional bubbler head deactivation feature is available on this model and allows sites the flexibility to temporarily deactivate and remove the drinking fountain bubbler heads. This must be ordered as a 1212S-1000 configuration. This option will have a "dip" switch that will need to be deactivated during installation. In addition, the unit will include informational signage for users and bubbler hole cover plates to replace where the bubblers were located. This deactivation can be reversed when normal drinking fountain usage is required. The feature provides facilities with the full functionality of the unit to meet building and ADA compliance requirements.

APPLICATIONS

Great for schools, office buildings, shopping malls, and other indoor environments where there is a demand for a chilled water source. CSA certified to comply with NSF/ANSI 61 and 372, ASME A112.18.1/CSA B125.1, ASME 112.19.3/CSA B45.4, UL 399 and CSA C22.2 No. 120. ADA compliant to ICC A117.1, CSA B651, DOJ's 2010 ADA Standards for Accessible Design when properly installed. ASHRAE 18 compliant chilling capacity. FCC and CAN ICES - 3(A)/NMB-3(A). Electric water coolers are not recommended or designed for outdoor applications or enclosed pool areas (chlorine), and failure to heed these conditions may void warranty.

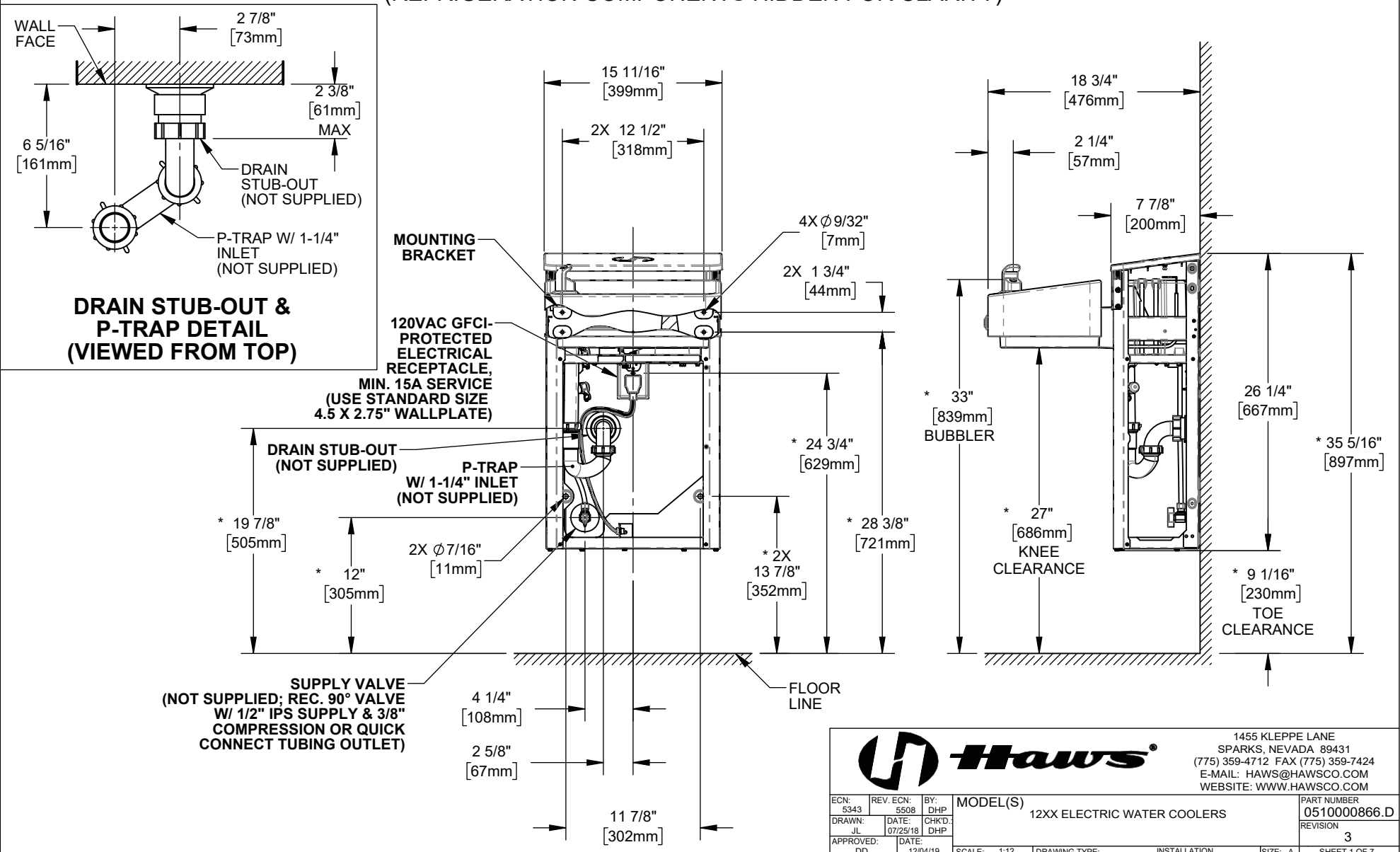


NOTES:

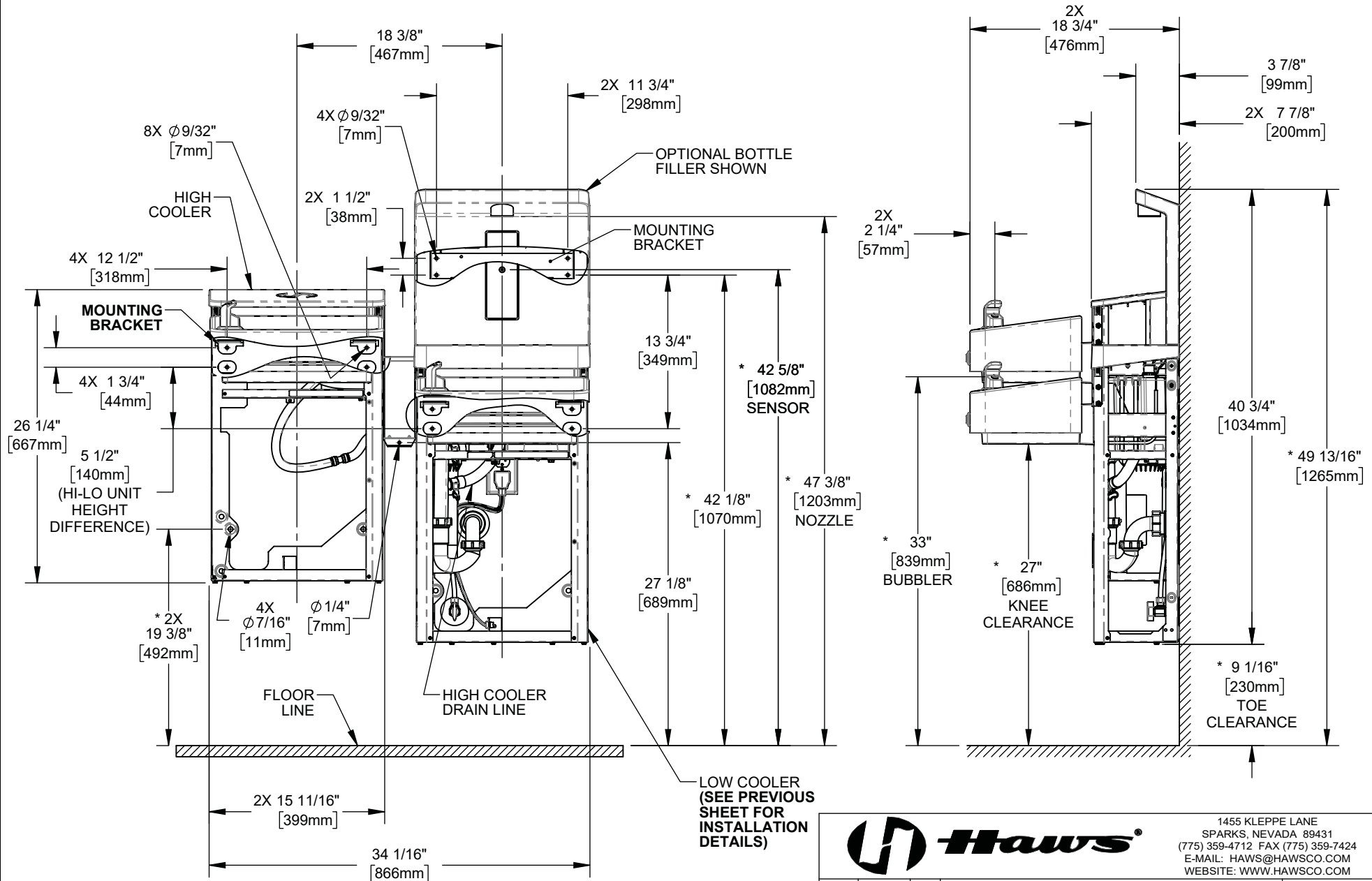
1. HOLD PLUMBING & ELECTRICAL DIMENSIONS $\pm 1/4"$ (6.4mm). HOLD MOUNTING DIMENSIONS $\pm 1/8"$ [± 3.2 MM].
2. ADHERING TO PROVIDED INSTALLATION HEIGHT DIMENSIONS WILL ALLOW A SINGLE WATER COOLER (OR THE LOW WATER COOLER IN A HI-LO INSTALLATION), AND THE BOTTLE FILLER (IF APPLICABLE) TO BE INSTALLED AT ADULT ADA HEIGHT. FOR INSTALLATION HEIGHTS OTHER THAN SHOWN, DIMENSIONS MARKED (*) MUST BE ADJUSTED ACCORDINGLY. WHEN INSTALLING THIS UNIT, LOCAL, STATE, OR FEDERAL CODES SHOULD BE ADHERED TO.

TYPICAL SINGLE (OR LOW) UNIT INSTALLATION

(REFRIGERATION COMPONENTS HIDDEN FOR CLARITY)



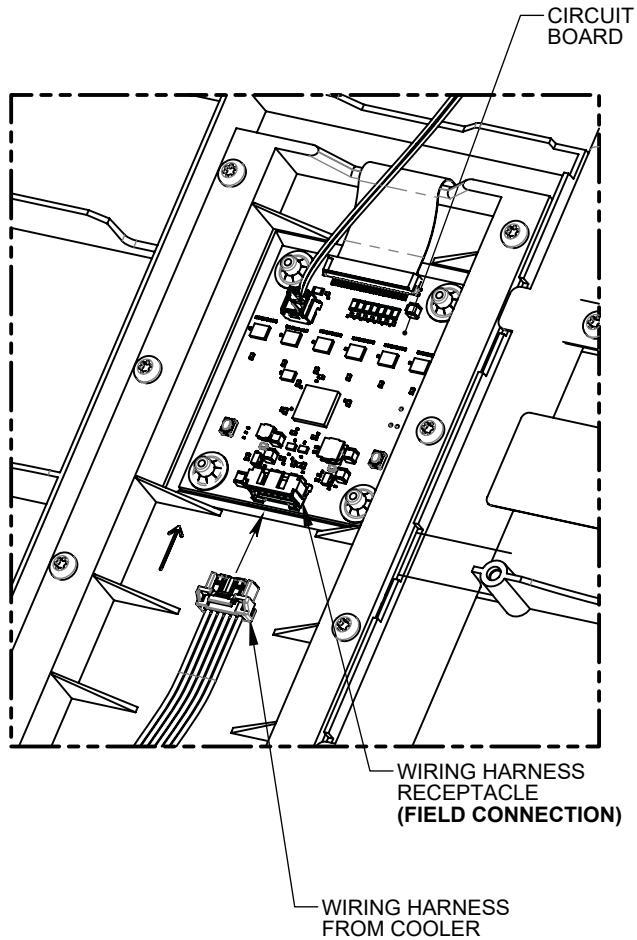
TYPICAL HI-LO UNIT INSTALLATION (REFRIGERATION COMPONENTS HIDDEN FOR CLARITY)



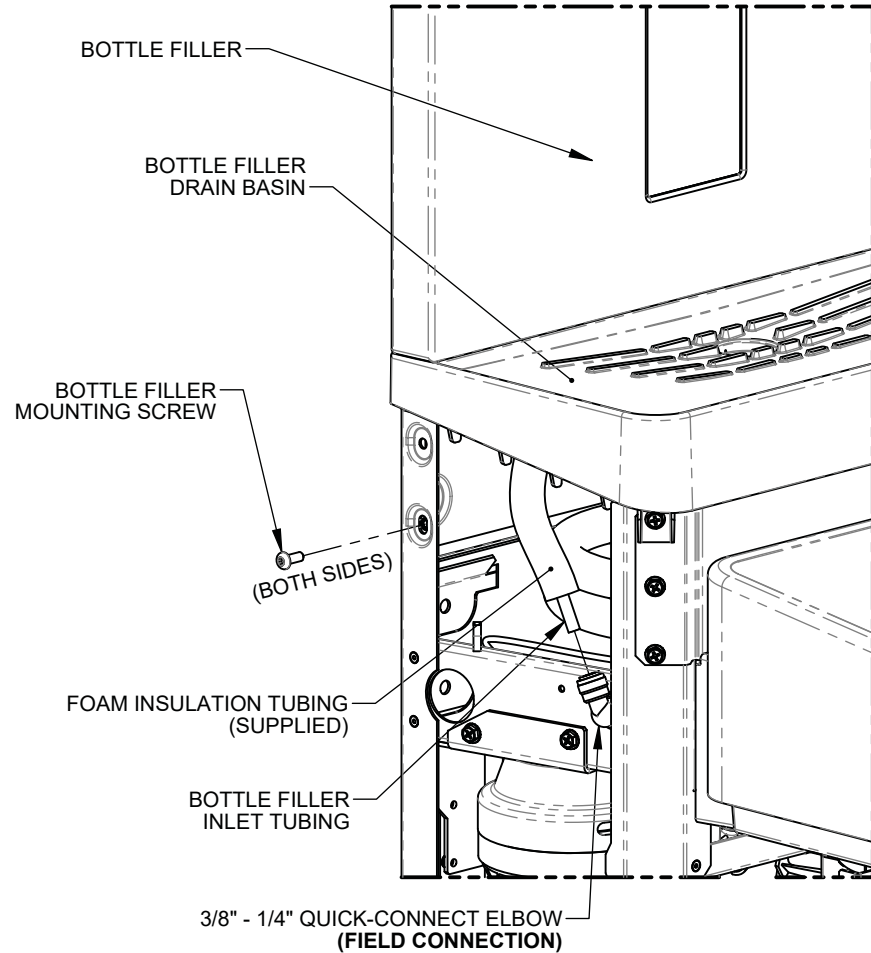
1455 KLEPPE LANE
SPARKS, NEVADA 89431
(775) 359-4712 FAX (775) 359-7424
E-MAIL: HAWS@HAWS.CO.COM
WEBSITE: WWW.HAWS.CO.COM

ECN: 5343	REV. ECN: 5508	BY: DHP	MODEL(S)	PART NUMBER
DRAWN: JL	DATE: 07/25/18	CHKD: DHP	12XX ELECTRIC WATER COOLERS	0510000866.D
APPROVED: DD	DATE: 12/04/19			REVISION
				3
SCALE: 1:12			DRAWING TYPE: INSTALLATION	SIZE: A
			SHEET 2 OF 7	


BOTTLE FILLER INSTALLATION DETAILS



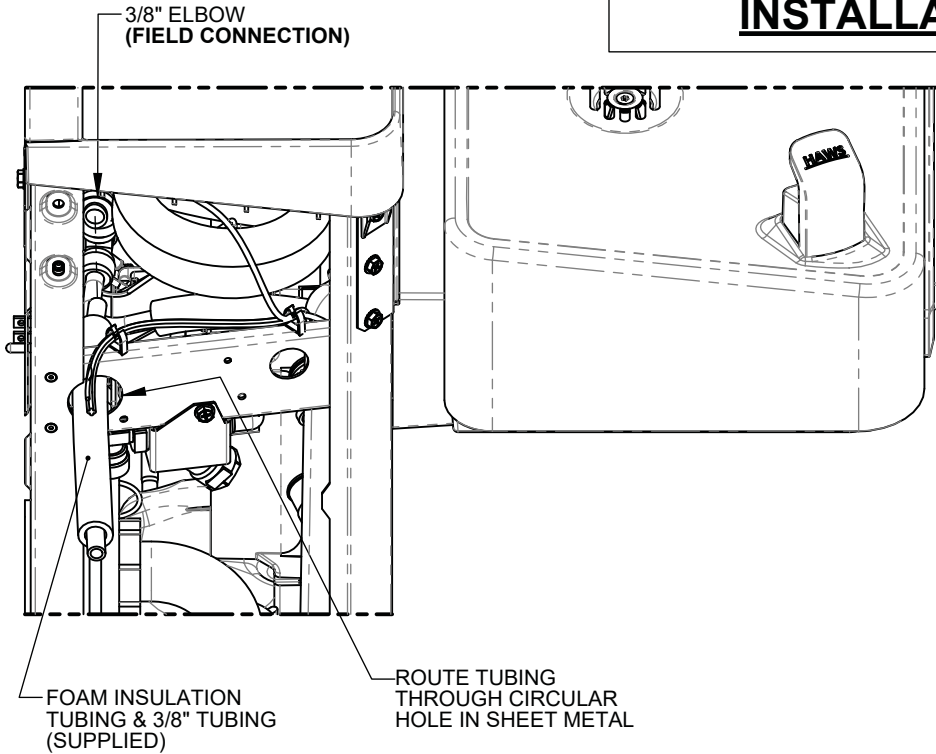
**WIRING HARNESS CONNECTION
(REAR OF BOTTLE FILLER)**



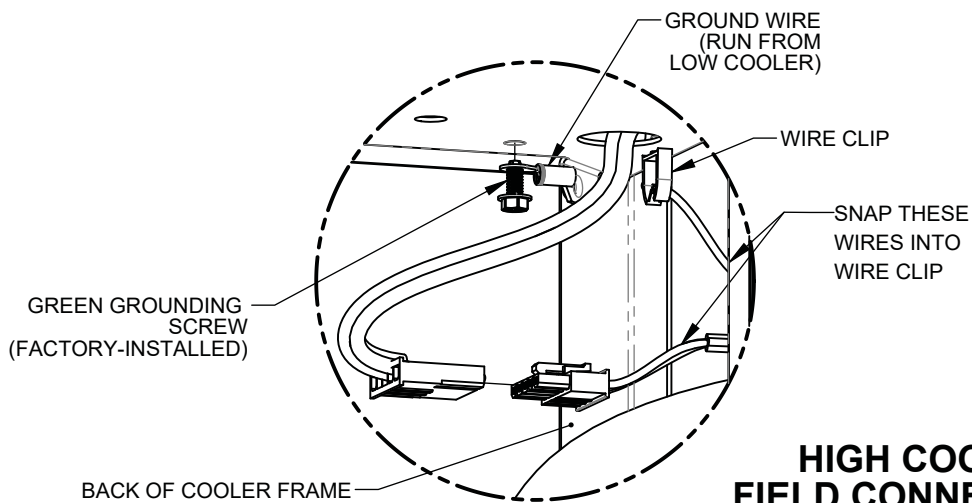
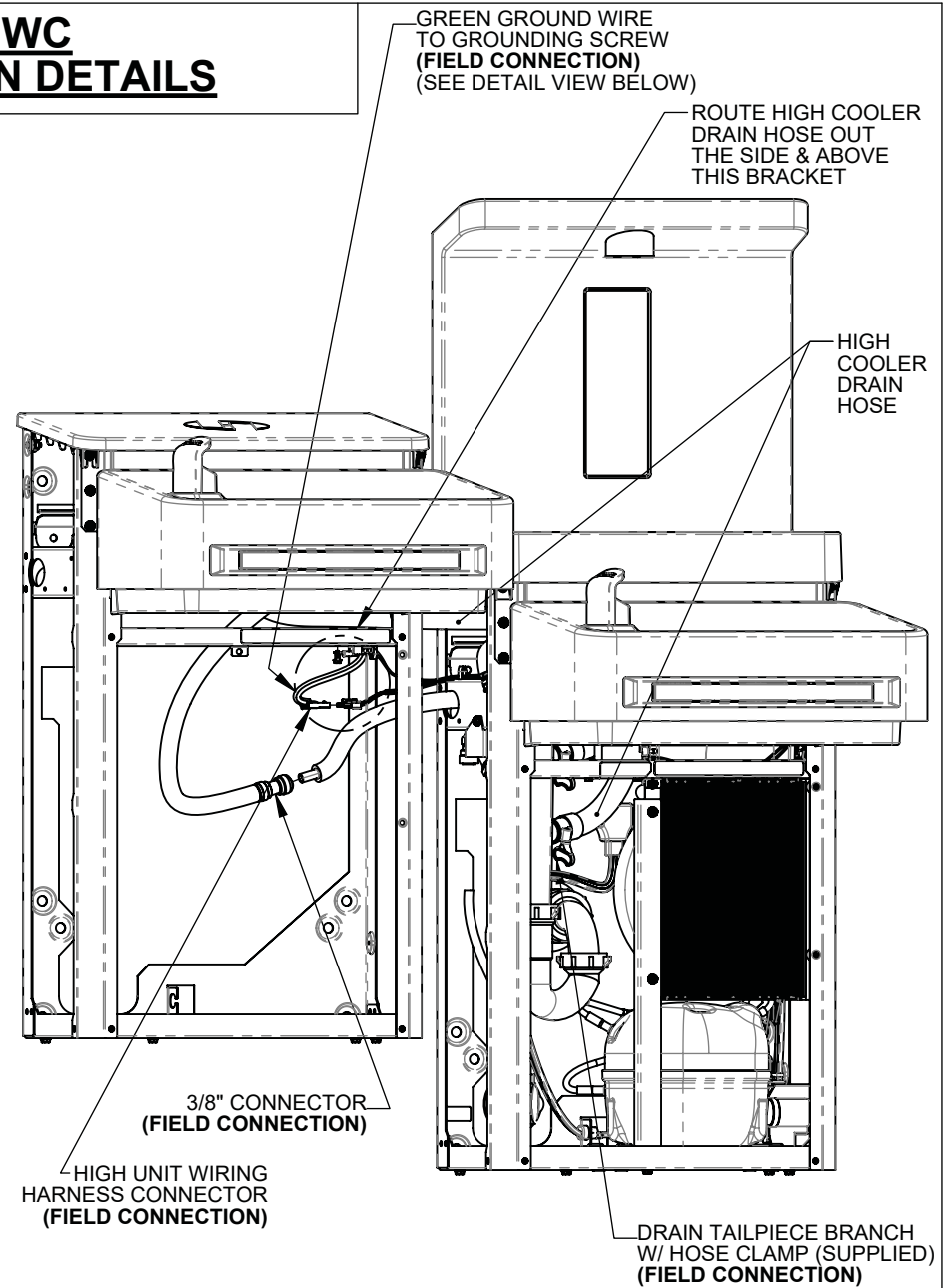
**BOTTLE FILLER MOUNTING &
TUBING CONNECTION**

		1455 KLEPPE LANE SPARKS, NEVADA 89431 (775) 359-4712 FAX (775) 359-7424 E-MAIL: HAWS@HAWSCO.COM WEBSITE: WWW.HAWSCO.COM	
		ECN: 5343 DRAWN: JL APPROVED: DD	REV. ECN: 5508 DATE: 07/25/19 DATE: 12/04/19
PART NUMBER 0510000866.D			REVISION 3
SCALE: 1:12 DRAWING TYPE: INSTALLATION SIZE: A		SHEET 3 OF 7	


HIGH EWC INSTALLATION DETAILS



**HIGH EWC TUBING CONNECTION
(ON LOW COOLER)**



**HIGH COOLER
FIELD CONNECTIONS**



1455 KLEPPE LANE
SPARKS, NEVADA 89431
(775) 359-4712 FAX (775) 359-7424
E-MAIL: HAWS@HAWSCO.COM
WEBSITE: WWW.HAWSCO.COM

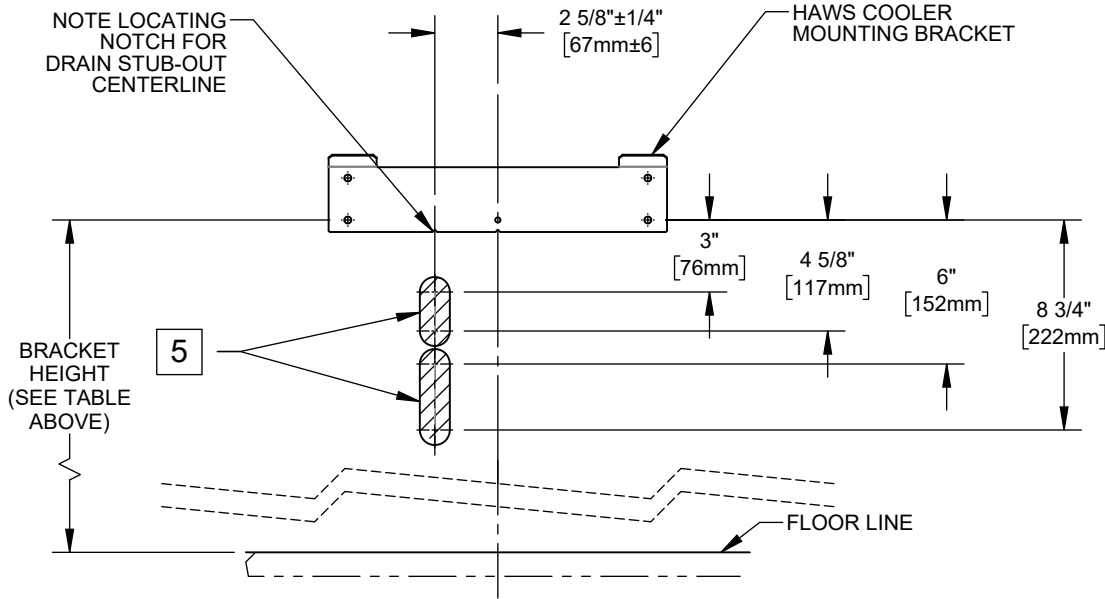
ECN: 5343	REV. ECN: 5508	BY: DHP	MODEL(S)	PART NUMBER
DRAWN: JL	DATE: 07/25/18	CHKD: DHP	12XX ELECTRIC WATER COOLERS	0510000866.D
APPROVED: DD	DATE: 12/04/19			REVISION
		SCALE: 1:24	DRAWING TYPE: INSTALLATION	3
			SIZE: A	SHEET 4 OF 7

RETROFIT INSTALLATION DETAILS

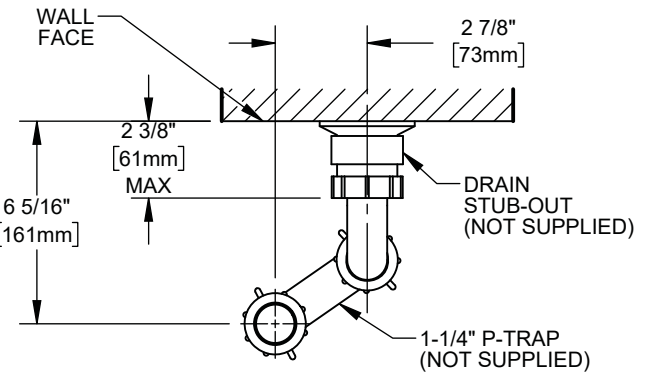
3 RETROFIT TABLE

MANUFACTURER	MODEL
HAWS	ALL MODELS STARTING WITH HWUACP
ELKAY/HALSEY TAYLOR	- ALL MODELS STARTING WITH EB, EI, EMA, EN, EZ, HAC HVR, LI, LMA, LZ, TB, & TI - SINGLE COOLER MODELS STARTING WITH VRC & LVR
OASIS	ALL VERSACOOLER II MODELS
SUNROC	ALL MODELS STARTING WITH ADA
MURDOCK	A171, A171.8, & A172.8UBL MODELS NOTE: THE WATER STOP VALVE MUST BE RELOCATED TO RETROFIT A FILTERED 12XX COOLER

LOW COOLER BRACKET HEIGHT		
ADULT STANDING	ADULT ADA	CHILD ADA
33 7/8"	28 3/8"	25 3/8"



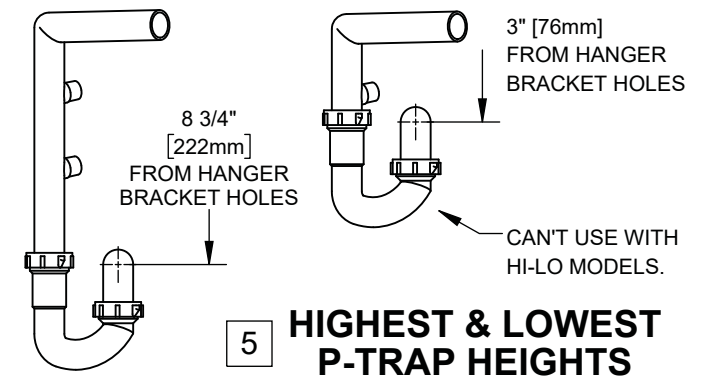
PERMISSIBLE LOCATIONS FOR DRAIN STUB-OUT



6 DRAIN STUB-OUT/P-TRAP DETAIL (VIEWED FROM TOP)

NOTES:

- THE 12XX COOLER SERIES IS ABLE TO RETROFIT IN PLACE OF A NUMBER OF COMPETITOR MODELS. SEE RETROFIT TABLE ABOVE FOR PARTIAL LIST OF COOLERS ABLE TO BE REPLACED BY THIS ONE.
THE FOLLOWING DISCLAIMERS APPLY:
 - THE 12XX COOLER CENTERLINE MAY NOT MATCH THE OLD COOLER'S CENTERLINE, SINCE THE 12XX COOLER DRAIN MUST BE 2 5/8" OFF OF CENTER. THIS MAY AFFECT ADA COMPLIANCE.
 - FOR HI-LO COOLER RETROFITS, EXISTING RIGHT-SIDE COOLER MUST BE THE LOW COOLER. DRAIN, WATER, AND ELECTRIC SERVICES MUST BE POSITIONED BEHIND RIGHT-SIDE UNIT.
 - THERE MUST BE WALL BLOCKING OR OTHER STRUCTURAL MATERIAL BEHIND HAWS MOUNTING HOLES.
 - VERIFY THAT DRAIN, ELECTRIC, & WATER SERVICES ARE LOCATED WITHIN BOUNDARIES SPECIFIED ON THIS SHEET AND THE NEXT. SOME RETROFITS MAY REQUIRE THE ELECTRIC OUTLET TO BE MOVED.
- THE P-TRAP IS NOT SUPPLIED. THE VERTICAL DIMENSIONS GIVEN ARE BASED UPON INSTALLATION USING OF A KEENEY 200W P-TRAP, AND SHOULD THEREFORE BE REGARDED AS REFERENCE-ONLY.
- THE CENTERLINE OF THE DRAIN STUB-OUT MUST BE BETWEEN 3" [76mm] & 4-5/8" [118mm] OR BETWEEN 6" [152mm] & 8-3/4" [229mm] BELOW THE LOWERMOST EWC MOUNTING BRACKET HOLES IN ORDER FOR THE P-TRAP TO AFFIX PROPERLY TO THE DRAIN TAILPIECE.
 - DEPENDING ON STUB-OUT HEIGHT, SOME TRIMMING OF THE TAILPIECE WILL BE REQUIRED.
 - MOUNTING THE STUB-OUT IN THE HIGHER RANGE WILL REQUIRE TRIMMING THE TAILPIECE ABOVE THE LOWER DRAIN HOSE BRANCH. **IN THIS INSTANCE, THEREFORE, A HI-LO COOLER CANNOT BE INSTALLED.**
- WHATEVER P-TRAP AND STUB-OUT PLUMBING ARE USED, CARE SHOULD BE TAKEN TO ENSURE THAT THE P-TRAP CAN SEAL TO THE STUB-OUT PROPERLY AND STILL ALIGN TO THE DRAIN TAILPIECE (LOCATED AT THE GIVEN DIMENSIONS).



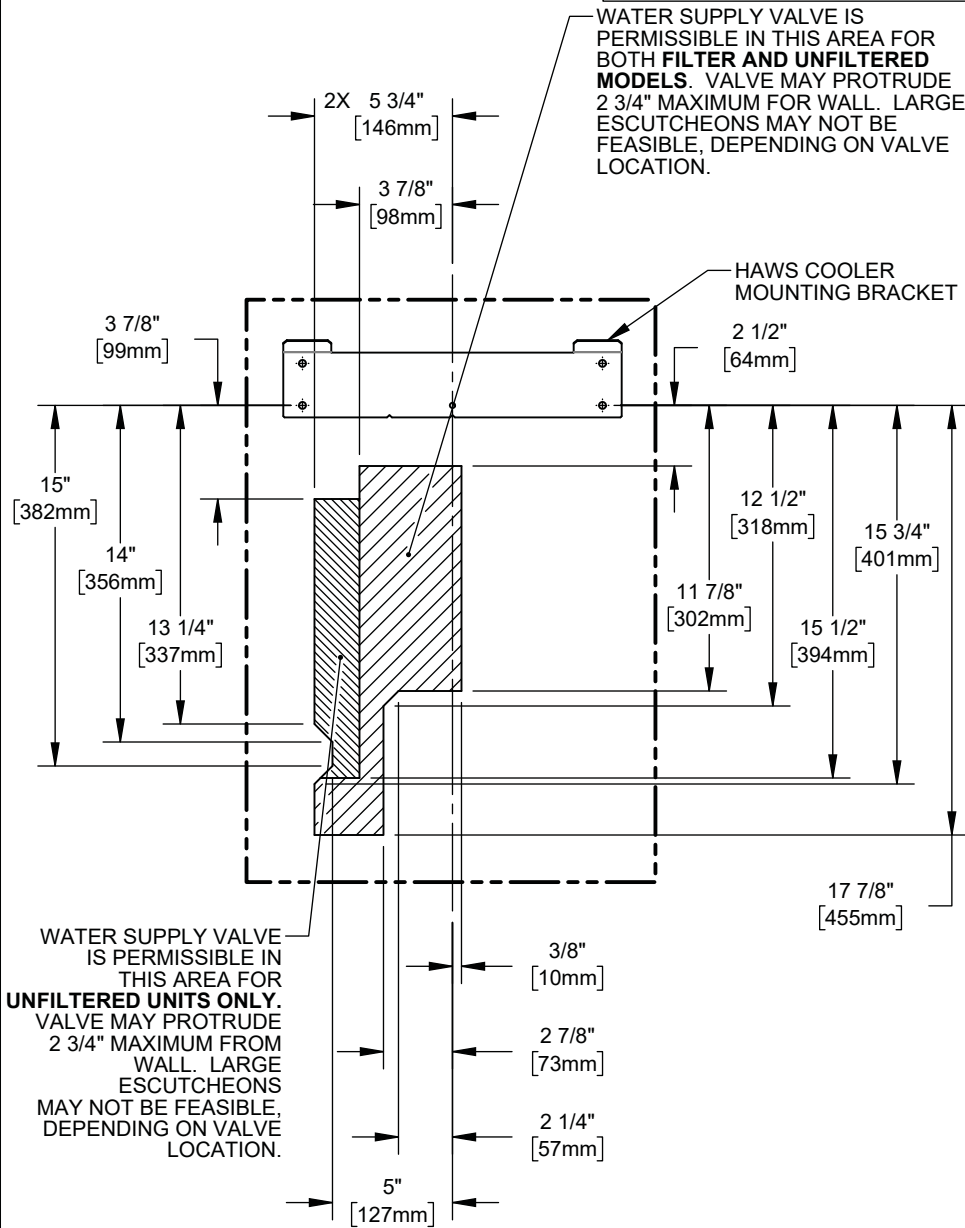
5 HIGHEST & LOWEST P-TRAP HEIGHTS



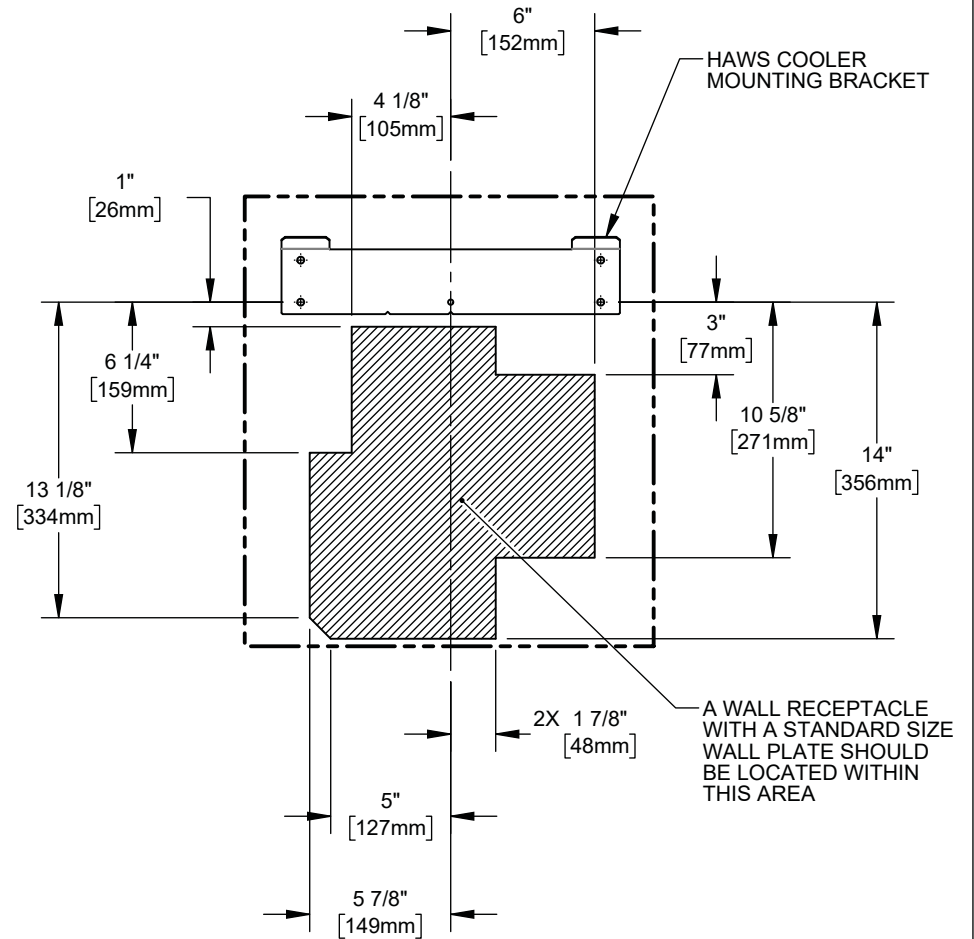
1455 KLEPPE LANE
SPARKS, NEVADA 89431
(775) 359-4712 FAX (775) 359-7424
E-MAIL: HAWS@HAWSO.COM
WEBSITE: WWW.HAWSO.COM

ECN: 5343	REV. ECN: 5508	BY: DHP	MODEL(S): 12XX ELECTRIC WATER COOLERS	PART NUMBER: 0510000866.D
DRAWN: JL	DATE: 07/25/18	CHKD: DHP		REVISION: 3
APPROVED: DD	DATE: 12/04/19	SCALE: 1:8	DRAWING TYPE: INSTALLATION	SIZE: A SHEET 5 OF 7

RETROFIT INSTALLATION DETAILS



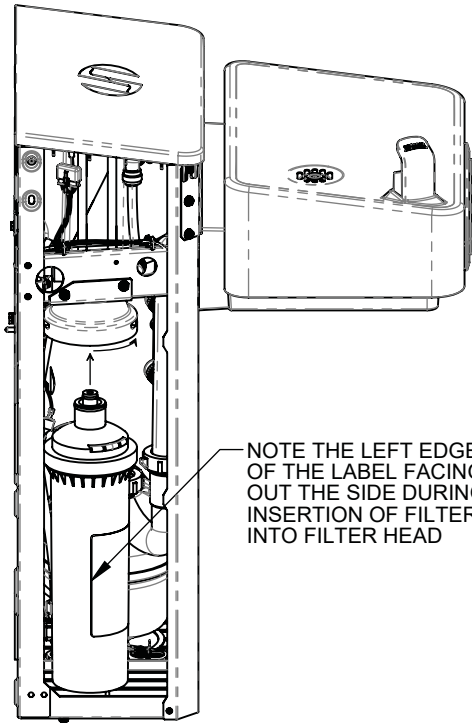
**PERMISSIBLE WATER
SUPPLY LOCATIONS**



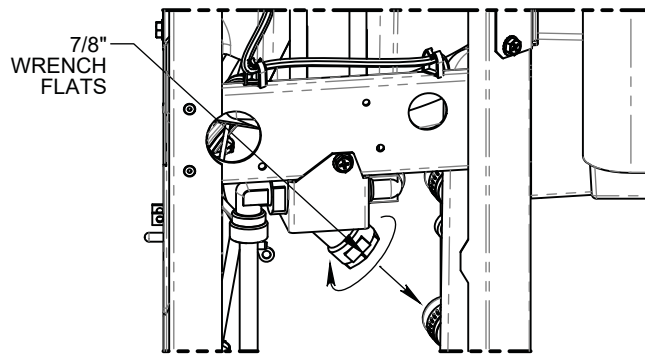
**PERMISSIBLE ELECTRICAL
RECEPTACLE LOCATIONS**

Haws		1455 KLEPPE LANE SPARKS, NEVADA 89431 (775) 359-4712 FAX (775) 359-7424 E-MAIL: HAWS@HAWSCO.COM WEBSITE: WWW.HAWSCO.COM	
ECN: 5343	REV. ECN: 5508	BY: DHP	MODEL(S) 12XX ELECTRIC WATER COOLERS
DRAWN: JL	DATE: 07/25/19	CHKD: DHP	PART NUMBER 0510000866.D
APPROVED: DD	DATE: 12/04/19	SCALE: 1:8	DRAWING TYPE: INSTALLATION
		SIZE: A	REVISION 3
		SHEET 6 OF 7	


MAINTENANCE



FILTER REPLACEMENT



Y-STRAINER CLEANING

			1455 KLEPPE LANE SPARKS, NEVADA 89431 (775) 359-4712 FAX (775) 359-7424 E-MAIL: HAWS@HAWSO.COM WEBSITE: WWW.HAWSO.COM	
			ECN: 5343 DRAWN: JL APPROVED: DD	REV. ECN: 5508 DATE: 07/25/19 DATE: 12/04/19
SCALE: 1:8 DRAWING TYPE: INSTALLATION SIZE: A			SHEET 7 OF 7	



INSTALLATION, OPERATION & MAINTENANCE INSTRUCTIONS

1455 Kleppe Lane ♦ Sparks, NV 89431-6467 ♦ (775) 359-4712 ♦ Fax (775) 359-7424
E-mail: haws@hawsco.com ♦ website: www.hawsco.com

No. 0080030539 (1)

BUBBLER DEACTIVATION AND INSTALLATION OF COVER PLATE

CONFIGURATION 1000 FOR MODELS 1211S, 1211SF, 1212S, & 1212SF

NOTE TO INSTALLER: Please leave this information with the Maintenance Department.

SAFETY PRECAUTIONS

CAUTION: SEE NOTES ON 1200 SERIES O&M, DOC NUMBER 0510000866

CAUTION: WEAR GLOVES WHEN WORKING NEAR EDGES OF SHEET METAL PARTS.

SHOULD YOU EXPERIENCE DIFFICULTY WITH THE INSTALLATION OF THIS MODEL PLEASE CALL:

TECHNICAL SUPPORT: **1-800-766-5612**
FOR CUSTOMER SERVICE: **1-888-640-4297**

REQUIRED TOOLS (OR EQUIVALENT):

- 1/4" Bit-holding screwdriver
- #2 Phillips bit
- 5/16" Nut Driver (Not required but helpful)
- T20 Torx bit (included)
- Plastic mechanical pencil or other similar nonmetallic pointed and slender object.

REQUIRED PARTS

- Cover plate with attached 3/8" stem (both included)
- Rubber gasket (included)
- QTY 3 #8x1/4 Phillips Head Screws (included)

PROCEDURE

GENERAL NOTES:

- a. Deactivation of the bubbler is intended to be for temporary durations of less than one year.
- b. Parts removed from the cooler should be kept in the supplied packaging and stored in a proper location so that they can be used to restore the cooler to full functionality at a later time.

A. DEACTIVATION OF THE BUBBLER(S)

1. Remove the clear plastic cover underneath the bowl on the right side or single unit by using a T20 torx bit.
2. Locate the component on the circuit board that has eight numbered switches. It is adjacent to the blue button. Using a nonmetallic pointed object such as a mechanical pencil tip, change the position of switch 1 to the "ON" position by sliding it up. Switch 1 is on the left, closest to the blue button.
3. Verify that the bubbler(s) have been deactivated by pressing the pushbar or putting a hand in front of the sensor (if applicable). The bottle filler display should be displaying a "fountain off" message every ten seconds.
4. Reinstall the clear plastic cover.

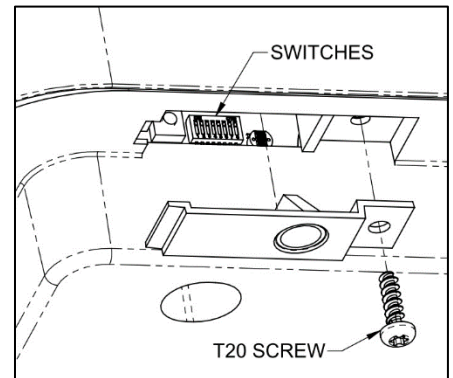


Figure 1: Access to Switches

B. INSTALLATION OF THE COVER PLATE(S) (OPTIONAL BUT HIGHLY RECOMMENDED)

5. Disconnect power to the unit via the breaker or by removing the skirt and unplugging the main power cord.
6. Remove the black plastic cover underneath the bowl by removing the (4) screws using either a phillips bit or 5/16" nut driver.
7. Remove the (3) T20 head screws attaching the bubbler to the bowl, then pull up on the bubbler to release the push-to-connect fitting from it.
8. Store the bubbler and T20 head screws in a safe location so that they can be reinstalled later.
9. Install the cover plate by using the (3) #8x1/4 phillips head screws, taking care that the rubber gasket is positioned properly.
10. Install the push-to-connect fitting that previously connected to the bubbler to the stem which is attached to the cover plate.
11. Reinstall the lower bowl cover with the (4) screws, making sure it is slid to the frontmost position before installing the screws using a low amount of torque.
12. Repeat steps 6-11 for the high (left) side unit if applicable.
13. Reconnect power to the unit.

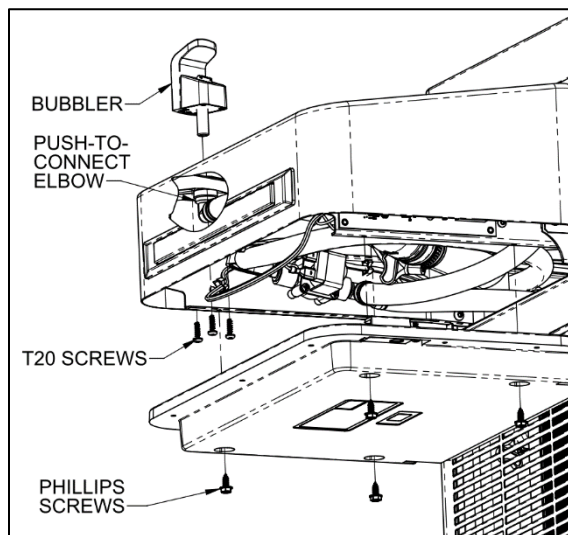


Figure 2: Bubbler Removal

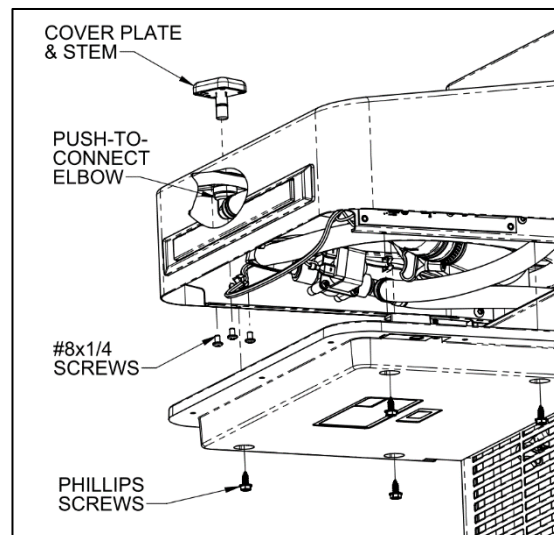


Figure 3: Cover Plate Installation

C. REINSTALLATION AND REACTIVATION OF THE BUBBLER

Reverse the steps above, taking care that the power is off while working inside of the bowl area. Flush water through the bubbler for at least five minutes prior to use.

© 2020 Haws® Corporation – All Rights Reserved
HAWS® and other trademarks used in these materials are the exclusive property of Haws Corporation.



1455 Kleppe Lane, Sparks, Nevada 89431 – 800.766.5612 – www.hawscorp.com



WATER COOLER WARRANTY AND LICENSE

EXCEPT AS EXPRESSLY STATED HEREIN, MANUFACTURER HEREBY DISCLAIMS ALL WARRANTIES, WHETHER EXPRESS OR IMPLIED, ARISING BY LAW OR OTHERWISE, INCLUDING WITHOUT LIMITATION, ANY IMPLIED WARRANTIES OF MERCHANTABILITY AND FITNESS FOR A PARTICULAR PURPOSE. THIS WARRANTY MAY NOT BE MODIFIED OR EXTENDED WITHOUT THE WRITTEN CONSENT OF HAWS. REMEDIES AND REPLACEMENTS STATED HEREIN ARE EXCLUSIVE. IN NO EVENT SHALL HAWS BE LIABLE FOR ANY SPECIAL, PUNITIVE, CONSEQUENTIAL OR INCIDENTAL DAMAGES TO ANY PERSON INCLUDING BUT NOT LIMITED TO DAMAGES FOR LOSS OF USE OR PROFITS, SUBSTITUTE PRODUCTS OR COSTS, PROPERTY DAMAGE, OR OTHER MONETARY LOSS.

1. TIME BASED WARRANTY FOR AUTHORIZED RESELLERS AND INITIAL PURCHASERS. Haws Corporation (“Haws”) warrants that every cooler and bottle filling station will be free from material defects in materials and workmanship under normal use for one (1) year from the date of installation or if earlier, eighteen (18) months from date of shipment from Haws’ factory. Haws warrants that the compressor and hermetically sealed refrigeration system, which includes cooling coils and tank assembly, insofar as either is part of the hermetically sealed refrigeration system, will be free from material defects in materials and workmanship under normal use for an additional four (4) years from the end of the initial time period described in the first sentence of this paragraph. (This warranty for years 2 through 5 is pro-rated for the remaining replacement value based on the portion of the warranty period expired). The warranties set forth in this paragraph are collectively referred to herein as the “**Limited Warranty**”. This Limited Warranty applies only to coolers and bottle filling stations purchased by (i) authorized resellers of Haws’ products, and (ii) the initial purchaser (first owner) who purchases the product other than for resale.

2. WARRANTY VOID. The products must be installed and operated in accordance with Haws’s written instructions included with each unit, or the Limited Warranty will be null and void. The products are designed to operate on 30 - 90 psi flowing inlet pressure. Depending on water temperature and flowing inlet pressure for bi-level water coolers, ADA-compliant bubbler stream heights are not guaranteed when both bubblers are activated simultaneously. Where products are found by Haws to have been subjected to negligence, recklessness, accident, alteration, abuse, carelessness, misuse, misapplications, corrosive type atmospheres, unsuitable environments, faulty installation, or abnormal use, this Limited Warranty will be null and void.

3. RESPONSIBILITIES. The owner is responsible for any repairs or maintenance not covered by this Limited Warranty, including service for issues that not warranted hereunder. The owner must deliver written notice to Haws of any imperfections at the time of installation without delay. Haws’ obligations under this Limited Warranty are limited to labor and parts to repair or replace any part which is expressly covered by this Limited Warranty at its factory repair department, when the product is in the United States or Canada. The Limited Warranty applicable to any replacement unit shall not extend beyond the warranty period of the original unit (e.g., if a replacement cooler is installed 8 months after installation of the original cooler, the replacement cooler will be warranted for 4 months from installation.). Haws’ duty also includes costs of outbound freight (but not express freight) of the part or parts from the factory repair department, but only if the part or parts, and the purported defect or defects, are covered by this Limited Warranty, in Haws’ sole discretion. When the product is located outside the United States and Canada, Haws’ obligation under this Limited Warranty includes only providing a replacement for any part expressly covered by this Limited Warranty which is found to be defective by Haws or its agent but does not include any obligation to provide labor or to pay labor costs incurred in connection with the replacement. Haws’ duties also include cost of outbound freight (but not express freight) of the part or parts from the factory repair department to (but not beyond) the port in the United States from which the part or parts are shipped to the final destination, but only if the part or parts, and the purported defect or defects, are covered by this Limited Warranty, in Haws’ sole discretion. To obtain warranty service, Owner must call the factory. For the nearest Manufacturer factory, call (800) 766-5612.

4. EXCLUSIONS. This Limited Warranty does not include the costs of any labor for normal maintenance including adjustments such as water stream quality, water temperature or energy savings mode. The water system and laminar flow inserts are not covered by this Limited Warranty if Haws determines that they have become inoperative due to liming, sand or similar residue or decomposition. This Limited Warranty is voided if repairs are made by any unauthorized party or the serial number data plate is removed or has been modified from its original state. Normal deterioration of finish caused by ordinary wear and tear, corrosion, or exposure is not covered by this Limited Warranty. Haws is not responsible for any repairs whatsoever to walls on which the coolers and bottle filling stations are installed. If inlet pressure is above 90 psi, a pressure regulator must be installed in the supply line to preserve this Limited Warranty. Any damage caused by connecting the water cooler and bottle filling stations to supply line pressures lower than 30 psi or higher than 90 psi is not covered by this Limited Warranty. If the coolers or water filling stations, as applicable, are altered, modified, or combined with any other machine or devise this Limited Warranty is null and void. **Caution: alteration or modification of the coolers and/or water filling stations may cause serious flooding and/or hazardous electrical shock or fire.**

5. LICENSE. If the water cooler or bottle filling station includes embedded software, the owner and those using the product are granted a limited, restricted, non-exclusive, non-transferable, non-sublicensable license to use such embedded software solely for the operation of the product in owner’s business and not for any commercial purpose. Haws retains title to the embedded software and all intellectual property rights therein and in any derivatives thereof. The owner and those using the product shall not remove or alter notices, legends or trademarks contained in the embedded software, nor shall they translate, reverse engineer, decompile or disassemble the embedded software except to the extent applicable law specifically prohibits this restriction. Any use of such embedded software not contemplated herein will void this Limited Warranty. The embedded software is provided “as is” and no warranty is provided by Haws. Haws will provide further information concerning this license upon request sent to the address set forth herein.

Product Details:

- ✓ Cooler Model Number: _____
- ✓ Serial Number: _____
- ✓ Date of Installation: _____
- ✓ Location: _____
- ✓ Building: _____
- ✓ State: _____
- ✓ Installed By: _____