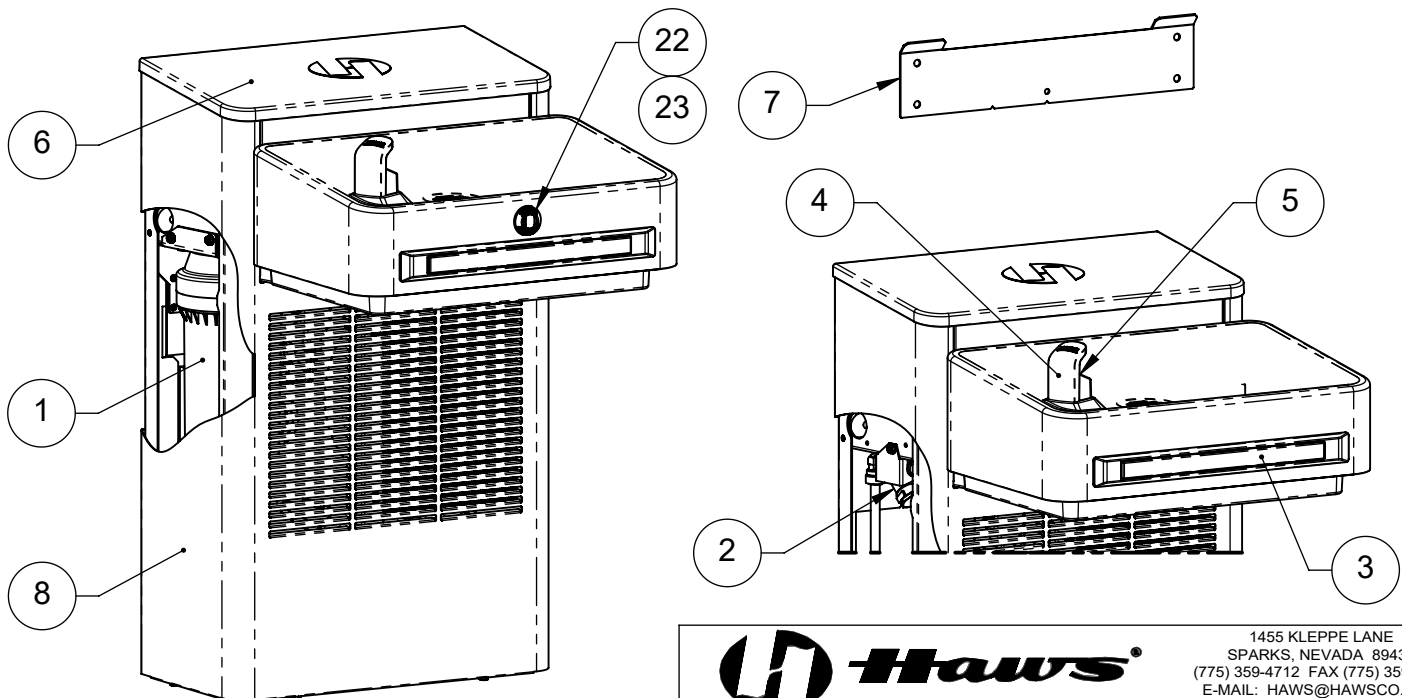



THIS DOCUMENT IS TRUE AND CORRECT AT TIME OF PUBLICATION. CONTINUED PRODUCT IMPROVEMENTS MAKE SPECIFICATIONS AND MEASUREMENTS SUBJECT TO CHANGE WITHOUT NOTICE.

ITEM	DESCRIPTION	1201S	1201SF/ 1201SFH	1202S	1202SF/ 1202SFH	1211S/ 1211SH	1211SF/ 1211SFH	1212S/ 1212SH	1212SF/ 1212SFH
1	FILTER		6428		6428		6428		6428
2	Y-STRAINER	6437		6437		6437		6437	
3	PUSH BUTTON ASSEMBLY	PBA10	PBA10	PBA10	PBA10	PBA10	PBA10	PBA10	PBA10
4	BUBBLER HEAD (FLEXIBLE)	5715	5715	5715	5715	5715	5715	5715	5715
	BUBBLER HEAD (OPTIONAL VANDAL-RESISTANT STAINLESS STEEL)	5716	5716	5716	5716	5716	5716	5716	5716
5	BUBBLER NOZZLE (PLASTIC)	RK5715	RK5715	RK5715	RK5715	RK5715	RK5715	RK5715	RK5715
	BUBBLER NOZZLE (OPTIONAL STAINLESS STEEL)	RK5716	RK5716	RK5716	RK5716	RK5716	RK5716	RK5716	RK5716
6	EWC CAP	0410000282	0410000282	0410000282	0410000282			0410000282	0410000282
7	EWC MOUNTING BRACKET	0410000264	0410000264	0410000264	0410000264	0410000264	0410000264	0410000264	0410000264
8	SINGLE EWC SKIRT	SK11	SK11			SK11	SK11		
9	HI-LO EWC LOWER SKIRT			SK13	SK13			SK13	SK13
10	HI-LO EWC UPPER SKIRT			SK12	SK12			SK12	SK12
11	FEED-THROUGH COVER			0410000280	0410000280			0410000280	0410000280
12	SOLENOID VALVE	5876	5876	5876	5876	5876	5876	5876	5876
13	FAN BLADE	HC111	HC111	HC111	HC111	HC111	HC111	HC111	HC111
14	FAN MOTOR	HC117	HC117	HC117	HC117	HC117	HC117	HC117	HC117
15	THERMOSTAT	5810	5810	5810	5810	5810	5810	5810	5810
16	COMPRESSOR THERMAL PROTECT	HC115	HC115	HC115	HC115	HC115	HC115	HC115	HC115
17	COMPRESSOR START RELAY	HC116	HC116	HC116	HC116	HC116	HC116	HC116	HC116
18	BOTTLE FILLER DRAIN BASIN					0410000286	0410000286	0410000286	0410000286
19	BOTTLE FILLER ASSEMBLY					1930	1930	1930	1930
20	BOTTLE FILLER NOZZLE					VRKNOZ1	VRKNOZ1	VRKNOZ1	VRKNOZ1
21	BOTTLE FILLER MOUNTING BRACKET					0410000265	0410000265	0410000265	0410000265
22	BOWL SENSOR (H MODELS ONLY)		0210000998		0210000998	0210000998	0210000998	0210000998	0210000998
23	BOWL SENSOR BEZEL (H MODELS ONLY)		0310000364		0310000364	0310000364	0310000364	0310000364	0310000364

PARTS BREAKDOWN VIEWS ARE REPRESENTATIVE ONLY. YOUR MODEL MAY VARY. SEE NEXT SHEET FOR ADDITIONAL PARTS.





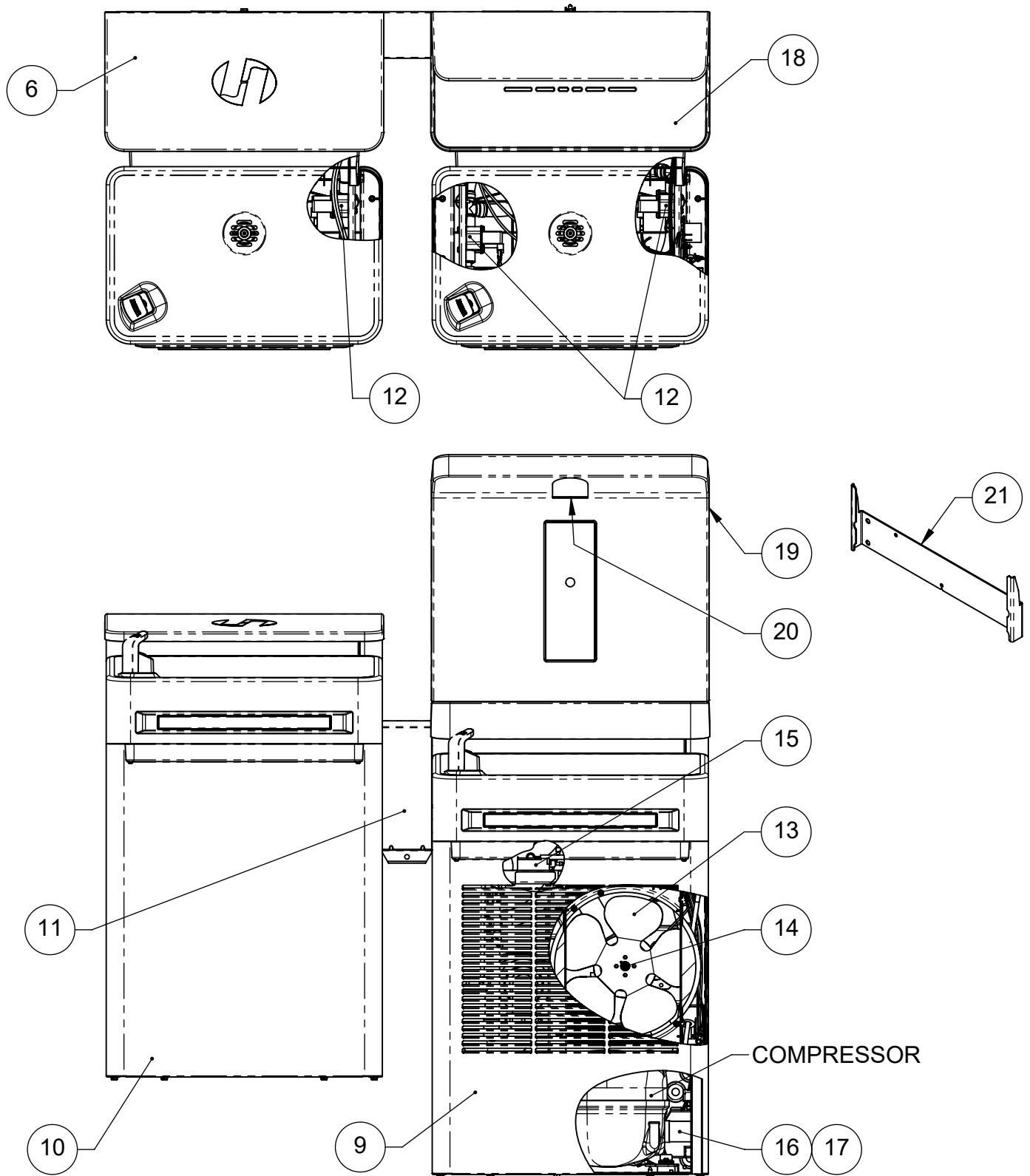
Haws


1455 KLEPPE LANE
SPARKS, NEVADA 89431
(775) 359-4712 FAX (775) 359-7424
E-MAIL: HAWS@HAWSO.COM
WEBSITE: WWW.HAWSO.COM

ECN: 5343	REV. ECN: 5567	BY: DHP	MODEL(S)	PART NUMBER
DRAWN: JL	DATE: 07/25/18	CHKD: DHP	12XX ELECTRIC WATER COOLERS	0510000866
APPROVED: IR	DATE: 08/31/20		SCALE: 1:8	REVISION: 4
			DRAWING TYPE: PARTS BREAKDOWN	SIZE: A
				SHEET 1 OF 2

WHEN ORDERING PARTS, PLEASE SPECIFY PART NUMBER

PARTS BREAKDOWN VIEWS ARE REPRESENTATIVE ONLY. YOUR MODEL MAY VARY. SEE PREVIOUS SHEET FOR PART NUMBERS & ADDITIONAL PARTS.



 Haws®		1455 KLEPPE LANE SPARKS, NEVADA 89431 (775) 359-4712 FAX (775) 359-7424 E-MAIL: HAWS@HAWSO.COM WEBSITE: WWW.HAWSO.COM	
		ECN: 5343 DRAWN: JL APPROVED: IR	REV. ECN: 5567 DATE: 07/25/18 DATE: 08/31/20
WHEN ORDERING PARTS, PLEASE SPECIFY PART NUMBER			PART NUMBER: 0510000866 REVISION: 4
© 2020 Haws Corporation - All Rights Reserved. HAWS® and other trademarks used in these materials are the exclusive property of Haws Corporation.		SCALE: 1:8 DRAWING TYPE: PARTS BREAKDOWN SIZE: A SHEET 2 OF 2	